

~~2-1-43~~
New

ILLUSTRATED PARTS CATALOG

for

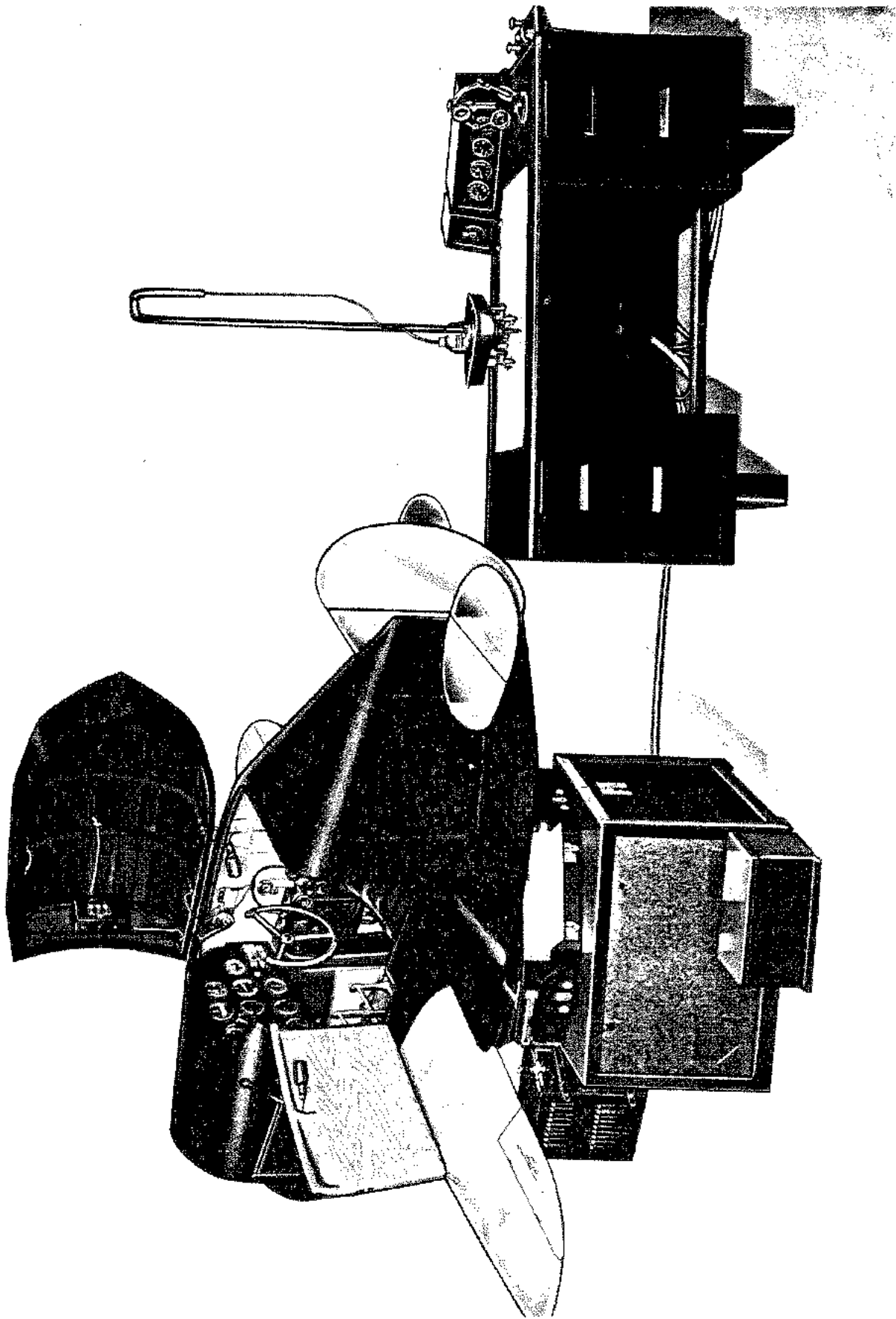
Link Instrument Flying Trainers



LINK AVIATION DEVICES, INC.

BINGHAMTON, N. Y.

JUNE 1, 1943



Instrument Flying Trainer, AN-2550-1

NOTE

All type designations used in this parts catalog have been assigned to Trainers by Link Aviation Devices, Inc. and should not be confused with type designations assigned to Trainers by the Army Air Forces. For example: the Link Type "C" is referred to as Type "C-2" by the Army Air Forces. The Link Type "E Sp." is referred to as Type "C-4" by the Army Air Forces. The Link Type "C-2" is not the same as the Army Air Forces "C-2" designations.

The following table of Trainer type designations gives all Link Aviation Devices type designations (as used in this parts catalog) with corresponding Army Air Forces, U.S. Navy, and British designations:

Link Instrument Flying Trainer Type Designations

<u>Link Aviation Devices, Inc.</u>	<u>Army Air Forces</u>	<u>U.S. Navy</u>	<u>British</u>
C	C-2	-	-
C-2*	-	-	-
C-3	C-3	-	-
C-5	C-5	-	-
E*	-	-	-
E Sp.†	C-4	E Sp.	-
E-1	E-1	-	-
E-2	E-2	-	-
D‡	-	-	-
D-1	-	-	D-1
D-2	-	-	D-2
AN-2550-1§	AN-2550-1	AN-2550-1	AN-2550-1

*Commercial model (not used by military services)

†Modified slightly for Army and Navy use

‡Export model

§Also referred to as Type AN-T-18

INTRODUCTION

The Illustrated Parts Catalog has been compiled in order that replaceable assemblies and parts which might be required for proper maintenance of Link Trainers may be readily identified and ordered by correct part number and nomenclature.

The Catalog consists of the following sections:

Section	Title	Pages
I.	Base	7--77
II.	Fuselage	78-238
III.	Desk and Recorders	239-318
IV.	Alphabetical Parts List	319-365
V.	Group Numbers	366-387

Sections I, II and III contain part numbers, illustrations and nomenclature of replaceable parts and assemblies. Part numbers may be easily identified by reference to the illustrations preceding the pages containing the nomenclature and part numbers.

Section IV contains an alphabetical list of all the parts and assemblies listed and illustrated in Sections I, II and III.

Section V contains a list of Group Numbers. Each Group Number represents all the parts and assemblies necessary for the installation of a complete new mechanism or engineering improvement. The use of these Group Numbers when ordering equipment listed in Section V will eliminate the delay and possible errors involved in identifying and listing all the necessary parts.

ILLUSTRATIONS INDEX

Section I (Base)

Part No.	Nomenclature	Page
6867	Bank Assembly, Turning Motor (Left)	68
6868	Bank Assembly, Turning Motor (Right)	68
	Base Assembly	7
11170	Base Assembly, Standardization Trainer	8
	Belt and Tightener Assembly	9
11175	Box Assembly, Base Terminal	26-27-28
12794	Box Assembly, Base Terminal "C-3"	18-21-23
8622	Box Assem., Base Terminal Type "D-1"	17-18-21
9426	Box Assembly, British D-2 Base Terminal	18-21-23
8620	Box Assem., "C" Base Terminal	17-18-21
8621	Box Assem., C-2, D, E Base Terminal	17-18-21
2198	Box Assembly, Tool and Step	70
10999	British Wind Drift Unit Assembly, Complete	36-38-40-42
6707	Contactora	32
10550	Control Assembly, Electric Throttle	44
	Hose	62
	Installation, Base Teletorque	58
12750	Installation, Leveling Device	60
	Main Bellows, Turbine, Spindle and Collector	
	Ring Assembly	50-53
C-1536	Motor Assembly, Turning	64
7645	Motor Assembly, Turning	66
7820	Shaft Assembly, Standardization Trainer	
	Bearing Housing	56
5642	Step Assembly	70
7438	Step Assembly, Trainer	71
5805	Telegon Oscillator Assembly	12-13
	Tool Kit	75
7339	Transformer, Constant Voltage	14
8590	Turbine, Compressor	46
6903	Turbine Motor Assembly	48
1506	Universal Assembly	72
	Wind Drift and Associate Units	34
11000	Wind Drift Unit Assembly, Complete	36-38-40-42

Section II (Fuselage)

Part No.	Nomenclature	Page
	Air Speed Transmitter and Air Speed Indicators	218
	Automatic Bank with Turn Mechanism with Automatic Nose-Drop Type Rudder Valve	109

ILLUSTRATIONS INDEX

Part No.	Nomenclature	Page
8654	Bar Assem., Rudder-Complete	99
C-2015	Bar Assem., Rudder Complete	99
8563	Bellows Assembly, Air Speed Regulator	111
8606	Bellows Assembly, Tachometer Regulator	111
9431	Bellows Assembly, Turn Indicator Regulator	112
12782	Box Assembly, C-3 Fuselage Interconnector	145
7691	Box Assembly, Fuselage Control	173
11138	Box Assembly, Fuselage Control Complete	171
12858	Box Assembly, Fuselage Control C-3	158-160
10330	Box Assembly, Fuselage Control Electrical C-5	198-199
8586	Box Assembly, Fuselage Control Type C-2	154
5203	Box Assembly, Fuselage Control Type D	151
9113	Box Assembly, Fuselage Control Type E	156
11117	Box Assembly, Fuselage Control Type "E-1"	165
9610	Box Assem., Fuselage Type C, C-2	168
9611	Box Assembly, Fuselage Type D, D-1, D-2	162
9609	Box Assembly, Fuselage Type E, E Sp.	165
7800	Box Assembly, Interconnector	146
10315	Box Assembly, Interconnector	193
11128	Box Assembly, Remote Instrument Junction	204
9420	Box Assembly, Remote Instrument Junction Type C-3	202
8876	Bracket and Lever Assem., Bank Turn Inter. C-5 Trainer Sub-Assembly and Cable Layout	116 190
	Cable Assemblies, Army Localizer, Navy Cross Pointer, British Flight Path and Special Army Localizer	177
10234	Chassis Assembly, Fuselage Power Supply Climb-Dive Tank Protective Sack and Apron Octagon Skirt and Pitot Lamp	194-196 140
C-4001	Control Assembly, Wheel	80
8139	Control Assembly, Wheel	85
7692	Cover, Assembly, Electrical Parts Fuselage Control Box	175
	Cross Pointer Indicator	237
5851	Deflector Assembly	148
9633	Deflector Assem., English "D" Compass	148
	Directional Control	101-104
	Directional Gyro	220
	Elevator Walking Beam Assembly	142
5528	Elbow Assembly, Air Conductor	93
10852	Elbow Assembly, Air Conductor C-3 Trainer	92
9187	Fan, Ventilating	216
C-2095	Generator Assembly, Rough Air	95
7135	Head Set Assembly, C-3 Trainer	209
7136	Head Set Assembly, Type C, D, E, Trainer	209
9570	Horizon Assembly, Artificial	228
5036	Indicator Assembly, Marker Beacon	230
5580	Indicator, Flight Path Type #1	226
8998	Installation, Interchangeable Wheel and Stick Control	88

ILLUSTRATIONS INDEX

Part No.	Nomenclature	Page
9436	Installation, Landing Flap, Propeller Pitch and Undercarriage	214
8224	Key Assembly, Transmitting	152
12795	Lamp and Lampholder, Fluorescent	207
	Landing Path Indicator	236
C-2237	Light Assembly, Instrument (Left)	206
8767	Light Assembly, Instrument (Right)	206
	Magnetic Compass	232
5533	Manifold Assembly	91
	Marker Beacon Lamp Assembly	230
11257	Microphone Assem., Military Type Hand Special	210
7138	Microphone Assembly, Type C, D, E Trainer	209
7137	Microphone Assembly, Type C-3, C-5 Trainer	209
	Microphone and Headset Assemblies	212
9073	Motor Assembly, Rough Air	143
9631	Panel Assembly, British Type D-1 and D-2 Instrument	181
12884	Panel Assembly, C-3 Instrument	180
12807	Panel Assembly, C-3 Remote Instr. Trans. Mounting	186
9385	Panel Assembly, C-3 Standard Instrument	180
10465	Panel Assembly, C-5 Instrument	179
5518	Panel Assembly, Instrument British Type "D"	181
8936	Panel Assembly, Instrument Electrical Parts Type "E" U.S. Army	182
C-2189-A	Panel Assembly, Instrument Type "C"	179
8560	Panel Assembly, Instrument Type "C-2"	179
5461	Panel Assembly, Instrument Type "D"	180
8553	Panel Assembly, Instrument Type "E"	181
8935	Panel Assembly, Instrument Type "E" Navy Electrical Parts	182
11173	Panel Assembly, Remote Instrument Transmitter Mounting	188
9672	Panel Assembly, Standard "E" Trainer Navy Instrument	182
11118	Panel Assembly, Standard Electrical Parts	182
9669	Panel Assembly, Standard Instrument "E"	181
9663	Panel Assembly, Type "C-2" Instrument	179
9666	Panel Assembly, Type "D" Instrument	180
9675	Panel Assembly, Type "E" U.S. Army Instrument	182
8653	Pitch Action Assembly	97
	Pitch Action and Instrument Control System	107
	Radio Compass	233-234-235
5760	Rectifier Assem., Compass Deflector	148
8715	Rod Assembly, Bank Turner Link	116
	Runway Localizer	238
	Sensitive Altimeter Transmitter and Sensitive Altimeter Indicator	219
8463	Spin Strip Assembly, Bank Turner	114
C-2037	Stick Assembly, Control	78

ILLUSTRATIONS INDEX

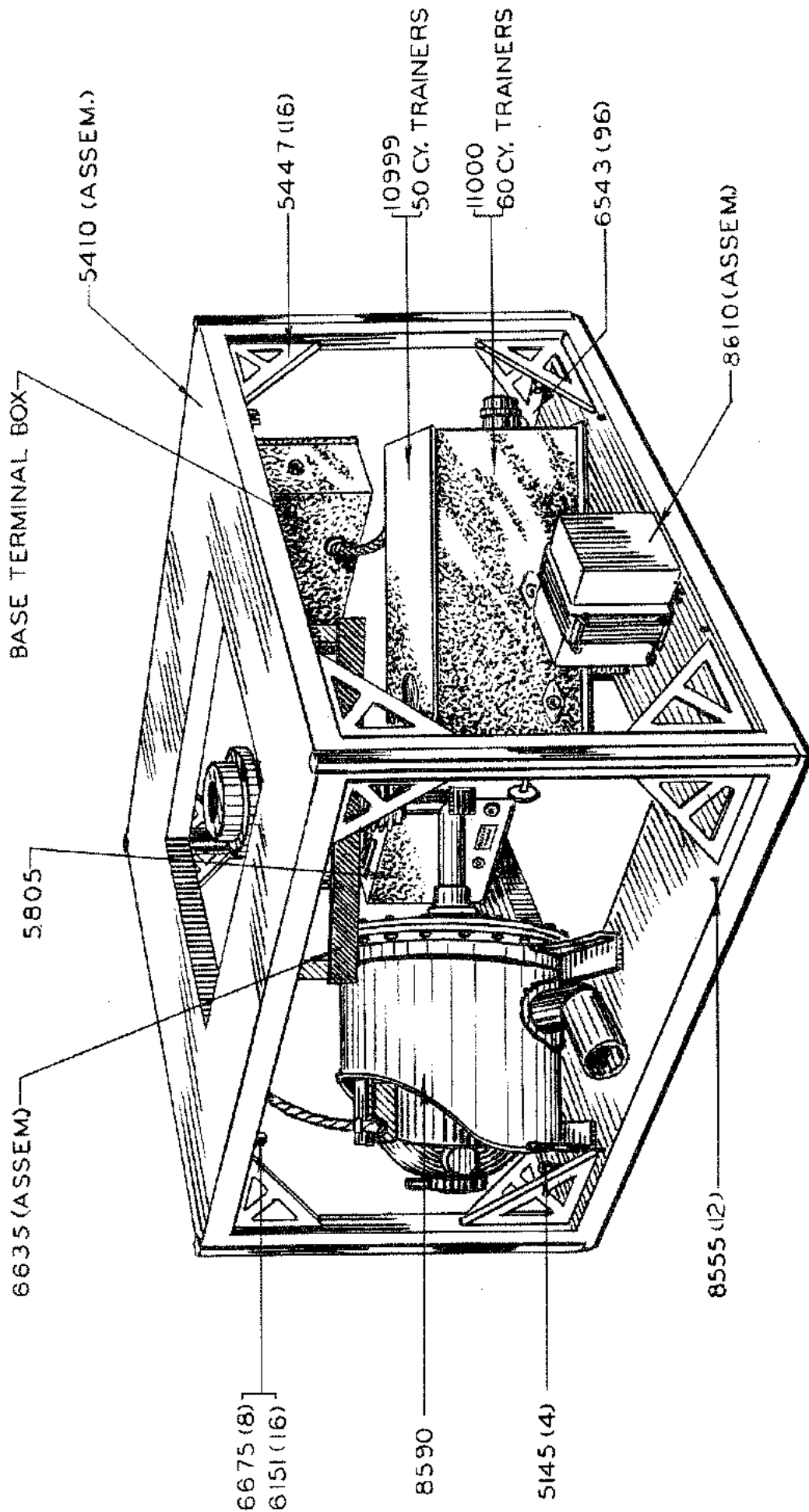
Part No.	Nomenclature	Page
8136	Stick Assembly, Control	83
	Tachometer	221
7570	Tank Assembly, Air Speed	138
7569	Tank Assembly, Climb-Dive	138
8580	Throttle Assembly	137
	Turn and Bank Indicators (Two-needle-width and one-needle-width)	222
8335	Valve Assembly, Aileron Automatic Bank Type	120
8361	Valve Assembly, Auto Nose Drop Type Rudder	118
8080	Valve Assembly, Climb	129
8691	Valve Assembly, Climb-Dive	127
8075	Valve Assembly, Dive	129
C-2066	Valve Assembly, Elevator	122
11071	Valve Assembly, Gyro and Turn Indicator	125
C-2682	Valve Assembly, Spin	123
7189	Valve Assembly, Stall	133
7192	Valve and Bellows Assembly, Stall	132
5552	Valve and Bellows Assembly, Stall	131
	Vertical Speed Transmitter and Vertical Speed Indicator	217

Section III (Desk and Recorders)

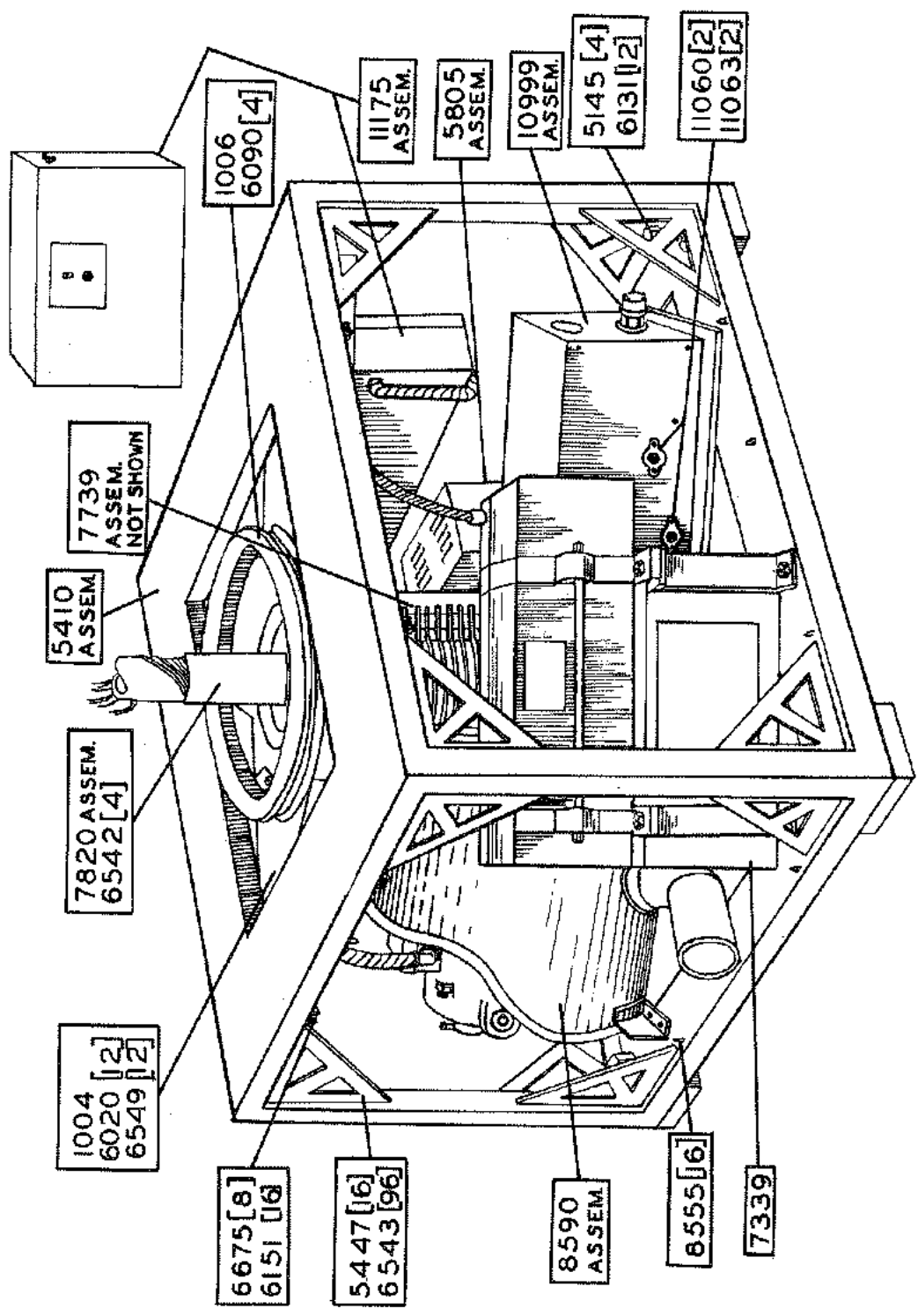
Part No.	Nomenclature	Page
8731	Automatic Recorder Assembly, Type "C" Trainer	276
8732	Automatic Recorder Assembly, Type "D" Trainer	276
	Automatic Recorder Motor and Collector Assembly	291
12860	Box Assembly, C-3 Desk Junction	270
9382	Box Assembly, C-3 Recorder Packing	317
11186	Box Assembly, Desk Junction	272-274
11099	Box Assembly, Landing Marker Indicator	308
8220	Box Assem., Remote Selector Switch	308
8597	Cable Assembly, Remote Instrument Case	315
8666	Case Assembly, Remote Instruments	310
12833	Case Assembly, Remote Instrument Type C-3 Trainer	314
11192	Case Assembly, Standardization Remote Instruments	312
12769	Chassis Assembly, C-3 Radio Control	247-249
10350	Chassis Assembly, Desk Power Supply	252-268
10348	Chassis Assembly, Type C-5 Control	252-255
C-2805	Control Assembly, Radio Compass	281
	Desk Drawer (Minus Radio and Keyer)	306
	Keyer Assemblies	296
10481	Keyer Assembly	298-300
10475	Radio Assembly	258-261
8814	Radio Assem., Type "C" and "C-2"	239-245
5216	Radio Assem., Type "D" and "E"	242-245

ILLUSTRATIONS INDEX

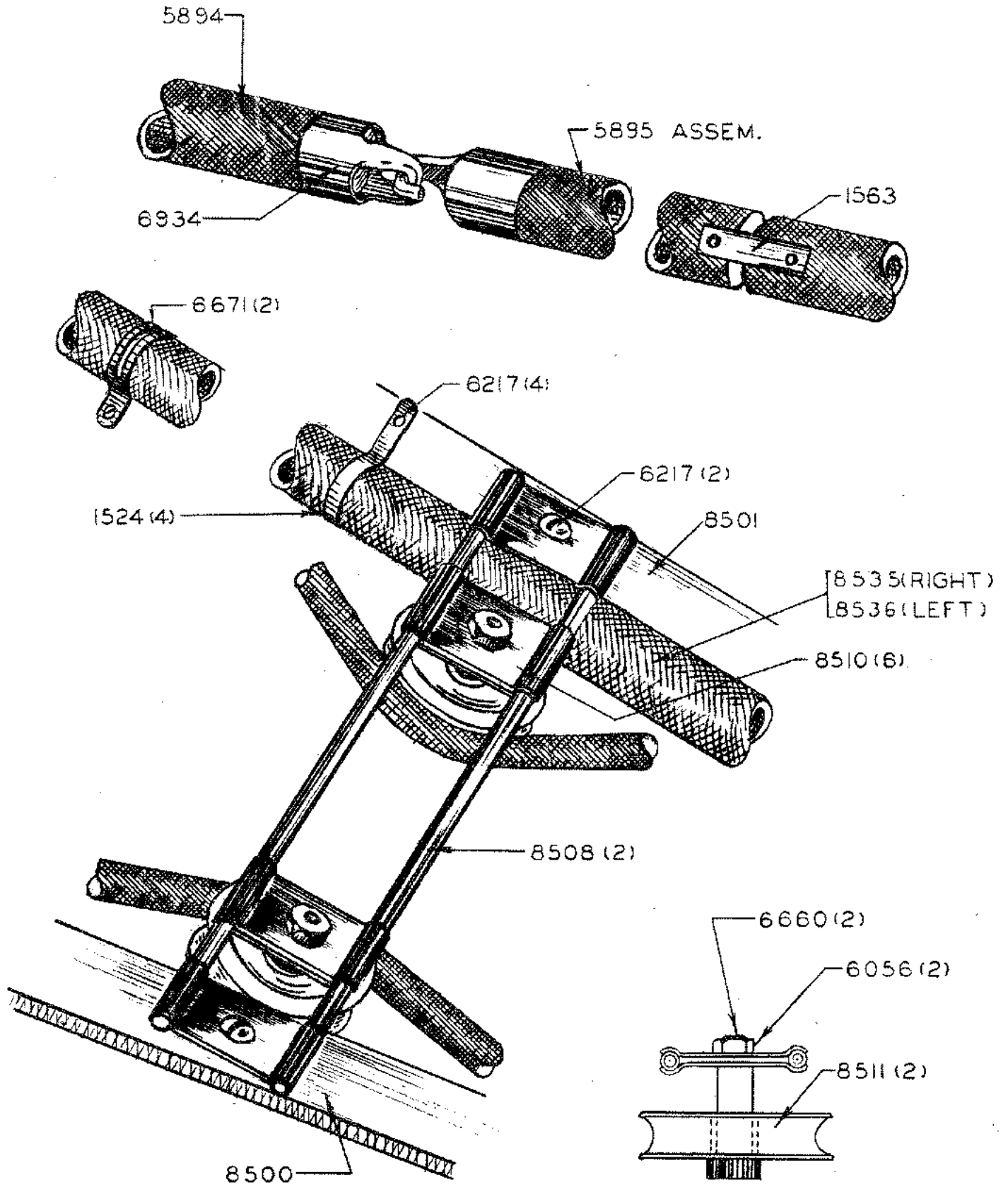
Part No.	Nomenclature	Page
11011	Radio Assem., Type E-1	245
9230	Recorder Assembly, British - W.D. - Trainer	284
11171	Recorder Assembly, Standardization Trainer Automatic	287-288
9105	Recorder Assembly, Type C-3 Auto.	279-280
9458	Recorder Assembly, Type "D" 50-Cycle	284
9457	Recorder Assem., Type "D" 60-Cycle	284
8376	Recorder Assembly, Type "E" 50-Cycle	284
9459	Recorder Assem., Type "E" 60-Cycle	284
9596	Recorder Assembly, Type "E" 60-Cycle Wind Drift	284
11068	Recorder Assem., Type "E" - 110 Volts - 60-Cycle	284
10095	Transmitter Assembly, C-5 Radio	252-264-266
7765	Transmitter Assembly, Radio Compass	293-294
	View of Contact Assemblies	302



BASE ASSEMBLY



III70 BASE ASSEMBLY, STANDARDIZATION TRAINER



BELT AND TIGHTENER ASSEMBLY

Base Assembly

(Used on all Trainer Models Except AN-2550-1)

Part No.	Nomenclature
5145	Bolt Assembly, Trainer Leveling
5410	Base Frame Assembly
5447	Brace, Base Corner
5805	Telegon Oscillator Assembly
6151	Screw, R.H.I.W. #6 x 1/2" Cad. Plt.
6543	Screw, R.H.I.W. #10 x 1" Cad. Plt.
6635	Heater, Electric Space (Note: Used on D1, D2 Trainer Models)
6675	Catch, Cabinet Spring Plunger
8555	Pin, Base Panel Retainer
8590	Turbine, Compressor
8610	Transformer Assembly, Base Step-Down Power (Note: Used with 220-Volt Supply)
10999	British Wind Drift Unit Assembly, Complete (Note: Used on all 50-Cycle Trainer Models & AN-2550-1)
11000	Wind Drift Unit Assembly, Complete (Note: Used on all 60-Cycle Trainer Models except AN-2550-1)

11170 Base Assembly, Standardization Trainer

(Used on AN-2550-1 Trainer Models)

Part No.	Nomenclature
1004	Cross, Base
1006	Sheave, Base
5145	Bolt Assembly, Trainer Leveling
5410	Base Frame Assembly
5447	Brace, Base Corner
5805	Telegon Oscillator Assembly
6020	Bolt, Step #5/16-18 x 2-1/2" Black Finish
6090	Screw, R.H.I.M. #1/4"-20 x 1" Cad. Plt.
6131	Screw, R.H.I.W. #8 x 1" Cad. Plt.
6151	Screw, R.H.I.W. #6 x 1/2" Cad. Plt.
6542	Screw, 3/8"-16 x 1-1/4" Hexagon Cap - St. Cad. Plt.
6543	Screw, R.H.I.W. #10 x 1" Cad. Plt.
6549	Nut, Square Iron #5/16"-18
6675	Catch, Cabinet Spring Plunger
7339	Transformer, Constant Voltage
7739	Housing Assembly, Base Teletorque
7820	Shaft Assembly, Standardization Trainer Bearing Housing

11170 Base Assembly, Standardization Trainer (Continued)

(Used on AN-2550-1 Trainer Models)

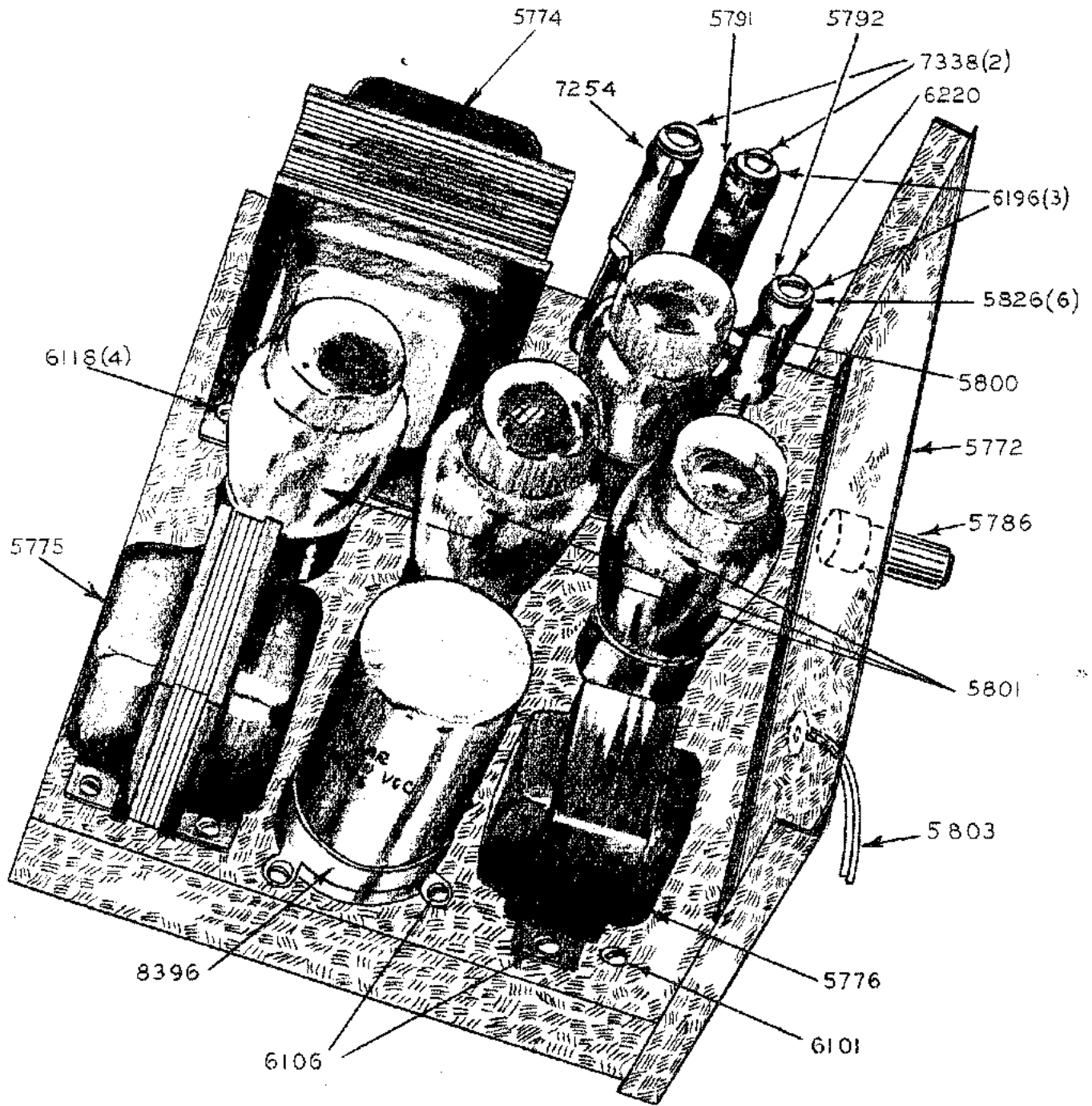
Part No.	Nomenclature
8555	Pin, Base Panel Retainer
8590	Turbine Compressor
10999	British Wind Drift Unit Assembly, Complete
11060	Drive Assembly, Right Angle Control
11063	Nut, 5/8-28 Lock
11175	Box Assembly, Base Terminal Electrical Parts

Belt and Tightener Assembly

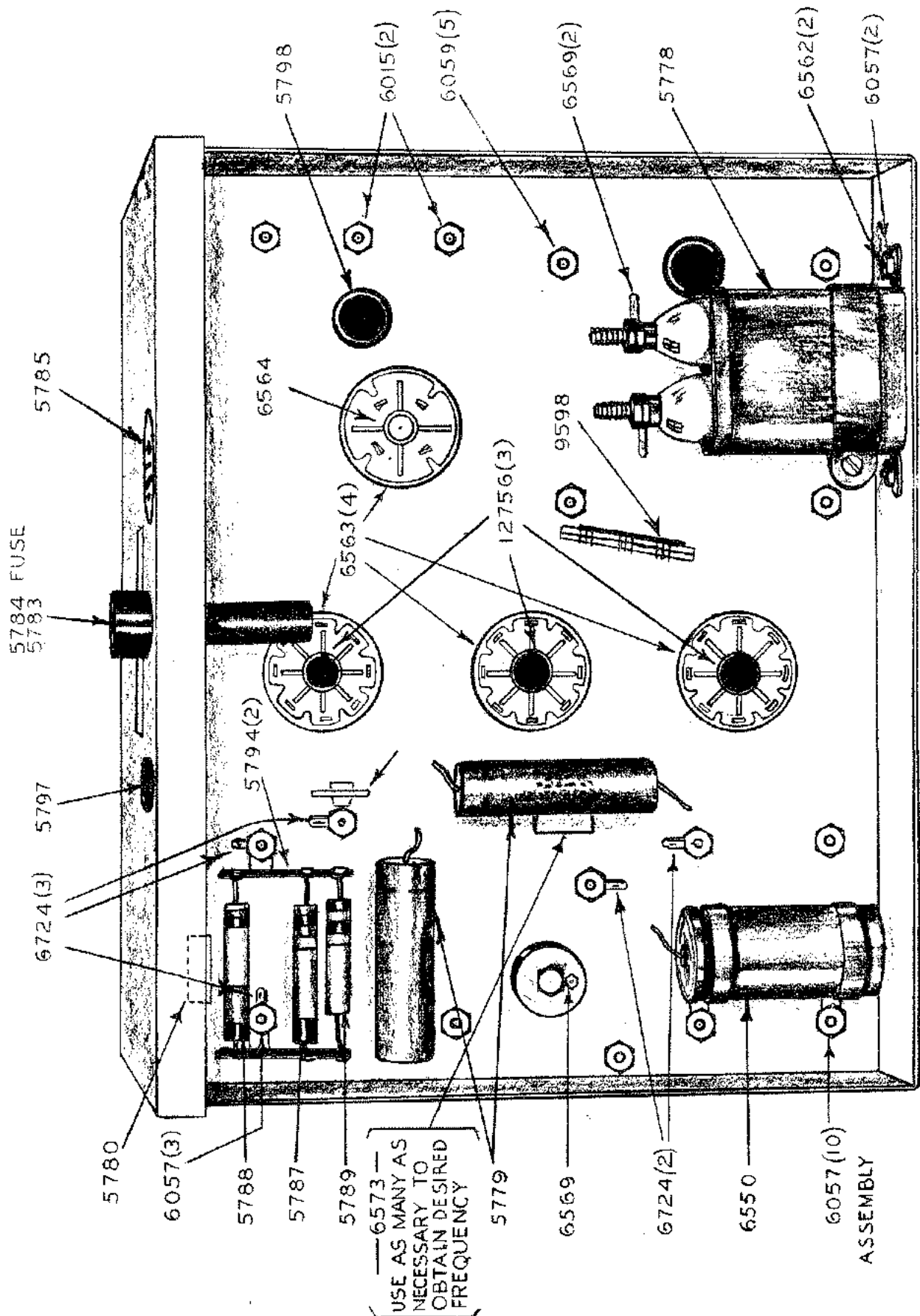
(Used on all Trainer Models)

Part No.	Nomenclature
1524	Strap, Hose Retainer
*1563	Link, Belt
5894	Belt, Turning Motor
5895	Belt Assembly, Turning Motor
6056	Nut, Hexagon Iron #3/8"-16 x 5/8" x 1/4" Cad. Plt.
6217	Screw, R.H.I.M. #1/4"-20 x 5/8" Cad. Plt.
6660	Bolt, Socket Head Stripper
6671	Clamp, 1-1/8" Dia. Hose
6934	Coupling, Belt
8500	Mount, Turning Motor (Right)
8501	Mount, Turning Motor (Left)
8508	Rod, Belt Tightener
8510	Plate, Belt Tightener Clamp
8511	Pulley Assembly, Belt Tightener
8535	Hose, Turning Motor-Right
8536	Hose, Turning Motor-Left

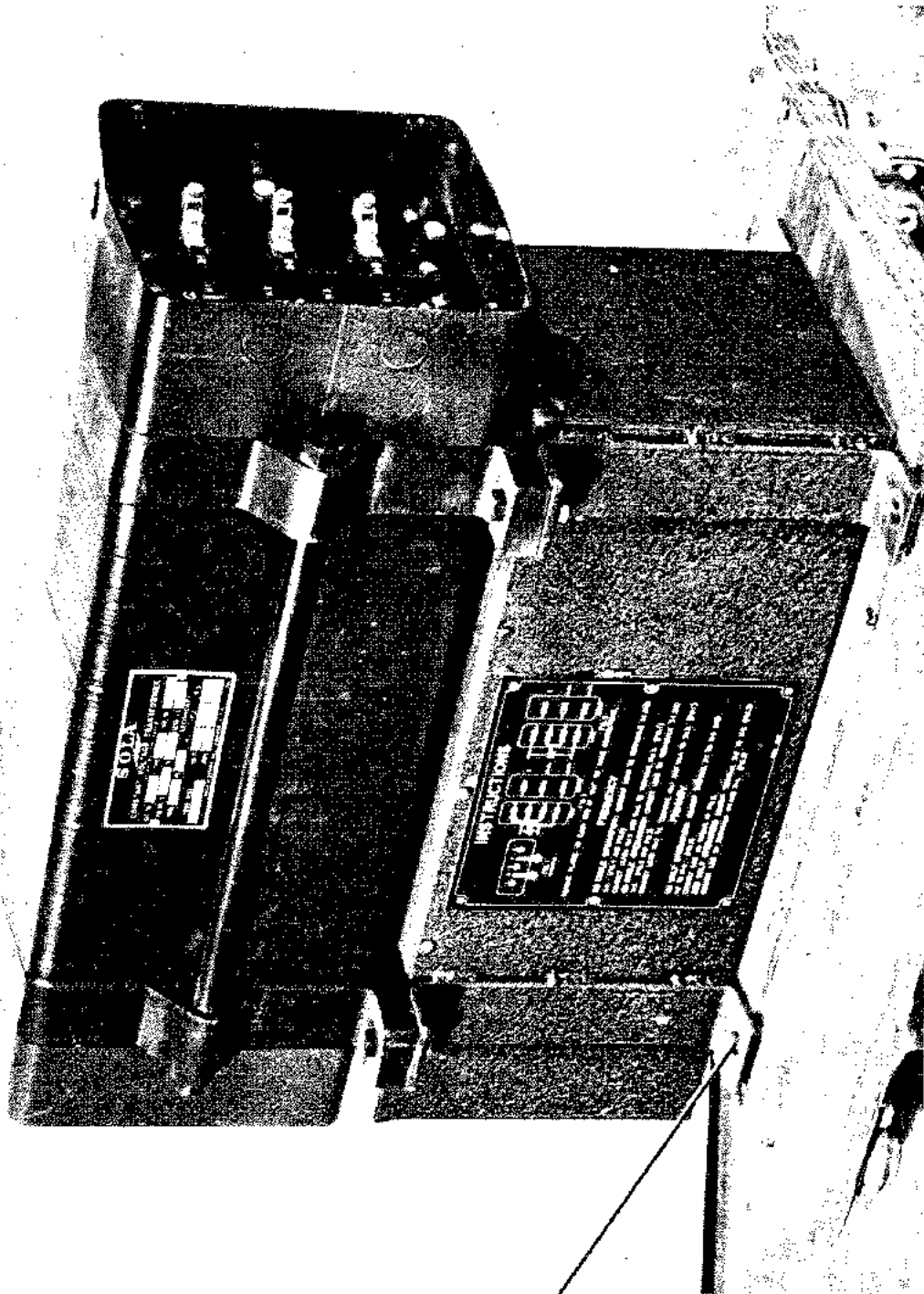
*Note: Parts marked with an asterisk are obsolete. They are either available for service or a substitution of recent design may be made.



5805 TELETON OSCILLATOR ASSEMBLY
(TOP VIEW)



5805 TELEGON OSCILLATOR ASSEMBLY
(BOTTOM VIEW)



6793[4]
6549[4]

7339 TRANSFORMER, CONSTANT VOLTAGE

5805 Telegon Oscillator Assembly

(Top view of Assembly used on all Trainers except C Models.)

Part No.	Nomenclature
5772	Case, Telegon Oscillator
5774	Transformer, Telegon Oscillator-Power
5775	Transformer, Telegon Oscillator-Output
5776	Transformer, Telegon Oscillator Oscillation
5786	Cap, Male 3/8" 250 Volts, 10 Amp.
5791	Resistor, Wirewound 500 Ohms, 50 Watt
5792	Resistor, Wirewound 10,000 Ohms, 25 Watt
5800	Tube, Type-83V-Radio
5801	Tube, Type-6L6G-Radio
5803	Cable, #18 A.W.G.-2 Conductor Fixture
5826	Washer, Fibre, 5/16" Dia. Shoulder
6101	Screw, R.H.I.M. #6-32 x 1/4" Cad. Plt.
6106	Screw, R.H.I.M. #6-32 x 1/2" Cad. Plt.
6118	Screw, R.H.I.M. #10-32 x 3/8" Cad. Plt.
6196	Washer, 13/64" x 1/2" x .049" Steel Cad. Plt.
6220	Screw, R.H.I.M. #10-32 x 2-1/2" Cad. Plt.
7254	Resistor, Wirewound (Adjustable) 750 Ohms-50 Watt
7338	Screw, R.H.I.M. #10-24 x 4-1/2" Cad. Plt.
8396	Capacitor, 4 Mfd. 1000 Volts Oil

5805 Telegon Oscillator Assembly

(Bottom view of Assembly used on all Trainers except C Models.)

Part No.	Nomenclature
5778	Capacitor, .9 Mfd, 600 Volt Oil
5779	Capacitor, .05 Mfd. 1000 Volts Paper
5780	Capacitor, .001 Mfd. 1000 Volt Mica
5783	Post, Extractor Type Fuse
5784	Fuse, 3 Ampere
5785	Receptacle, Flush with Plate & Lock Ring
5787	Resistor, 200,000 Ohms-1 Watt
5788	Resistor, 400,000 Ohms-1 Watt
5789	Resistor, 500,000 Ohms-1 Watt
5794	Strip, 4-lug Terminal
5795	Strip, 1-Lug Terminal
5797	Grommet, Rubber 19/64" I.D.-7/16" O.D.
5798	Grommet, Rubber 3/8" I.D. x 1/2" O.D.
6015	Nut, Hexagon Iron #10-24 x 3/8" x 1/8" Cad. Plt.
6057	Nut, Hexagon Iron #6-32 x 5/16" x 7/64" Cad. Plt.
6059	Nut, Hexagon Iron #10-32 x 3/8" x 1/8" Cad. Plt.

5805 Telegon Oscillator Assembly (Continued)

Part No.	Nomenclature
6544	Screw, F.H.I.W. #10 x 1-1/2" Cad. Plt.
6550	Capacitor, Electrolytic 16 Mfd., 450 V., Working
6562	Screw, F.H.I.M. #6-32 x 1/4" Cad. Plt.
6563	Retainer, Tube Socket
6564	Socket, 4 Contact Standard
6569	Terminal, Solder Lug Flat Type, No. 10 Hole
6570	Wire, #20 Waxed Hook-Up
6573	Capacitor, Paper .01 Mfd. 400 Volts
6724	Terminal, Solder Lug Flat Type-#6 Hole
6739	Tubing, Saturated Sleeving .115-.105 I.D.
9598	Cable Assembly, Telegon Oscillator
12756	Socket, 8 Contact Black Bakelite

Mountings for this Assembly on Trainer Base

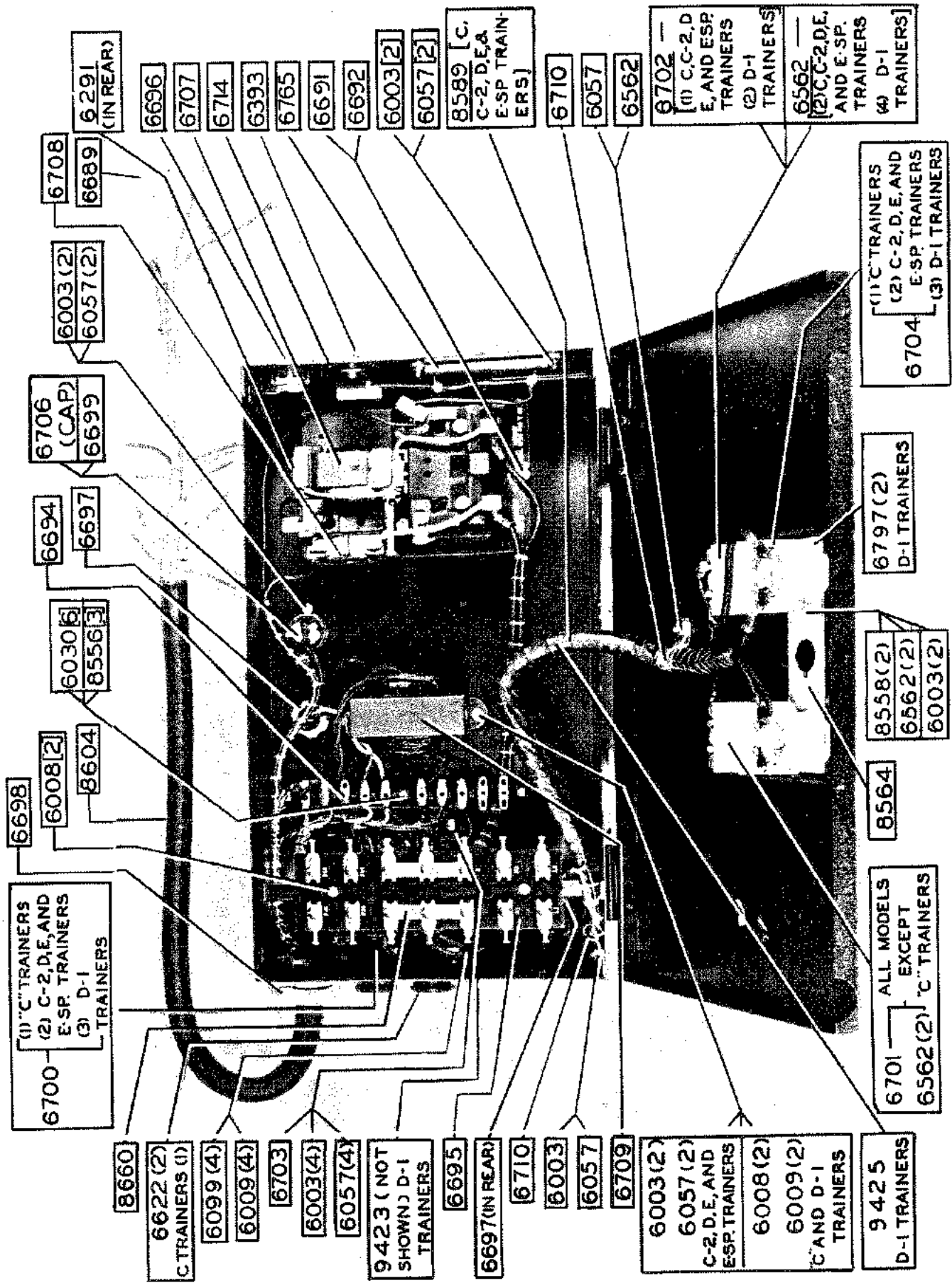
6544	Screw, F.H.I.W. #10 x 1-1/2" Cad. Plt.
------	--

7339 - Transformer, Constant Voltage

(Used on AN-2550-1 Trainer Models)

Mountings for this Assembly on Trainer Base

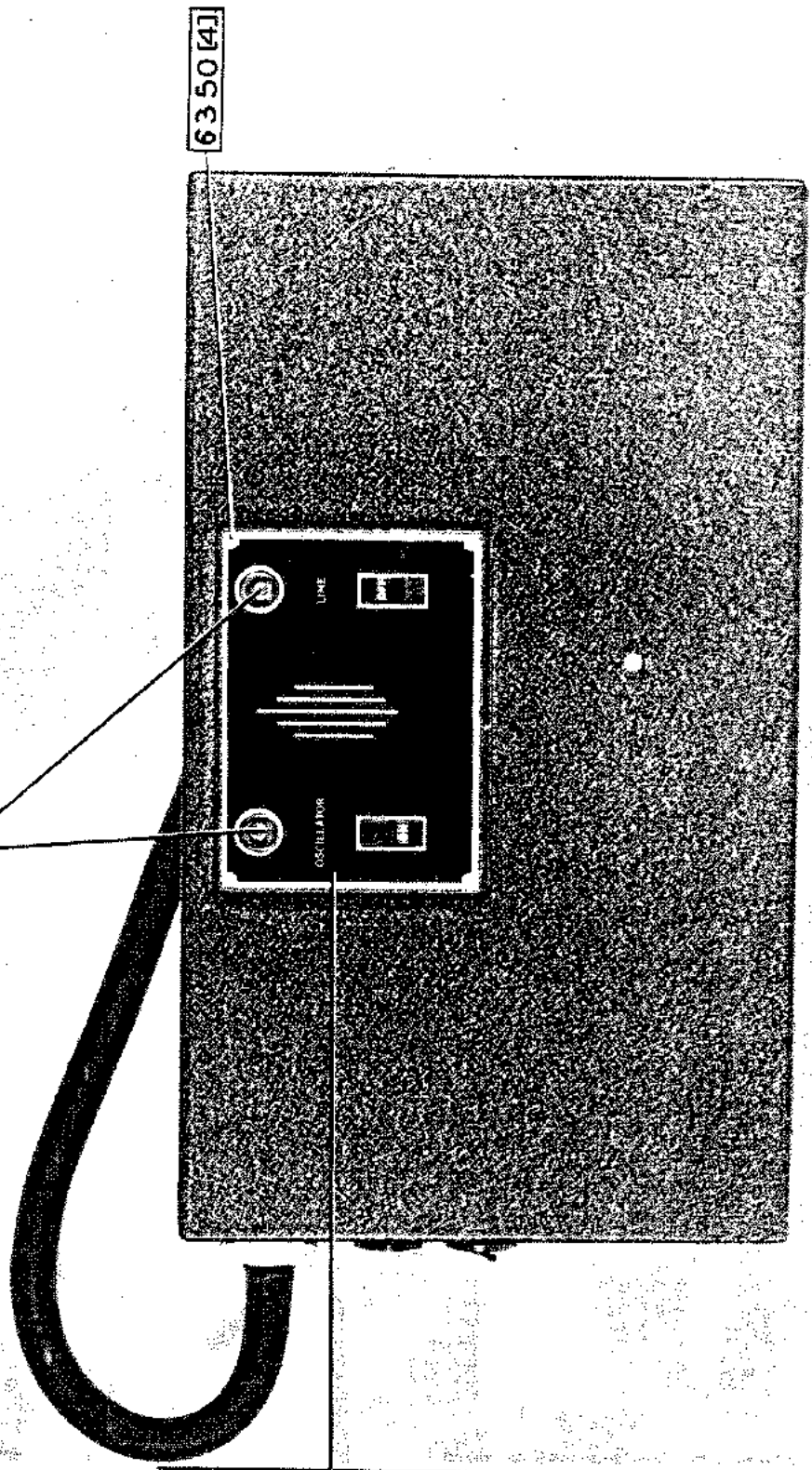
Part No.	Nomenclature
6549	Nut, Square Iron #5/16-18
6793	Washer, 17/64" x 25/32" x 3/32"



8621 BOX ASSEM, C-2, D, E BASE TERMINAL 8622 BOX ASSEM, BASE TERMINAL TYPE DI
 8620 BOX ASSEM, "C" BASE TERMINAL

5619 [1] "C" TRAINERS
 [2] C-2, C-3, C-5, D, E, E-1E-2 AND ESR TRAINERS
 [3] D-1 AND D-2 TRAINERS

8570 C-2, C-3, C-5, D, E, E-1E-2 AND ESR TRAINERS
 8693 D-1 AND D-2 TRAINERS
 8663 "C" TRAINERS



8621 BOX ASSEMBLY, C-2, D, E BASE TERMINAL 8622 BOX ASSEMBLY, BASE TERMINAL TYPE D-1
 12794 BOX ASSEMBLY, BASE TERMINAL "C-3" 9426 BOX ASSEMBLY, BRITISH D-2 BASE TERMINAL
 8620 BOX ASSEMBLY, "C" BASE TERMINAL

8620 Box Assembly, "C" Base Terminal

8621 Box Assembly, C-2, D, E Base Terminal

8622 Box Assembly, Base Terminal Type D-1

(Assembly No. 8620 is used on C Trainer Models.
Assembly No. 8621 is used on C2, D, E, Esp, Trainer Models.
Assembly No. 8622 is used on D1 Trainer Models.)

Part No.

Nomenclature

6003	Screw, R.H.I.M. #6-32 x 3/8" Cad. Plt.
6008	Screw, R.H.I.M. #8-32 x 3/8" Cad. Plt.
6009	Nut, Hexagon Iron #8-32 x 11/32" x 1/8" Cad. Plt.
6030	Screw, R.H.I.M. #8-32 x 1/4" Cad. Plt.
6057	Nut, Hexagon Iron #6-32 x 5/16" x 7/64" Cad. Plt.
6099	Screw, R.H.I.M. #8-32 x 3/4" Cad. Plt.
6291	Screw, R.H.I.M. #10-32 x 5/8" Cad. Plt.
6393	Switch, Single Pole Single Throw
6562	Screw, F.H.I.M. #6-32 x 1/4" Cad. Plt.
6622	Fuse, 3 Amp. Plug Type
6689	Terminal, Ring Type #4 Hole Solder Lug
6691	Stud, Contactor Mounting
6692	Bushing, Contactor Mounting Stud
6694	Terminal, Panel (Cross Connection)
6695	Terminal, Panel Line Connection
6696	Connector, Straight Conduit
6697	Connector, Universal Conduit
6698	Connector, Cable
6699	Receptacle, Midget Twistlock Female Base
6700	Receptacle, Fuse
6701	Switch, S.P.S.T.
6702	Switch, D.P.S.T.
6703	Socket, 33 Position
6704	Receptacle, Candelabra
6706	Cap, Polarized
6707	Contactor
6708	Heater, Contactor Unit
6709	Transformer, Base Autosyn Supply
6710	Clamp, Cable 5/8"
6714	Plate, Turbine Switch Name
6765	Resistor, Wire Wound 110 Ohms, 5.8-10.9 Watts
6797	Resistor, 75,000 Ohms, 1 Watt
8556	Spacer, 3/8" Dia. x #8-32 x 7/16"
8558	Spacer, 3/8" Dia. x #6-32 x 11/16"
8564	Plate, Pilot Light Mounting
8589	Cable Assembly, Base Terminal Box
8604	Cable Assembly, Base Terminal Box to Collector
8660	Jumper, Base Terminal Box

- 8620 Box Assembly, "C" Base Terminal (Continued)
8621 Box Assembly, C-2, D, E Base Terminal (Continued)
8622 Box Assembly, Base Terminal Type D-1 (Continued)

Part No.

Nomenclature

- 9423 Fuse, 6 Amp. Plug Type
 9425 Cable Assembly, British D-2 Base Terminal Box

- 8620 Box Assembly, "C" Base Terminal
8621 Box Assembly, C-2, D, E Base Terminal
8622 Box Assembly, Base Terminal Type D-1
9426 Box Assembly, British D-2 Base Terminal
12794 Box Assembly, Base Terminal "C-3"

(Assembly No. 8620 is used on C Trainer Models.
 Assembly No. 8621 is used on C2, D, E, Esp Trainer Models.
 Assembly No. 8622 is used on D1 Trainer Models.
 Assembly No. 9426 is used on D2 Trainer Models.
 Assembly No. 12794 is used on C3, C5, E1, E2 Trainer Models.)

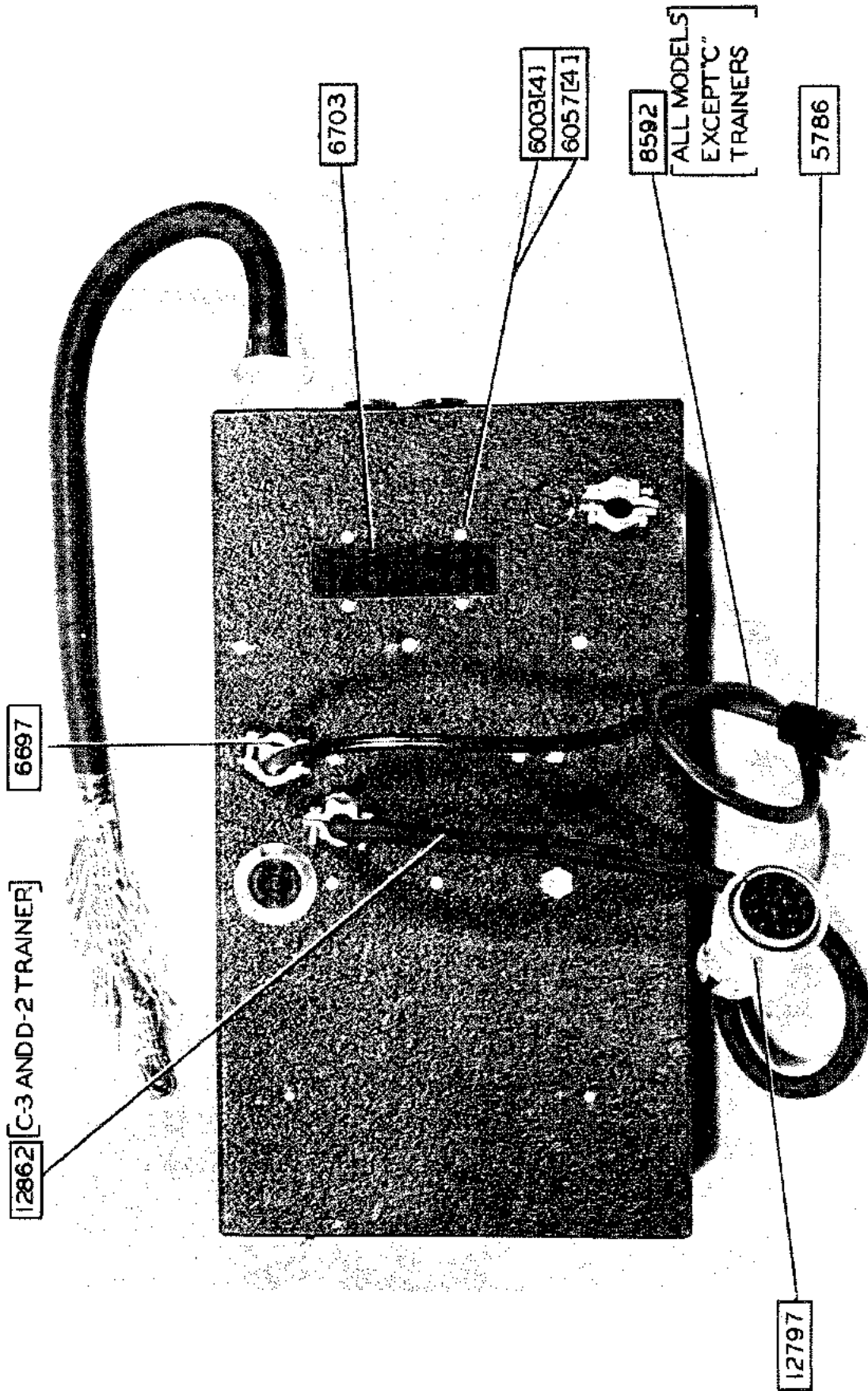
Part No.

Nomenclature

- 5619 Neon Lamp
 6350 Screw, BHI Parker Kalon #4 x 5/16 Type Z Self Tapping
 Cad. Plt.
 8570 Plate, Base Terminal Switch Name
 8663 Plate, Base Terminal Switch-Type "C"
 8693 Plate, Base Terminal Switch Name British Type "D"

Mountings for this Assembly in Trainer Base

- 6676 Bolt, Carriage with Nut
 6922 Nut, Hexagon Iron 5/16"-18 x 9/16" x 7/32" Cad. Plt.
 8557 Spacer, 11/32" x 5/8" x 3/4"

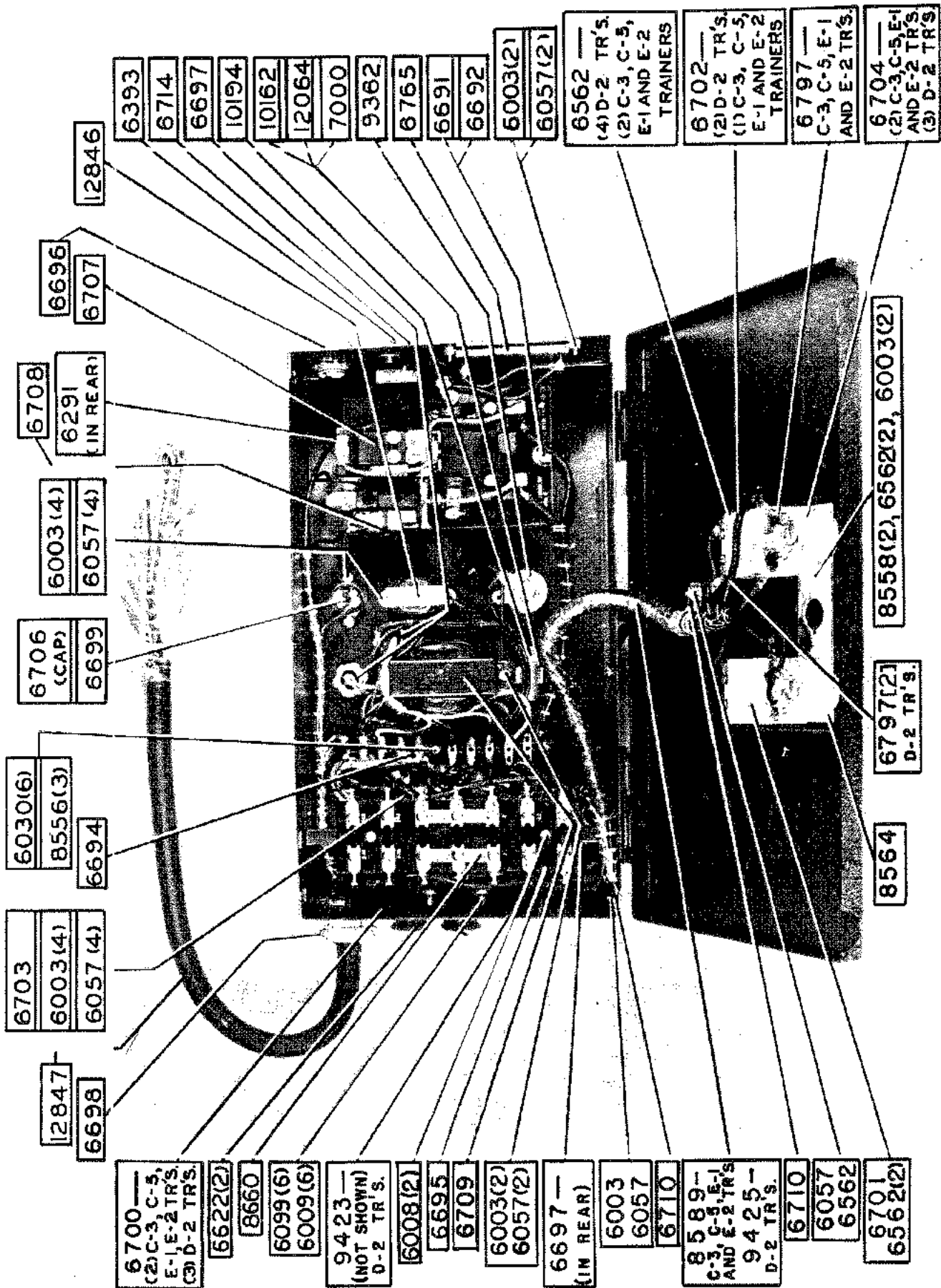


- 12862 [C-3 AND D-2 TRAINER]
- 6697
- 6703
- 6003[4]
- 6057[4]
- 8592 ALL MODELS EXCEPT C TRAINERS
- 12797
- 5786
- 8620 BOX ASSEMBLY, C- BASE TERMINAL
- 8621 BOX ASSEMBLY, C-2, D, E BASE TERMINAL
- 8622 BOX ASSEMBLY, BASE TERMINAL
- 12794 BOX ASSEMBLY, BASE TERMINAL "C-3"
- 9426 BOX ASSEMBLY, BRITISH D-2 BASE TERMINAL

8620 Box Assembly, "C" Base Terminal
8621 Box Assembly, C-2, D, E Base Terminal
8622 Box Assembly, Base Terminal Type D-1
9426 Box Assembly, British D-2 Base Terminal
12794 Box Assembly, Base Terminal "C-3"

(Assembly No. 8620 is used on C Trainer Models.
 Assembly No. 8621 is used on C2, D, E, Esp. Trainer Models.
 Assembly No. 8622 is used on D1 Trainer Models.
 Assembly No. 9426 is used on D2 Trainer Models.
 Assembly No. 12794 is used on C3, C5, E1, E2 Trainer Models).

Part No.	Nomenclature
5786	Cap, Male 3/8" 250 Volts, 10 Amp.
6003	Screw, R.H.I.M. #6-32 x 3/8" Cad. Plt.
6057	Nut, Hexagon Iron #6-32 x 5/16" x 7/64" Cad. Plt.
6697	Connector, Universal Conduit
6703	Socket, 33 Position
8592	Cable Assembly, Telegon Oscillator Output
12797	Connector, Cable #1 Polarization
12862	Cable Assembly, Wind Drift to Junction Box C-3



12794 BOX ASSEM., BASE TERMINAL "C-3" 9426 BOX ASSEM., BRITISH "D-2" BASE TERMINAL

9426 Box Assembly, British D-2 Base Terminal

12794 Box Assembly, Base Terminal "C-3"

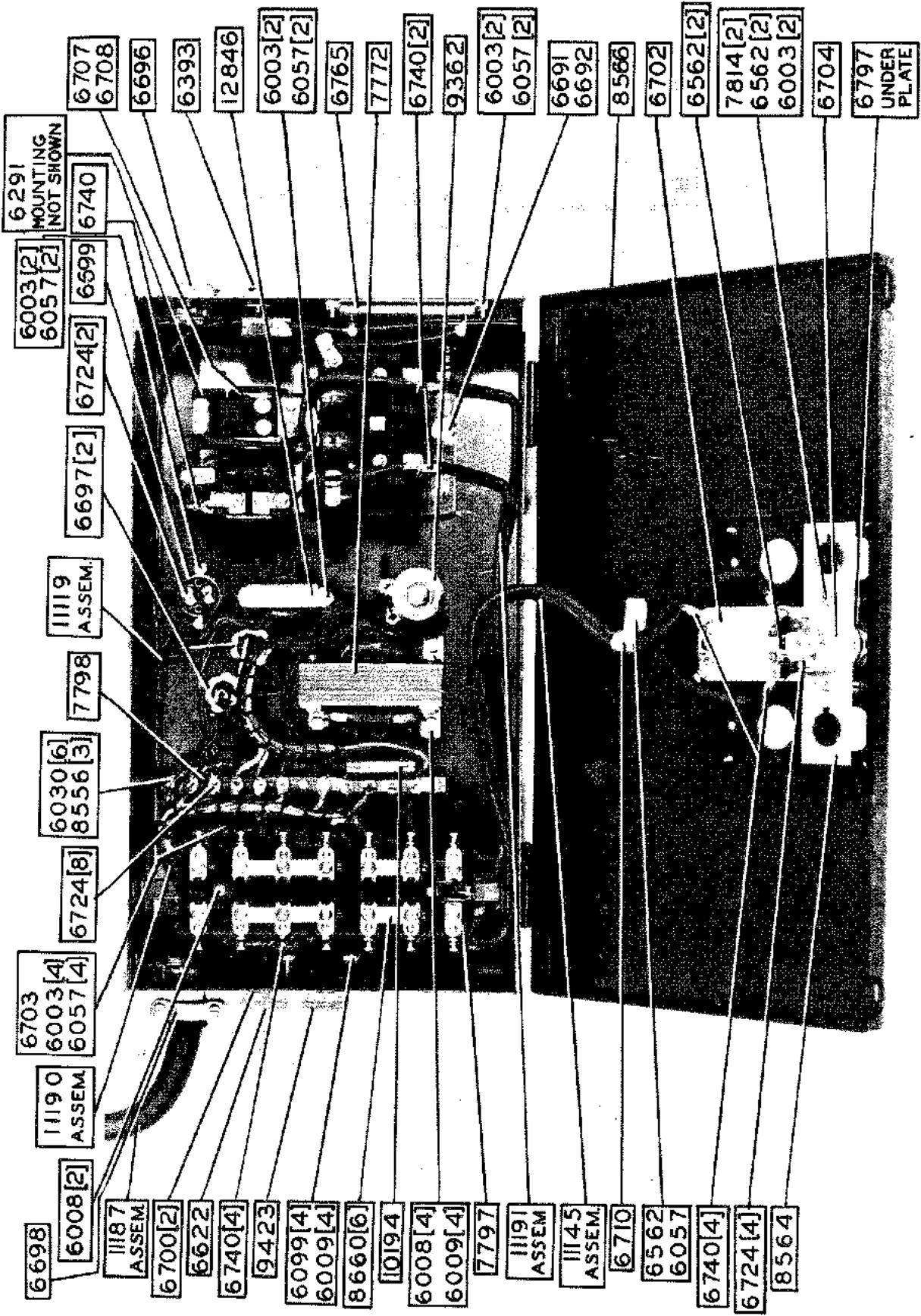
(Assembly No. 9426 is used on D2 Trainer Models.
Assembly No. 12794 is used on C3, C5 Trainer Models)

Part No.	Nomenclature
6003	Screw, R.H.I.M. #6-32 x 3/8" Cad. Plt.
6008	Screw, R.H.I.M. #8-32 x 3/8" Cad. Plt.
6009	Nut, Hexagon Iron #8-32 x 11/32" x 1/8" Cad. Plt.
6030	Screw, R.H.I.M. #8-32 x 1/4" Cad. Plt.
6057	Nut, Hexagon Iron #6-32 x 5/16" x 7/64" Cad. Plt.
6099	Screw, R.H.I.M. #8-32 x 3/4" Cad. Plt.
6291	Screw, R.H.I.M. #10-32 x 5/8" Cad. Plt.
6393	Switch, Single Pole Single Throw
6562	Screw, F.H.I.M #6-32 x 1/4" Cad. Plt.
6622	Fuse, 3 Amp. Plug Type
6691	Stud, Contactor Mounting
6692	Bushing, Contactor Mounting Stud
6694	Terminal, Panel (Cross Connection)
6695	Terminal, Panel Line Connection
6696	Connector, Straight Conduit
6697	Connector, Universal Conduit
6698	Connector, Cable
6699	Receptacle, Midget Twistlock Female Base
6700	Receptacle, Fuse
6701	Switch, S.P.S.T.
6702	Switch, D.P.S.T.
6703	Socket, 33 Position
6704	Receptacle, Candelabra
6706	Cap, Polarized
6707	Contactor
6708	Heater, Contactor Unit
6709	Transformer, Base Autosyn Supply
6710	Clamp, Cable 5/8"
6714	Plate, Turbine Switch Name
6765	Resistor, Wire Wound 110 Ohms, 5.8-10.9 Watts
6797	Resistor, 75,000 Ohms, 1 Watt
7000	Nut, Hexagon Iron #5-40 x 1/4" x 3/32" Cad. Plt.
8556	Spacer, 3/8" Dia. x #8-32 x 7/16"
8558	Spacer, 3/8" Dia. x #6-32 x 11/16"
8564	Plate, Pilot Light Mounting
9539	Cable Assembly, Base Terminal Box
9660	Jumper, Base Terminal Box
9362	Rectifier, Copper Oxide (GE)
9423	Fuse, 6 Amp. Plug Type
9425	Cable Assembly, British D-2 Base Terminal Box

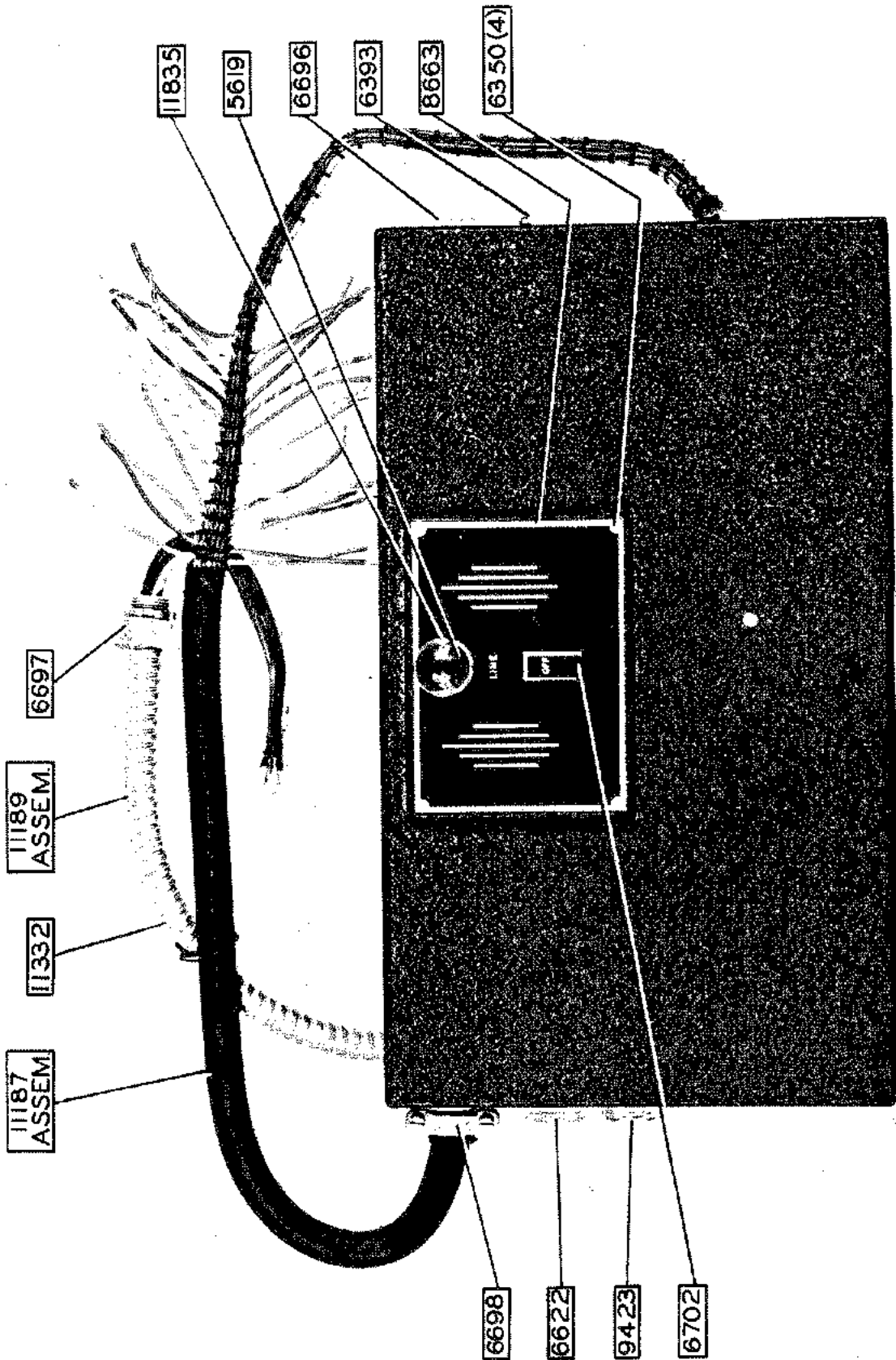
9426 Box Assembly, British D-2 Base Terminal (Continued)

12794 Box Assembly, Base Terminal "C-3" (Continued)

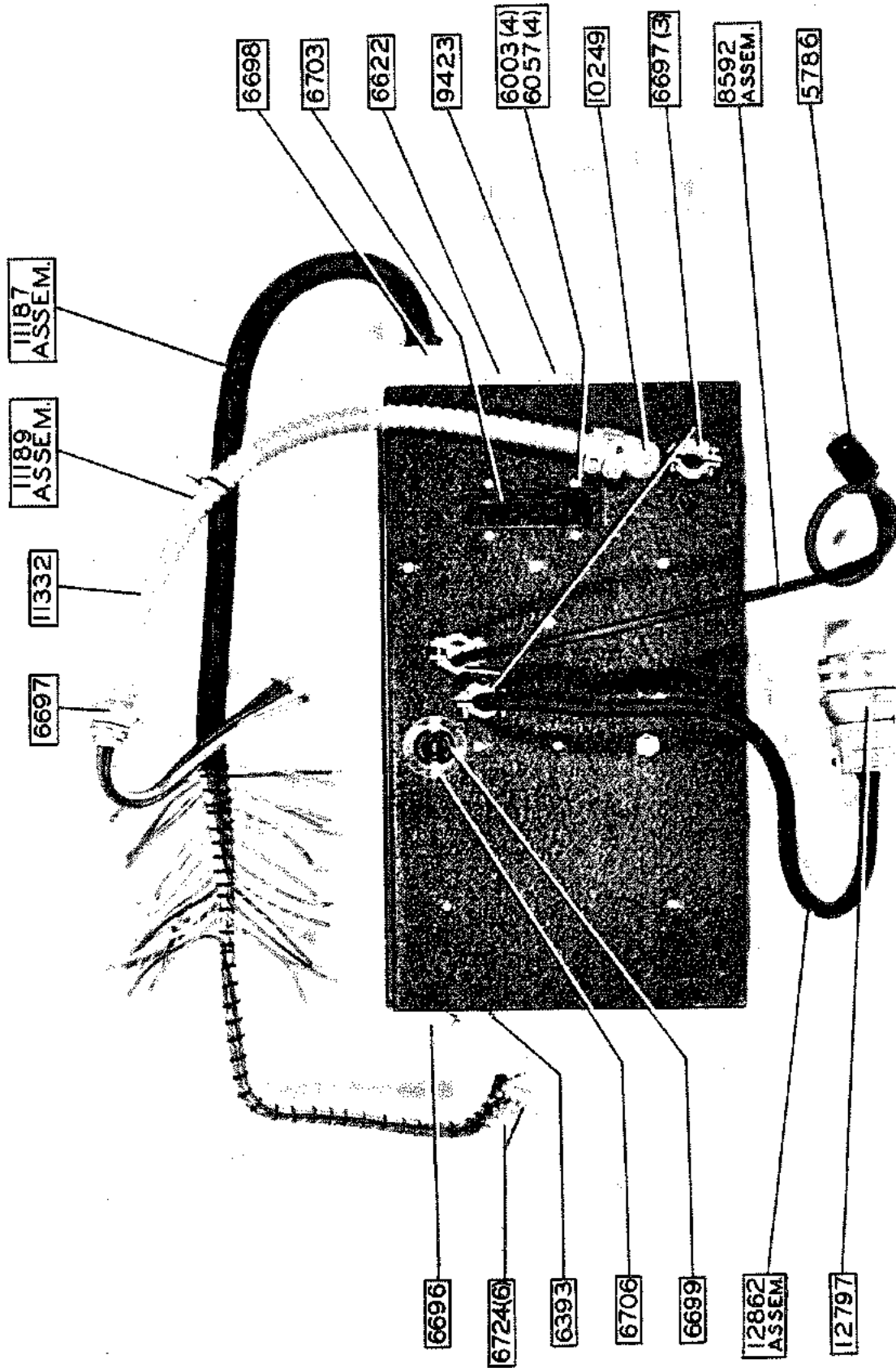
Part No.	Nomenclature
10162	Clip, Capacitor Mounting
10194	Capacitor, Electrolytic 50 Mfd. 50 Volt
12064	Screw, R.H.I.M. #5-40 x 3/16" Cad. Plt.
12846	Transformer, Power-Wind Drift
12847	Cable Assembly, Base Terminal Box to Collector Rings
	Mountings for this Assembly in Base
6676	Bolt, Carriage with Nut
6922	Nut, Hexagon Iron 5/16"-18 x 9/16" x 7/32" Cad. Plt.
8557	Spacer, 11/32" x 5/8" x 3/4"



11175 BOX ASSEMBLY, BASE TERMINAL



11175 BOX ASSEMBLY, BASE TERMINAL



11175 BOX ASSEMBLY, BASE TERMINAL

11175 Box Assembly, Base Terminal

(Interior View of assembly used
on AN-2550-1 Trainer Models)

Part No.	Nomenclature
6003	Screw, R.H.I.M. #6-32 x 3/8" Cad. Plt.
6008	Screw, R.H.I.M. #8-32 x 3/8" Cad. Plt.
6009	Nut, Hexagon Iron #8-32 x 11/32" x 1/8" Cad. Plt.
6030	Screw, R.H.I.M. #8-32 x 1/4" Cad. Plt.
6057	Nut, Hexagon Iron #6-32 x 5/16" x 7/64" Cad. Plt.
6099	Screw, R.H.I.M. #8-32 x 3/4" Cad. Plt.
6291	Screw, R.H.I.M. #10-32 x 5/8" Cad. Plt.
6393	Switch, Single Pole Single Throw
6562	Screw, F.H.I.M. #6-32 x 1/4" Cad. Plt.
6622	Washer, .172"-.169" x 1/2" x .052"-.048" Steel
6691	Stud, Contactor Mounting
6692	Bushing, Contactor Mounting Stud
6696	Connector, Straight Conduit
6697	Connector, Universal Conduit
6698	Connector, Cable
6699	Receptacle, Midget Twist Lock Female Base
6700	Receptacle, Fuse
6702	Switch, D.P.S.T.
6703	Socket, 33 Position
6704	Receptacle, Candelabra
6707	Contacto
6708	Heater, Contactor Unit
6710	Clamp, Cable 5/8"
6724	Terminal, Solder Lug Flat Type - #6 Hole
6740	Terminal, Solder Lug
6765	Resistor, Wirewound 110 Ohms, 5.8-10.9 Watts
6797	Resistor, 75,000 Ohms - 1 Watt
7772	Transformer, Radio Compass Supply
7797	Panel, Line Connection Terminal
7798	Panel, Cross Connection Terminal
7814	Spacer, 3/8" Dia. x #6-32 x 27/32
8556	Spacer, 3/8" Dia. x #8-32 x 7/16"
8564	Plate, Pitot Light Mounting
8566	Panel, Base (Junction Box)
8660	Jumper, Base Terminal Box
9362	Rectifier, Copper Oxide (GE)
9423	Fuse, 6 Amp. Plugtype
10194	Capacitor, Electrolytic 50 Mfd. 50 Volt
11119	Cable Assembly, Terminal Strip to Line Starter
11145	Cable Assembly, Line Terminal Panel to Switch
11187	Cable Assembly, Base Terminal Box to Collector Rings
11190	Cable Assembly, Fuse to Terminal Strip

11175 Box Assembly, Base Terminal (Continued)

Part No.	Nomenclature
11191	Cable Assembly, Contactor to Terminal Panel
12846	Transformer, Power - Wind Drift

Mountings for this Assembly on Base

Part No.	Nomenclature
6676	Bolt, Carriage with Nut
6922	Nut, Hexagon Iron 5/16"-18 x 9/16" x 7/32" Cad. Plt.
8557	Spacer, 11/32" x 5/8" x 3/4"

11175 Box Assembly, Base Terminal

(Front view of assembly used on
AN-2550-1 Trainer Models)

Part No.	Nomenclature
5619	Neon Lamp
6350	Screw, Parker-Kalon Type "Z" B.H.I. #4 x 5/16 Self Tapping Cad. Plt.
6393	Switch, Single Pole Single Throw
6622	Fuse, 3 Amp. Plug Type
6696	Connector, Straight Conduit
6697	Connector, Universal Conduit
6698	Connector, Cable
6702	Switch, D.P.S.T.
8663	Plate, Base Terminal Switch Type "C"
9423	Fuse, 6 Amp. Plug Type
11187	Cable Assembly, Base Terminal Box to Collector Rings
11189	Cable Assembly, Constant Voltage Transformer
11332	Cable, Constant Voltage Transformer
11835	Guard, Base Terminal Base Lamp

Mountings for this Assembly on Base

6676	Bolt, Carriage with Nut
6922	Nut, Hexagon Iron 5/16"-18 x 9/16" x 7/32" Cad. Plt.
8557	Spacer, 11/32" x 5/8" x 3/4"

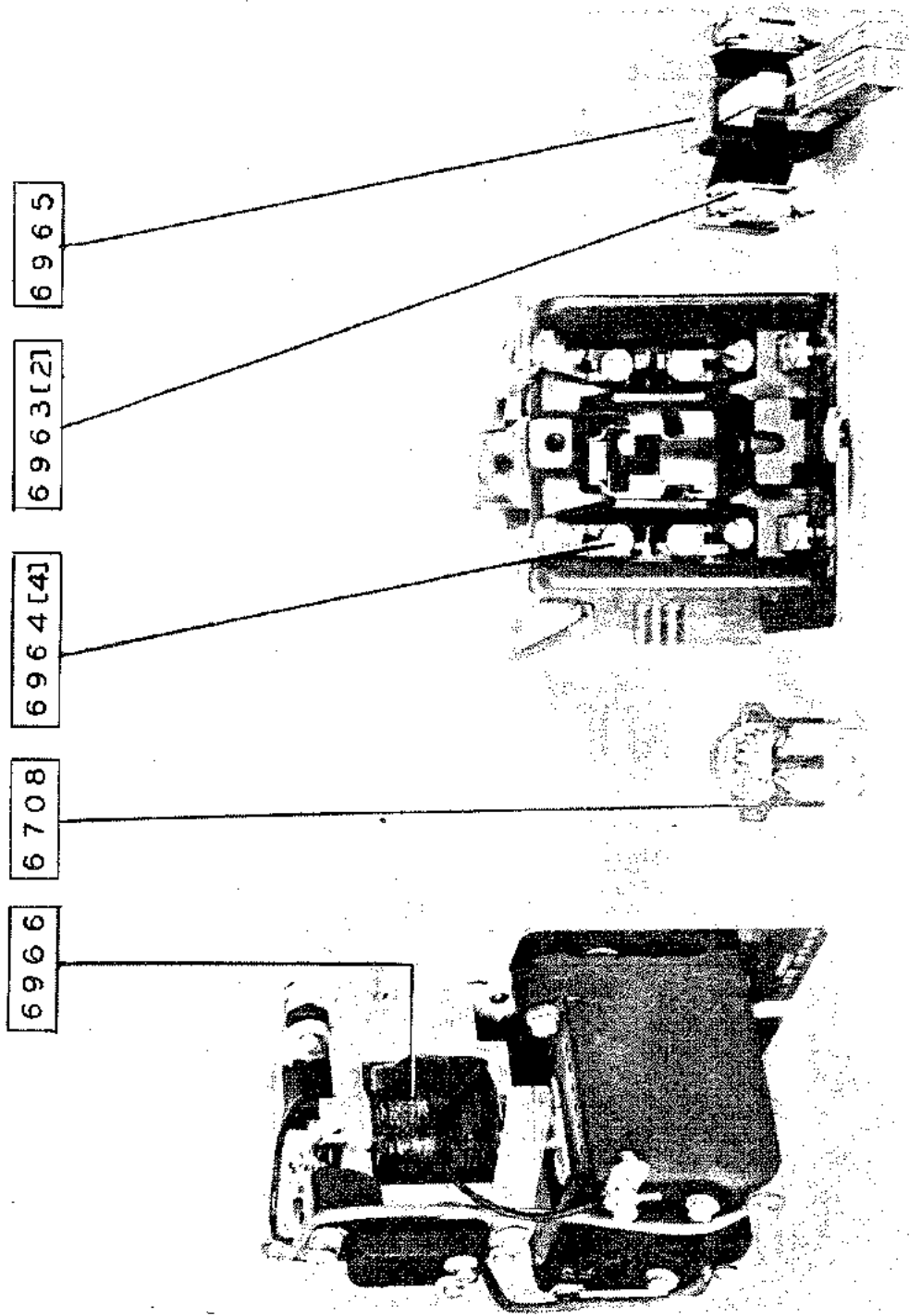
11175 Box Assembly, Base Terminal

(Rear view of assembly used
on AN 2550-1 Trainer Models)

Part No.	Nomenclature
5786	Cap, Male 3/8" 250 Volts, 10 Amp.
6003	Screw, R.H.I.M. #6-32 x 3/8" Cad. Plt.
6057	Nut, Hexagon Iron #6-32 x 5/16" x 7/64"
6393	Switch, Single Pole Single Throw
6622	Fuse, 3 Amp. Plug Type
6696	Connector, Straight Conduit
6697	Connector, Universal Conduit
6698	Connector, Cable
6699	Receptacle, Midget Twist Lock Female Base
6703	Socket, 33 Position
6706	Cap, Polarizer
6724	Terminal, Solder Lug Flat type - #6 Hole
8592	Cable Assembly, Telegon Oscillator, Output
9423	Fuse, 6 Amp. Plug Type
10249	Connector, Cable 90°
11187	Cable Assembly, Base Terminal Box to Collector Rings
11189	Cable Assembly, Constant Voltage Transformer
11332	Cable, Constant Voltage Transformer
12797	Connector, Cable #1 Polarization
12862	Cable Assembly, Wind Drift to Junction Box C-3

Mountings for this Assembly on Base

6676	Bolt, Carriage with Nut
6922	Nut, Hexagon Iron 5/16"-18 x 9/16" x 7/32" Cad. Plt.
8557	Spacer, 11/32" x 5/8" x 3/4"



6707 CONTACTOR

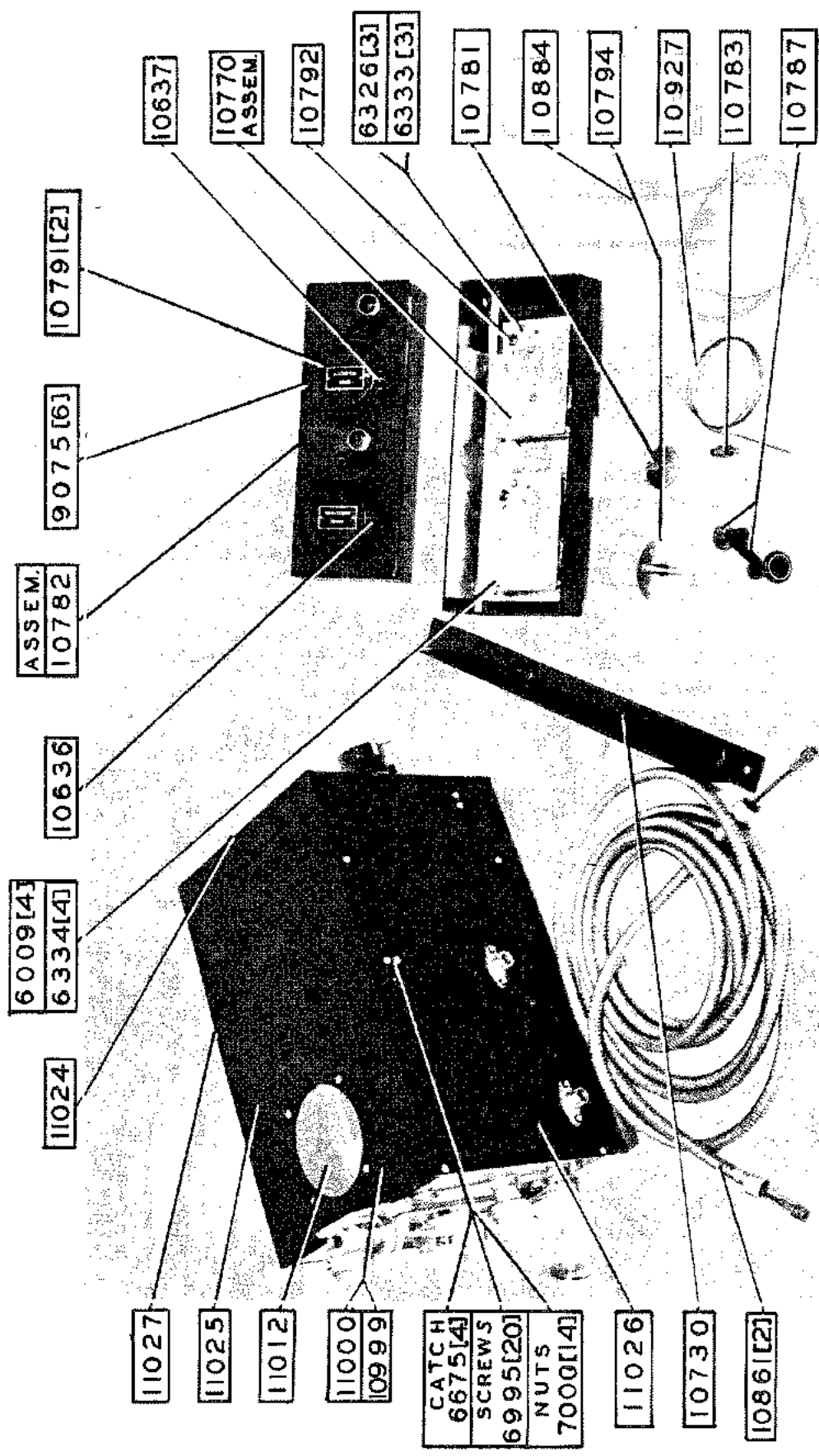
6707 Contactor

(This Assembly supersedes Assemblies No. 6620 and 6621 and is used on all Trainer Models. Assembly No.6707 is not interchangeable with Assemblies No. 6620 and 6621)

Part No.	Nomenclature
6708	Heater, Contactor Unit
6963	Contact, Interlocked Moving
6964	Contact, Interlocked Stationary
6965	Block, Westinghouse Contactor Solenoid Insulator
6966	Coil, Solenoid

(Note: Assembly No.6707 is a Westinghouse Switch. Assemblies No.6620 and No.6621 are General Electric Switches. Serviceable parts of the G. E. Switch which are not interchangeable with parts of the Westinghouse Switch are listed as follows:

6620	Switch, Magnetic 110 Volts, 50 Cycles
6621	Switch, 110V.-60 Cyc. Magnetic
6865	Contact, Magnetic Switch Movable
6866	Contact, Magnetic Switch Stationary

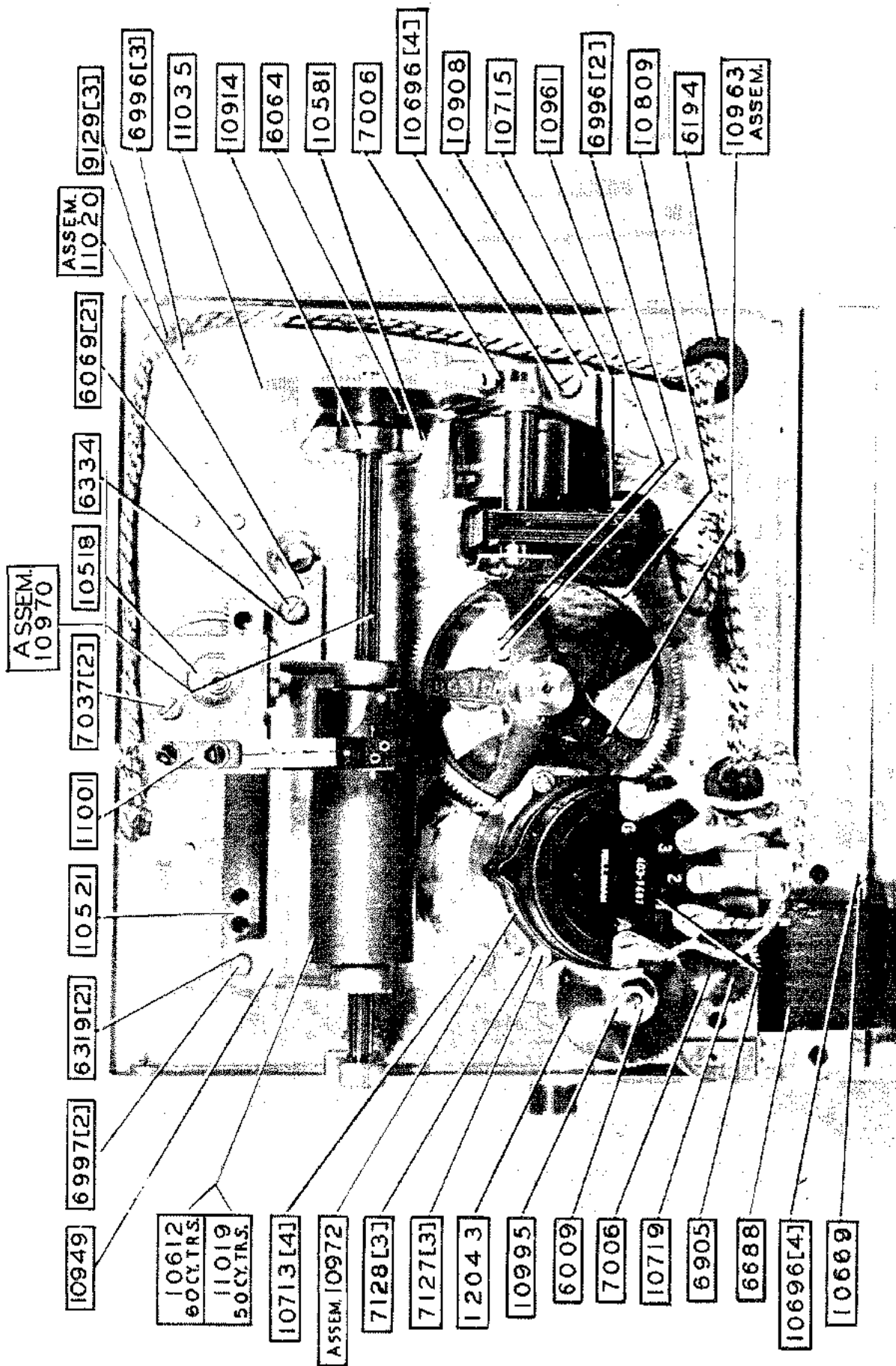


WIND DRIFT AND ASSOCIATE UNITS

Wind Drift and Associate Units

(This Group is used on C3, D2, E1, E2 and AN-2550-1 Trainer Models. It may be installed in other models. The parts necessary to accomplish this are contained in Group No. 90022 and No. 90029.)

Part No.	Nomenclature
6009	Nut, Hexagon Iron #8-32 x 11/32" x 1/8" Cad. Plt.
6326	Screw, R.H.I.M. #6-32 x 5/16" Cad. Plt.
6333	Washer, #6 Internal Teeth Lock-Steel
6334	Washer, #8 Internal Teethlock-Steel
6675	Catch, Cabinet Spring Plunger
6995	Screw, St. Side B.H.I.M. #5-40 x 1/4" Cad. Plt.
7000	Nut, Hexagon Iron #5-40 x 1/4" x 3/32" Cad. Plt.
9075	Screw, Remote Control Dial Cover
10636	Dial, Remote Control Wind Direction
10637	Dial, Remote Control Wind Velocity
10730	Support, Wind Drift Unit
10770	Drive Assembly, Remote Control
10781	Gear, Remote Control Intermediate
10782	Remote Control Assembly, Wind Drift
10783	Shaft Assembly, Remote Control Takeoff
10787	Shaft Assembly, Rem. Control Drive
10791	Cover, Remote Control Dial
10792	Connector, Remote Control
10794	Shaft Assembly, Remote Control Dial
10861	Shaft, Flexible
10884	Throttle Sheath Assembly, Wind Drift Unit
10927	Cable Assembly, (Trainer End) Electric Throttle
10999	British Wind Drift Unit Assembly, Complete
11000	Wind Drift Unit Assembly, Complete
11012	Window, Top Cover
11024	Cover Assembly, Wind Drift Unit End
11025	Cover, Wind Drift Unit Top
11026	Cover, Wind Drift Unit Connector Side
11027	Cover, Wind Drift Unit Throttle Side



10999 BRITISH WIND DRIFT UNIT ASSEMBLY, COMPLETE
 11000 WIND DRIFT UNIT ASSEMBLY, COMPLETE

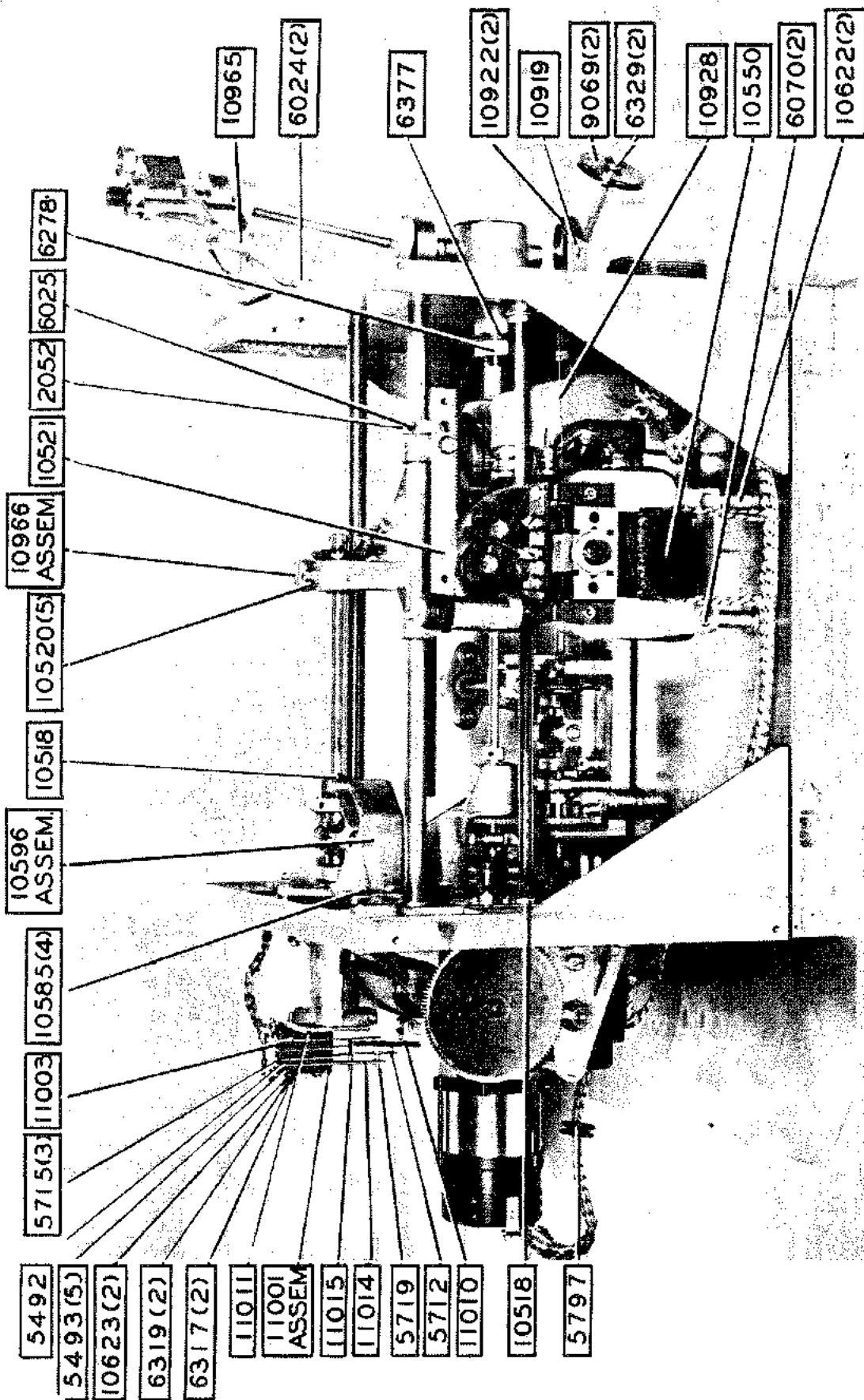
10999 British Wind Drift Unit Assembly, Complete

11000 Wind Drift Unit Assembly, Complete

(Assembly No. 10999 is used on 50-Cycle Trainers and AN-2550-1 Trainer.

Assembly No. 11000 supersedes Assembly No. 10829 and is used on 60-Cycle Trainers. Old and New Assemblies are interchangeable as units)

Part No.	Nomenclature
6009	Nut, Hexagon Iron #8-32 x 11/32" x 1/8" Cad. Plt.
6064	Pin, Taper #6/0 x 3/4 Steel Cad. Plt.
6069	Screw, Fil. H.I.M. #8-32 x 3/8" Cad. Plt.
6194	Grommet, Rubber 3/8" I.D. x 9/16" O.D.
6319	Washer, .130" x 9/32" x .025" Brass Cad. Plt.
6334	Washer, #8 Internal Teeth Lock-Steel
6688	Motor, 115V, 60 Cycles Induction
6905	Teletorque Unit
6996	Screw, Fil. H.I.M. 5-40 x Cadmium
6997	Screw, Fil. H.I.M. #5-40 x 1/2" Cad. Plt.
7006	Screw, Bristo Headless I. Set #5-40 x 1/8" Cup Pt. Harden
7037	Screw, St. Side B.H.I.M. #5-40 x 5/16" Cad. Plt.
7127	Screw, Fil. H.I.M. #3-48 x 1/2" Cad. Plt.
7128	Washer, #3 Internal Teeth Cad. Plt.
9129	Clip, Tubing
10518	Bearing, Ball (K3A)
10521	Rack, Throttle Speed
10581	Screw, Fil. H.I.M. #6-32 x 1/2" Cad. Plt.
10612	Cam Assembly, Ground Speed Time
10669	Plate, Anti-Backlash Motor Mounting
10696	Screw, Fil. H.I.M. #10-32 x 3/8" Cad. Plt.
10713	Screw, Fil. H.I.M. #10-32 x 1/2" Cad. Plt.
10715	Motor, Type "BC" Telechron 60 Cycle 60 R.P.M.
10719	Pinion, Backlash Motor
10809	Gear, 48 Pitch-144 Teeth
10908	Bracket, Timer Motor
10914	Cap, Bearing
10949	Rack Assembly, Ground Speed
10961	Plate, Ball Bearing Retainer
10963	Shaft Assembly, Lower Splined
10970	Shaft Assembly, Timer
10972	Housing Assembly, Autosyn
10995	Stud, Backlash Idler Gear
11001	Contact Assembly, Ground Speed Time
11019	Cam Assembly, Ground Speed Time British
11020	Bar and Stud Assem., Rack Support
11035	Gear Assembly, Time Shaft Drive
12043	Gear, 48 Pitch-72 Teeth



10999 BRITISH WIND DRIFT UNIT ASSEM, COMPLETE

11000 WIND DRIFT UNIT ASSEM, COMPLETE

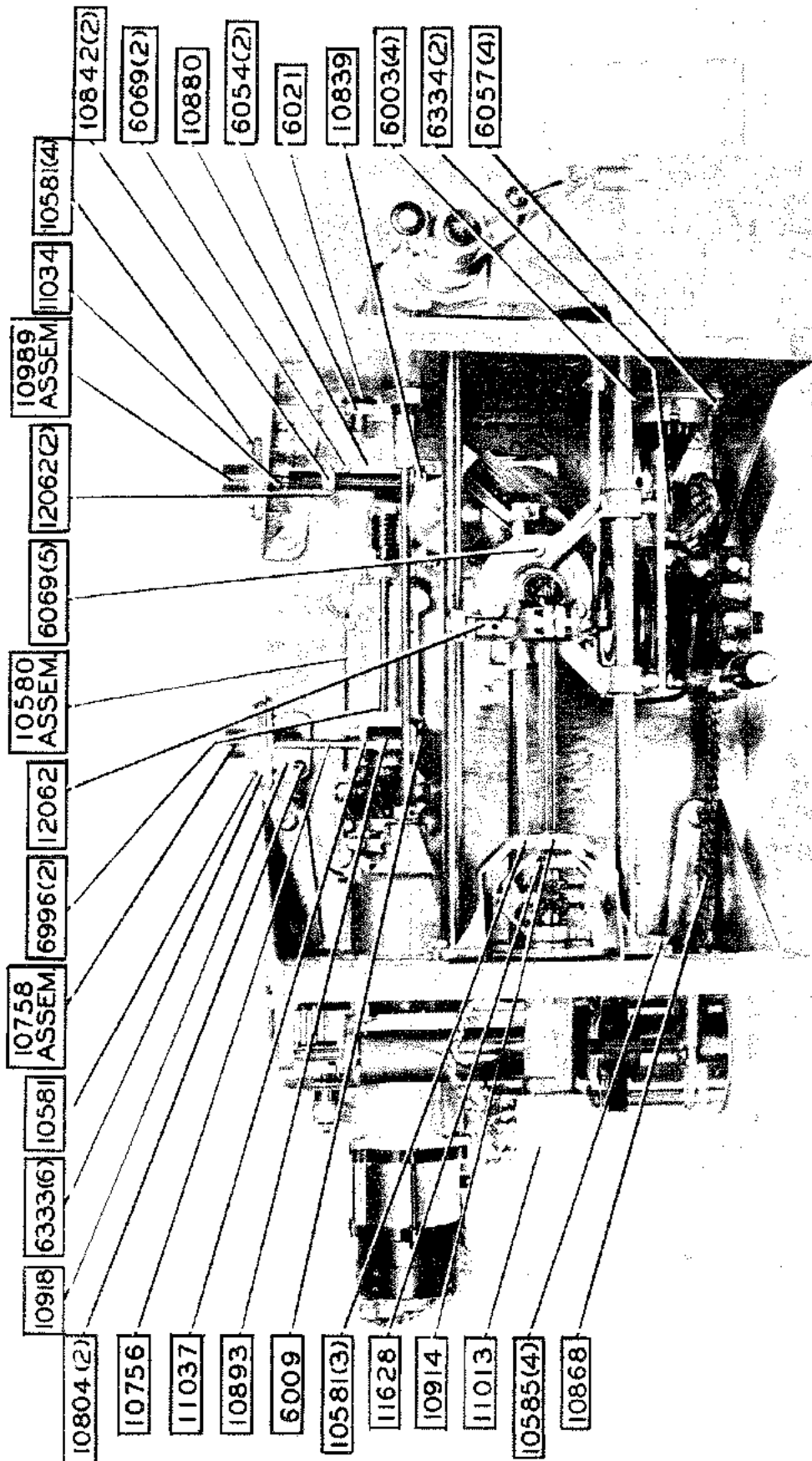
10999 British Wind Drift Unit Assembly, Complete

11000 Wind Drift Unit Assembly, Complete

(Assembly No. 10999 is used on 50 Cycle Trainer Models and AN-2550-1 Trainer.

Assembly No. 11000 is used on 60 Cycle Trainer Models and supersedes Assembly No. 10829. Old and new assemblies are interchangeable as units.)

Part No.	Nomenclature
2052	Collar, 3/8" Set
5492	Spacer, Contact-1/16"
5493	Spacer, Contact-1/8"
5712	Spring Assembly, Outer Contact
5715	Terminal, Contact
5719	Screw, Contact Adjustment
5797	Grommet, Rubber 19/64" I.D. x 7/16" O.D.
6024	Screw, H.H.I.C. #1/4-20 x 5/8" Cad. Plt.
6025	Screw, Bristo Headless I. Set #10-24 x 3/16 Cup Point Hardened
6070	Screw, F.H.I.M. #8-32 x 1" Cad. Plt.
6278	Nut, #1/2-20 x 3/4" x 5/16" H.I. Cadmium
6317	Screw, R.H.I.M. #5-40 x 1-1/8" Blued
6319	Washer, .130" x 9/32" x .025" Brass, Cad. Plt.
6329	Washer, Precision .187" x 5/16" x .064" Brass Cad. Plt.
6377	Washer, 33/64" x 7/8" x 1/16" Brass
9069	Clip, Spring (.125" x .020")
10518	Bearing, Ball (K3A)
10520	Screw, Bristo Socket Head Cap #5-40 x 1/2
10521	Rack, Throttle Speed
10550	Control Assembly, Electric Throttle
10585	Screw, Fil. H.I.M. #8-32 x 5/8" Cad. Plt.
10596	Differential Assembly, Ground Speed
10622	Spacer, .182" x 5/16" x .675"
10623	Sleeve, Contact Insulating
10919	Bracket Assembly, Throttle Cable Guide Pulley
10922	Pulley Assembly, Throttle Cable Guide
10928	Cable Assembly, Wind Drift Unit Electric Throttle
10965	Spring, Rocker Arm
10966	Carriage Assembly, Wind Drift Unit
11001	Contact Assembly, Ground Speed Time
11003	Spring Assembly, Lower Contact
11010	Spring Assem. Transfer Contact
11011	Plate, Contact Mounting
11014	Bar, Contact Adjusting
11015	Screw, Contact Adjusting



10999 BRITISH WIND DRIFT UNIT ASSEM., COMPLETE
 11000 WIND DRIFT UNIT ASSEM., COMPLETE

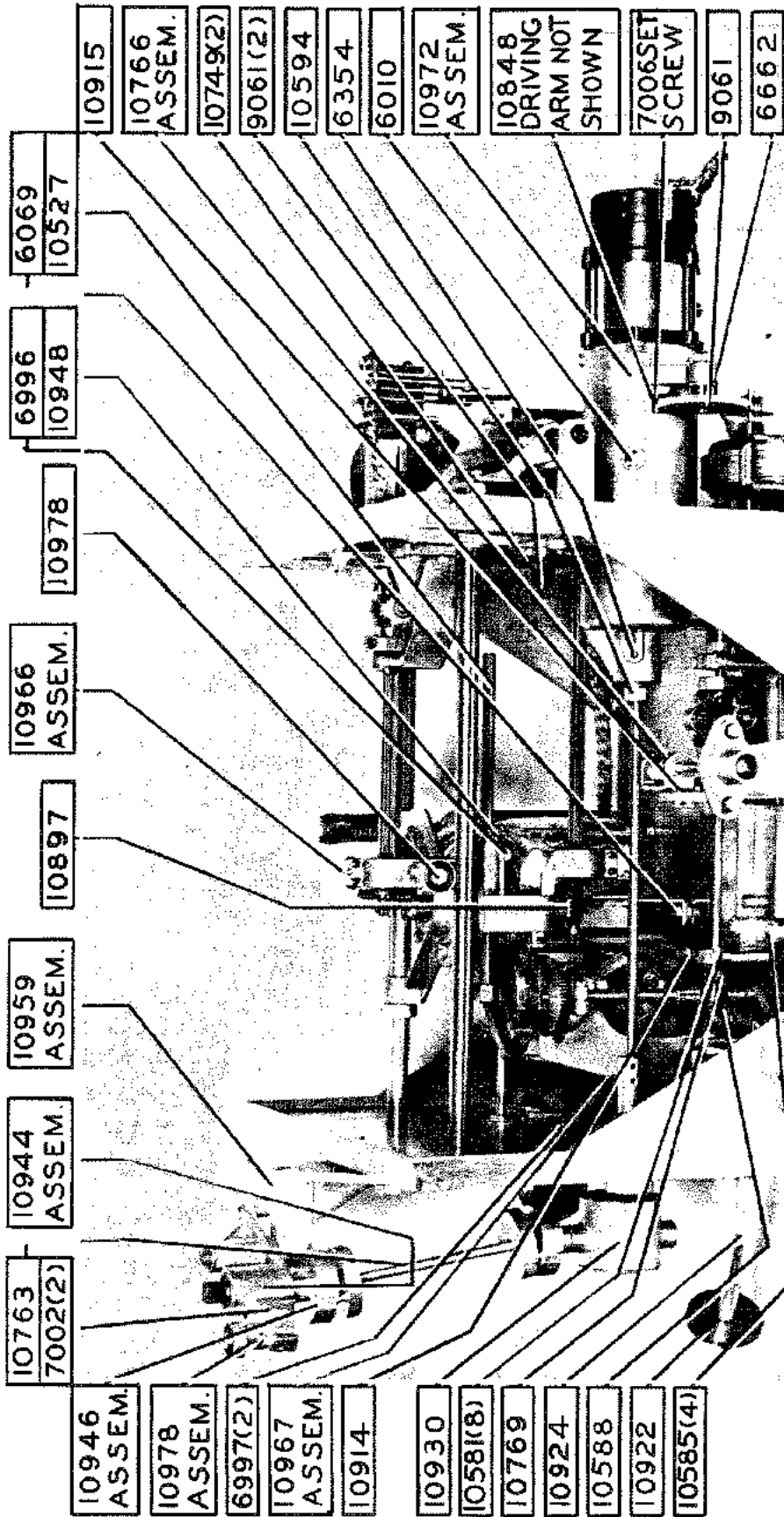
10999 British Wind Drift Unit Assembly, Complete

11000 Wind Drift Unit Assembly, Complete

(Assembly No. 10999 is used on 50 cycle Trainer Models and AN-2550-1 Trainers.

Assembly No. 11000 is used on 60 cycle Trainer Models and supersedes Assembly No. 10829. Old and new assemblies are interchangeable as units.)

Part No.	Nomenclature
6003	Screw, R.H.I.M. #6-32 x 3/8" Cad. Plt.
6009	Nut, Hexagon Iron #8-32 x 11/32" x 1/8" Cad. Plt.
6021	Washer, 5/16" Spring Steel Lock
6054	Nut, Hexagon Iron #5/16"-24 x 9/16" x 7/32" Cad. Plt.
6057	Nut, Hexagon Iron #6-32 x 5/16" x 7/64" Cad. Plt.
6069	Screw, Fil. H.I.M. #8-32 x 3/8" Cad. Plt.
6333	Washer, #6 Internal Teeth Lock-Steel
6334	Washer, #8 Internal Teeth Lock-Steel
6996	Screw, Fil. H.I.M. #5-40 x 5/16" Cad. Plt.
10580	Drive Assembly, Direction Control
10581	Screw, Fil. H.I.M. #6-32 x 1/2" Cad. Plt.
10585	Screw, Fil. H.I.M. #8-32 x 5/8" Cad. Plt.
10756	Shaft, Wind Drift Connector
10758	Connector Assembly, Flexible Shaft
10804	Screw, Fil. H.I.M. #8-32 x 1/2" Cad. Plt.
10839	Nut, 3/8-24 Runner
10842	Nut, Velocity Control Shaft Stop
10868	Cable Assembly, W.D.U. Electrical
10880	Guide, Runner Nut
10893	Worm, Direction Control
10914	Cap, Bearing
10918	Bracket, Flex. Shaft Connector
10989	Connector Assembly, Wind Velocity
11013	Plate, Wind Drift Unit Base
11034	Shaft, Velocity Control
11037	Bracket, Wind Driven Worm
11628	Screw, Bristo Socket Head Cap #5-40 x 3/8"
12062	Screw, Bristo Headless I. Set #5-40 x 3/16" Cup Pt.



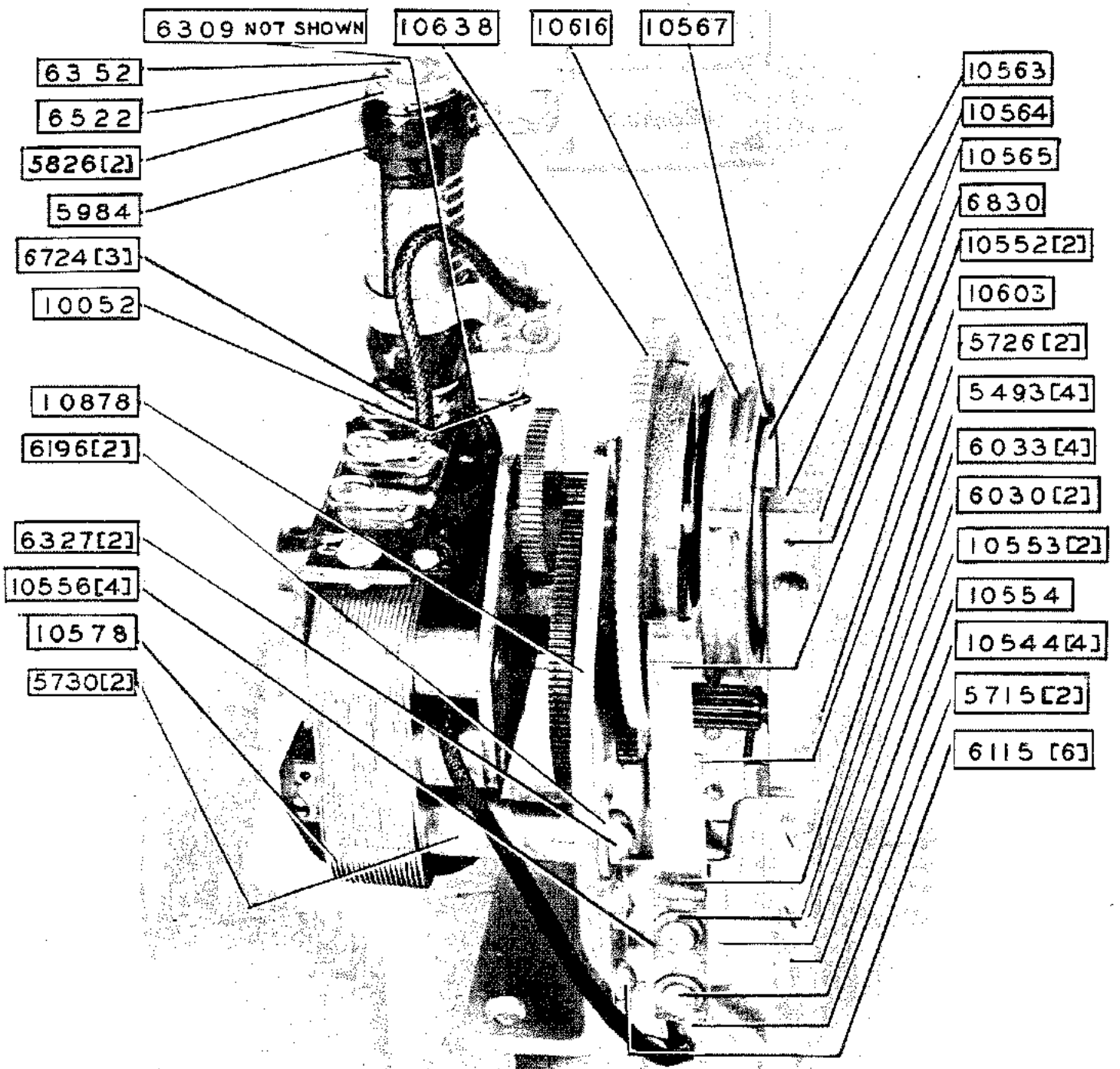
10999 BRITISH WIND DRIFT UNIT ASSEMBLY, COMPLETE
 11000 WIND DRIFT UNIT ASSEMBLY, COMPLETE

10999 British Wind Drift Unit Assembly, Complete

11000 Wind Drift Unit Assembly, Complete

(Assembly No. 10999 is used on 50 Cycle Trainers and AN-2550-1 Trainers.
Assembly No. 11000 supersedes Assembly No. 10829 and is used on 60 Cycle Trainers. Old and New Assemblies are interchangeable as units)

Part No.	Nomenclature
6010	Screw, R.H.I.M. #8-32 x 1/2" Cad. Plt.
6069	Screw, Fil. H.I.M. #8-32 x 3/8" Cad. Plated
6354	Screw, Bristo Headless I. Set #8-32 x 3/16 Cup Pt. Harden
6662	Washer, .172"-.169" x 1/2" x .052"-.048 Steel
6996	Screw, Fil. H.I.M. 5-40 x 5/16" Cadmium
6997	Screw, Fil. H.I.M. #5-40 x 1/4" Cad. Plt.
7002	Screw, Bristo Headless Set #5-40 x 1/4" Cup Point
7006	Screw, Bristo Headless I. Set #5-40 x 1/8" Cup Pt. Harden
9061	Clip, Spring (.187" x .020")
10527	Rack, Ground Speed
10581	Screw, Fil. H.I.M. #6-32 x 1/2" Cad. Plt.
10585	Screw, Fil. H.I.M. #8-32 x 5/8" Cad. Plt.
10588	Worm, 32 Pitch 4 Thread R.H.
10594	Collar, 3/16" Shaft
10749	Gear, 48 Pitch-60 Teeth
10763	Coupling Assembly, Drive
10766	Shaft Assembly, Wind Direction Control
10769	Pin, Taper 6/0 x 1/2
10848	Arm, Autosyn Driving
10897	Pivot Assembly, Carriage-Gear
10914	Cap, Bearing
10915	Cap, Worm Bracket & Bearing
10922	Pulley Assembly, Throttle Cable Guide
10924	Stud, Throttle Cable Guide Pulley
10930	Drive Assembly, Right Angle
10944	Arm Assembly, Drive Rocker
10946	Shaft Assembly, Rocker Arm
10948	Sleeve, Ground-Speed Rack
10959	Bracket Assembly, Rocker Arm
10966	Carriage Assembly, Wind Drift Unit
10972	Housing Assembly, Autosyn
10967	Triangle Assembly, Wind
10978	Stud Assembly, Rocker Arm

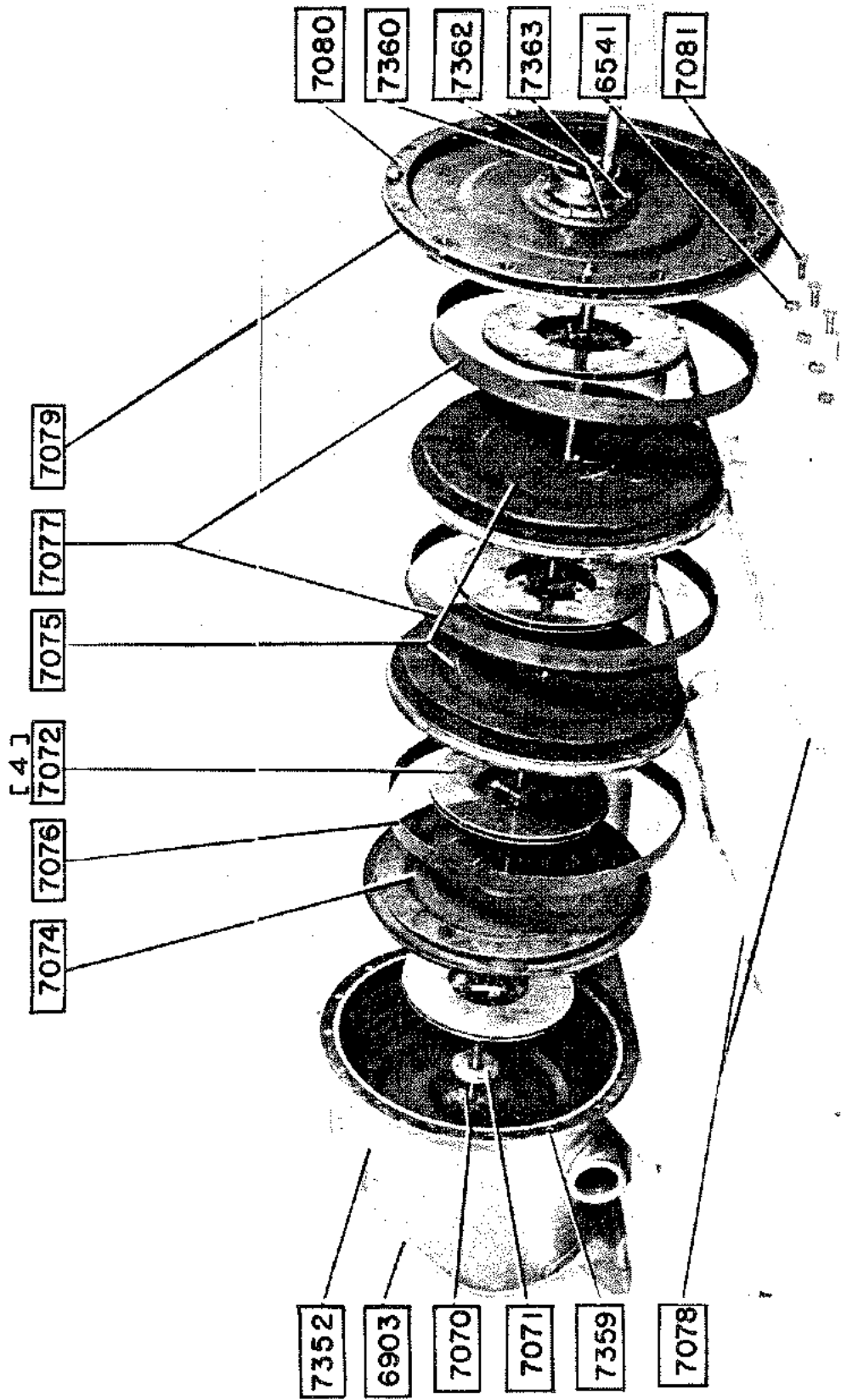


10550 CONTROL ASSEMBLY, ELECTRIC THROTTLE

10550 Control Assembly, Electric Throttle

(Used on Trainer Models with Wind Drift installation)

Part No.	Nomenclature
5493	Spacer, Contact-1/8"
5715	Terminal, Contact
5726	Strap, Guard
5730	Spacer, Motor
5826	Washer, Fibre, 5/16" Dia. Shoulder
5984	Resistor, Wire Wound (Adjustable) 150 Ohms-25 Watts
6030	Screw, R.H.I.M. #8-32 x 1/4" Cad. Plt.
6033	Washer, .130" x 9/32" x .025" Brass Bright Dipped
6115	Screw, R.H.I.M. #8-32 x 3/16" Cad. Plt.
6196	Washer, 13/64" x 1/2" x .049" Steel Cad. Plt.
6309	Nut, Hexagon Brass #6-32 x 1/4" x 3/32" Cad. Plt.
6327	Screw, R.H.I.M. #10-32 x 3/4" Cad. Plt.
6352	Screw, R.H.I.M. #6-32 x 2-1/2" Cad. Plt.
6522	Washer, 5/32" x 7/16" x .049" Steel Cad. Plt.
6724	Terminal, Solder Lug Flat Type-#6 Hole
6830	Pin, Groov 1/16" x 5/16" Type #1
10052	Terminal, Solder Lug; Flat Type-#8 Hole
10544	Screw, R.H.I.M. #5-40 x 1/2" Cad. Plt.
10552	Spring, Electric Throttle Cam Contact
10553	Plate, Electric Throttle Contact Support
10554	Bracket, Electric Throttle Control Bearing Post
10556	Insulator, Contact Screw
10563	Washer, .192"-.188" x 1-1/4" x .033"-.028" Brass
10564	Post, Electric Throttle Control Bearing
10565	Shaft, Electric Throttle Pulley
10567	Spring, Electric Throttle Pulley
10578	Motor, Electric Throttle Control
10603	Pinion and Gear Assembly, Electric Throttle Control
10616	Pulley Assembly, Electric Throttle Control Cable
10638	Gear Assembly, Electric Throttle Control
10878	Bracket Assembly, Electric Throttle

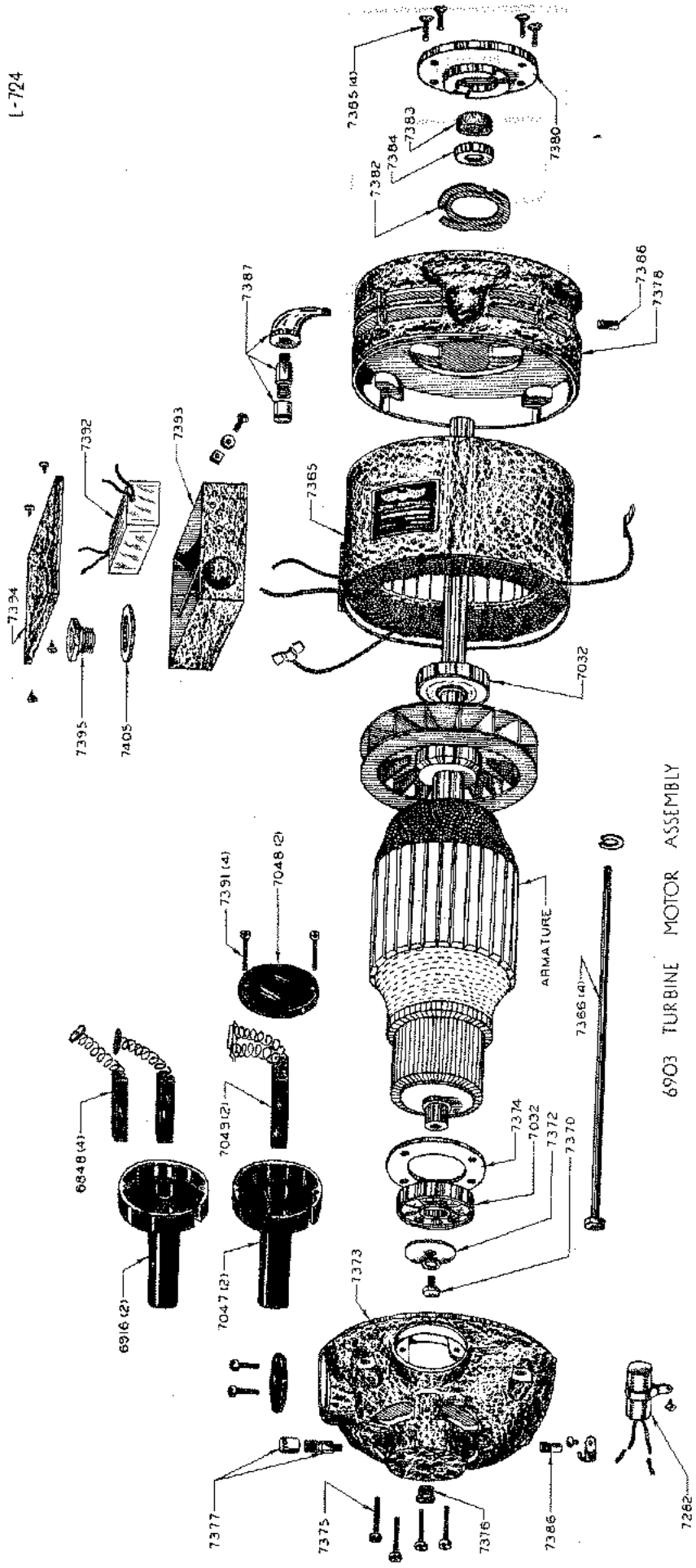


8590 TURBINE, COMPRESSOR

8590 Turbine, Compressor

(Used on all Trainer Models)

Part No.	Nomenclature
6541	Nut, H.I. #5/16"-18 x 9/16" x 17/64" Plain
6903	Motor, Spencer Turbine
7070	Packing, 14" Turbo-Compressor Division Head Felt
7071	Plate, 14" Turbo-Compressor Division Head Felt Packing
7072	Impeller, 14" Turbo-Compressor
7074	Deflector, 14" Turbo-Compressor Inner
7075	Deflector, 14" Turbo-Compressor Outer
7076	Spacer, 14" Turbo-Compressor Straight
7077	Spacer, 14" Turbo-Compressor Flanged
7078	Packing, 14" Turbo-Compressor Rope
7079	Head, 14" Turbo-Compressor End
7080	Ring, Turbo-Compressor End Head
7081	Screw, H.H.I.C. #5/16"-18 x 3/4" Cad. Plt.
7352	Casing, Turbine Compressor
7359	Gasket, Turbo-Compressor End Head
7360	Flange, Intake
7362	Gasket, Flange
7363	Screw
	Mountings for this Assembly in Base
6348	Screw, Lag 1/4" x 1-1/2" No Finish

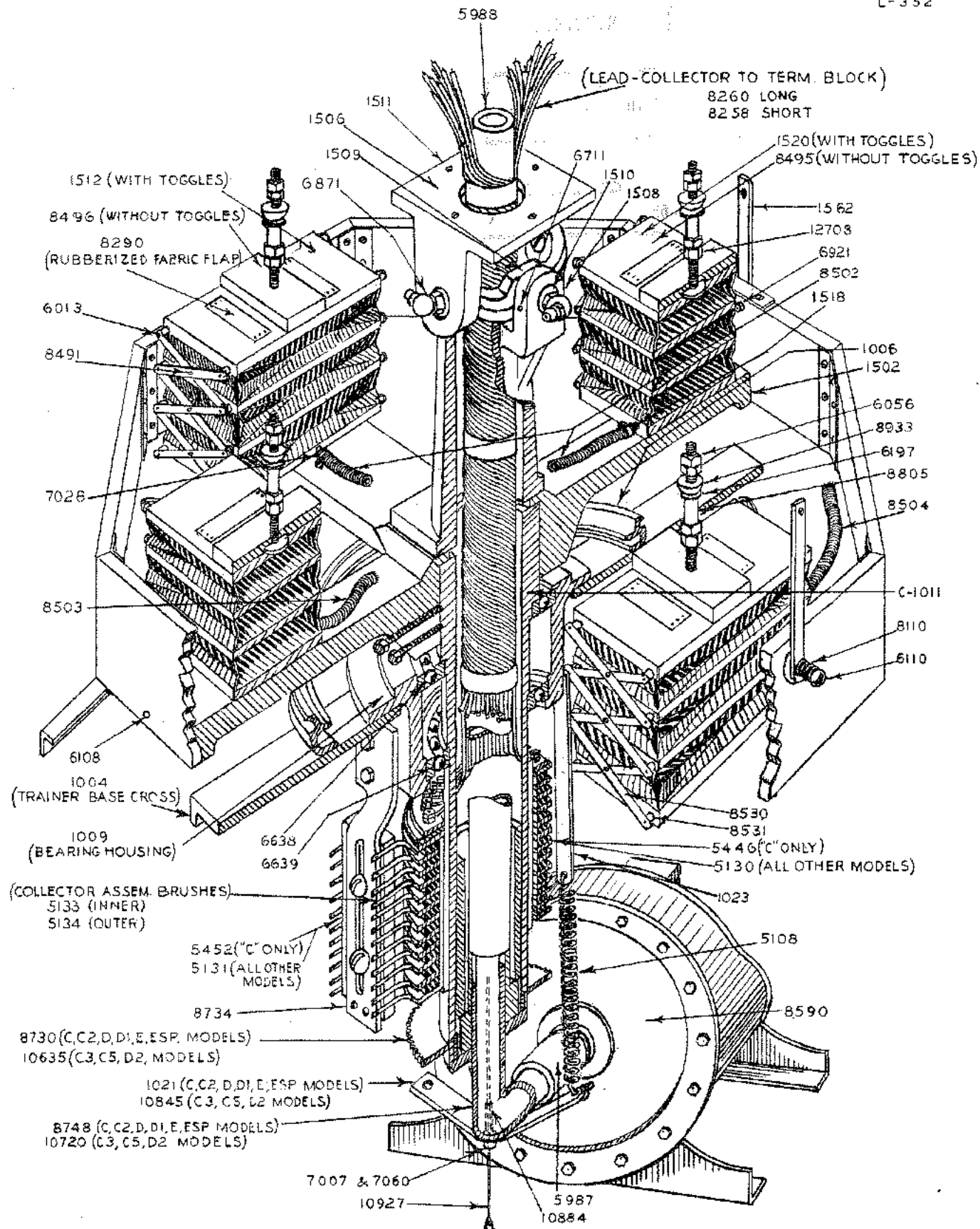


6903 TURBINE MOTOR ASSEMBLY

6903 Turbine Motor Assembly

(Used on all Trainer Models)

Part No.	Nomenclature
6848	Brush and Spring Assembly
6916	Holder, Turbine Motor Double Brush
7032	Bearing, Turbine Motor Ball
7047	Holder, Turbine Motor Single Brush
7048	Cap, Turbine Motor Single Brush Holder
7049	Brush Assembly, Turbine Motor Wide Carbon
7282	Capacitor, Turbine Motor .06-.06 Mfd. 250 V. A.C.
7365	Housing Assembly & Field Winding-Complete
7366	Bolt, Hex. Head Machine
7370	Screw
7372	Washer
7373	Bracket, Commutator End
7374	Plate, Rear
7375	Screws, Attaching
7376	Plug, Tachometer
7377	Cup, Grease
7378	Bracket, Rear End
7380	Cap, Hub
7382	Washer, Spring
7383	Washer, Felt
7384	Retainer
7385	Screw
7386	Plug, Drain
7387	Cup with Elbow, Grease
7391	Screw, F.H.I.M. #5-40 x 3/4" Cad. Plt.
7392	Filterette, Deutchman-Tobe Type A-2-F
7393	Box
7394	Cover
7395	Bushing, Attaching
7405	Washer Armature



MAIN BELLOWS, TURBINE, SPINDLE AND COLLECTOR RING ASSEMBLY

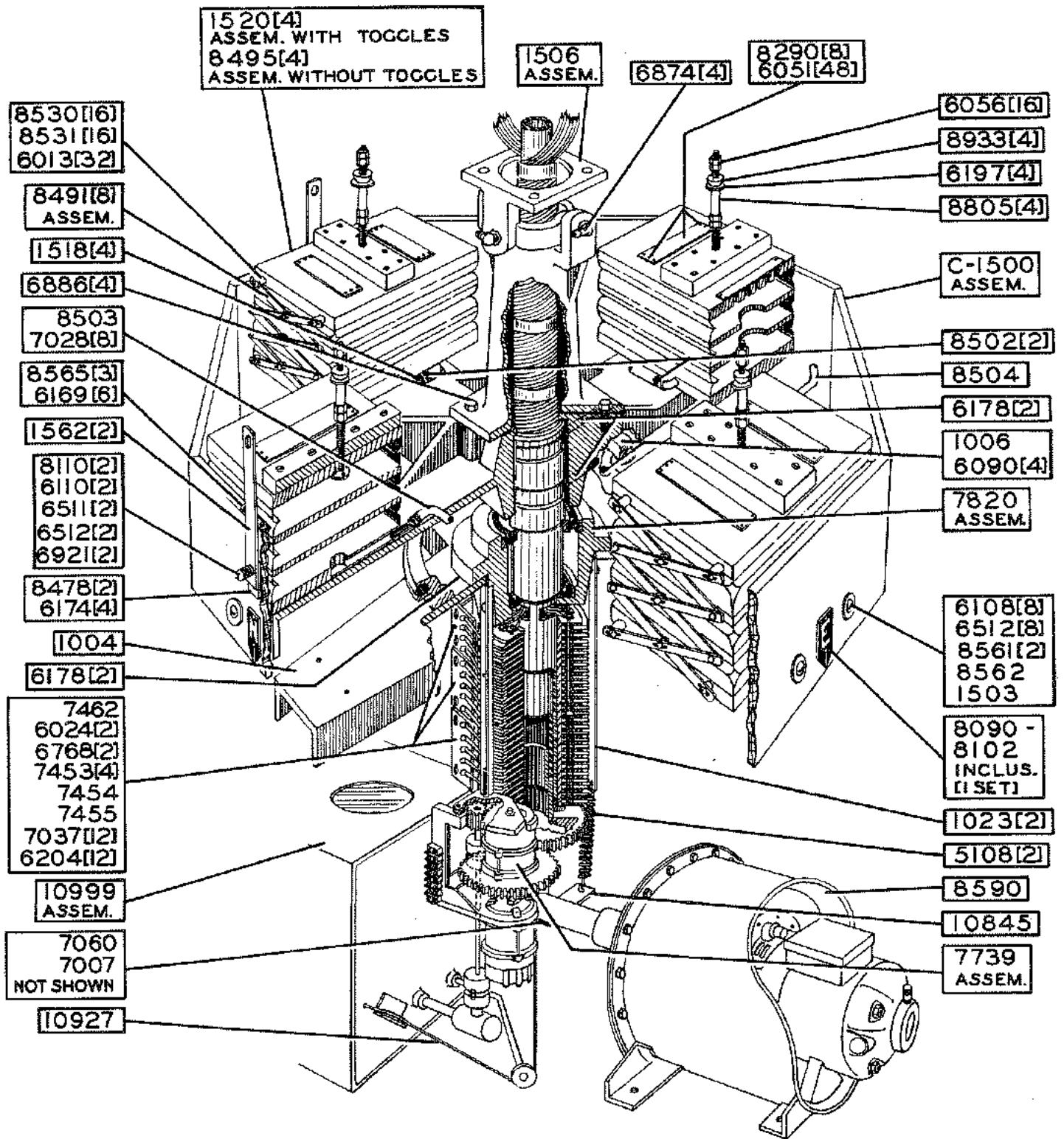
Main Bellows, Turbine, Spindle and Collector Ring Assembly

(Used on all Trainer Models Except AN-2550-1 Trainers)

Part No.	Nomenclature
1004	Cross, Base
1006	Sheave, Base
1009	Housing, Bearing
C-1011	Shaft, Bearing Housing
1021	Sling, Transfer Elbow (Used on C, C2, D, D1, E, Esp Models)
1023	Strap, Transfer Elbow Sling Spring
1502	Cross, Turntable
1506	Universal Assembly
1508	Standard, Universal Long
1509	Ring, Universal
1510	Pin, Universal
1511	Standard, Universal Short
1512	Bellows & Toggle Assem., (Left and Right)
1518	Elbow, Bellows
1520	Bellows & Toggle Assem., (Front and Rear)
1562	Strap, Fuselage Lock
5108	Spring, Tachometer Regulator
5130	Collector Assembly (Used on C2, C3, C5, D, D1, D2, E, Esp, E1, E2 Models)
5131	Brush Assembly, Collector Ring (Used on C2, C3, C5, D, D1, D2, E, Esp, E1, E2 Models)
5133	Brush, Collector Assem., Inner
5134	Brush, Collector Assem., Outer
5446	Collector Assembly, Type "C" Trainer (Used on C Model only)
5452	Brush Assembly, Collector Ring (Used on C Model only)
5987	Tube, Transfer Elbow to Turbine Connector
5988	Tube, Autosyn Pickup Hub to Conductor Elbow Connector
6013	Screw, R.H.I.W. #10 x 2" Cad. Plt.
6056	Nut, Hexagon Iron #3/8"-16 x 5/8" x 1/4" Cad. Plt.
6108	Screw, R.H.I.M. #1/4"-20 x 1-1/4" Cad. Plt.
6110	Screw, R.H.I.M. #1/4"-20 x 2" Cad. Plt.
6197	Washer, 25/64" x 7/8" x .065" Steel Cad. Plt.
6638	Bearing, Double Shield Ball (Top)
6639	Bearing, Double Shield Ball (Bottom)
6711	Screw, Bristo Headless I. Set #1/4"-20 x 3/8" Cup Point Hardened
6871	Fitting, 1/8" Pipe Thread Angle
6921	Nut, Hexagon Iron #1/4"-20 x 7/16" x 5/32" Cad. Plt.
7007	Ring, 3/8" x .046" Open Type Retaining
7028	Clamp, 15/16" I.D. Hose

Main Bellows, Turbine, Spindle and Collector Ring Assembly (Continued)

Part No.	Nomenclature
7060	Washer, .378"-.376" x 9/16" x .063"-.060" Brass
8110	Spring, Fuselage Lock Strap
8258	Lead, Collector to Terminal Block (Short)
8260	Lead, Collector to Terminal Block (Long)
8290	Flap, Bellows Release Pitching and Banking
8491	Toggle Assembly, Main Bellows
8495	Bellows Assembly, Front and Rear
8496	Bellows Assembly, Left and Right
8502	Hose, Rear Elevator and Right Aileron
8503	Hose, Front Elevator
8504	Hose, Left Aileron
8530	Spacer, Toggle M'T'G. Long
8531	Spacer, Toggle M'T'G. Short
8590	Turbine, Compressor
8730	Gear, Autosyn Pick-Up (Used on C, C2, D, D1, E, Esp Models)
8734	Bracket, Brush Assembly
8748	Elbow Assembly, Transfer (Used on C, C2, D, D1, E, Esp Models)
8805	Spacer, Bellows Bolt
8933	Nut, Bellows Ball
10635	Gear, Drive (Used on C3, C5, D2, E1, E2 Models)
10720	Elbow Assembly, Transfer Type C-3 & C-5 (Used on C3, C5, D2, E1, E2 Models)
10845	Hanger, Transfer Elbow (Used on C3, C5, D2, E1, E2 Models)
10884	Throttle Sheath Assembly, Wind Drift Unit
10927	Cable Assembly, (Trainer End) Electric Throttle
12708	Nut, #3/8"-16 x 7/8" Sleeve



MAIN BELLOWS, TURBINE, SPINDLE AND
COLLECTOR RING ASSEMBLY

Main Bellows, Turbine, Spindle and Collector
Ring Assembly

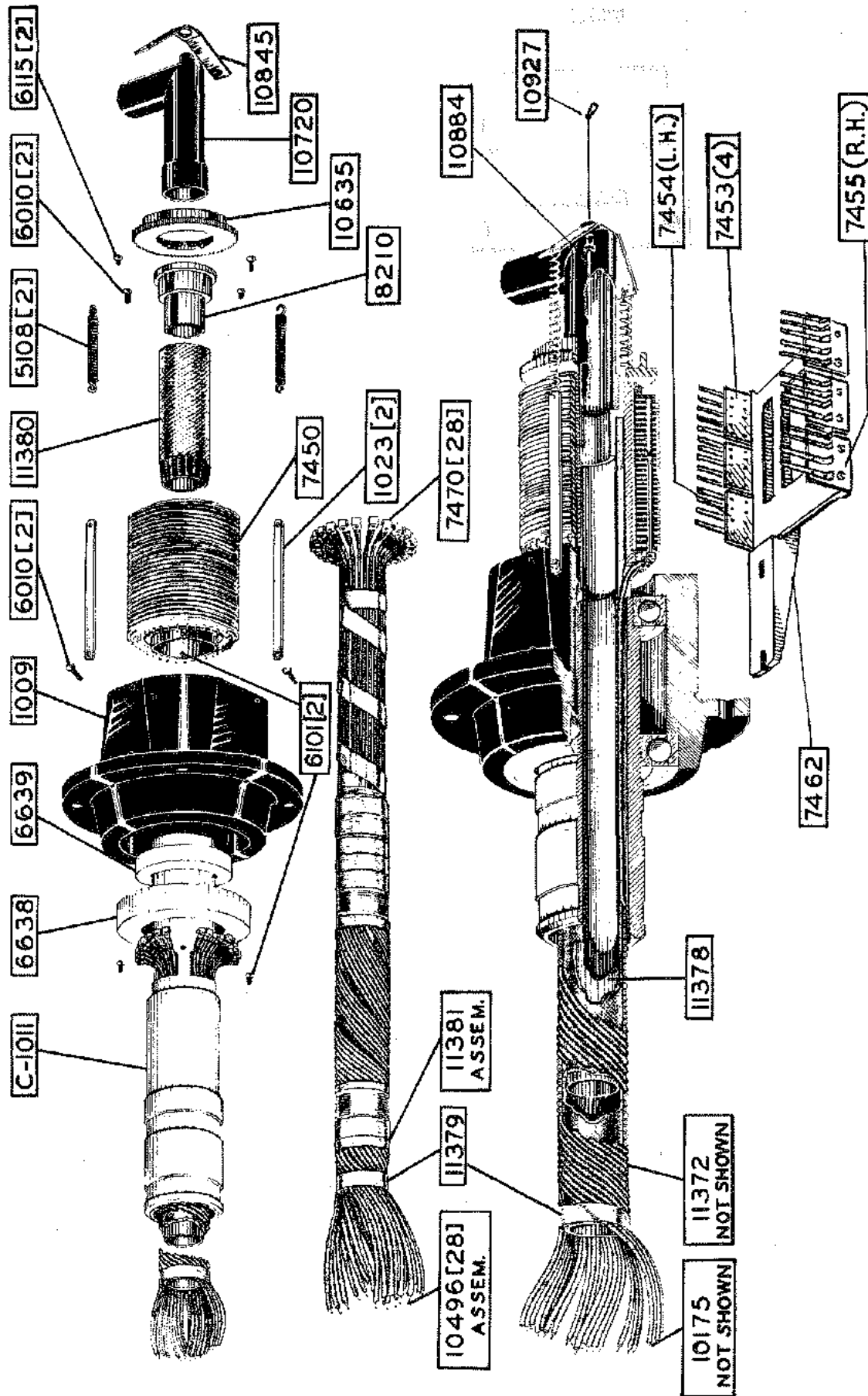
(Used on AN 2550-1 Trainer Models)

Part No.	Nomenclature
1004	Cross, Base
1006	Sheave, Base
1023	Strap, Transfer Elbow Sling Spring
C-1500	Octagon, Assembly, Turntable
1503	Support, Motor Mount Front
1506	Universal Assembly
1518	Elbow, Bellows
1520	Bellows & Toggle Assem., (Front and Rear)
1562	Strap, Fuselage Lock
5108	Spring, Tachometer Regulator
6013	Screw, R.H.I.W. #10 x 2" Cad. Plt.
6024	Screw, H.H.I.C. #1/4-20 x 5/8" Cad. Plt.
6051	Pin, Escutcheon #18 x 3/8 Brass Bright Dip
6056	Nut, Hexagon Iron #3/8"-16 x 5/8" x 1/4" Cad. Plt.
6090	Screw, R.H.I.M. #1/4"-20 x 1" Cad. Plt.
6108	Screw, R.H.I.M. 1/4-20 x 1 1/4 Cad Plt.
6110	Screw R.H.I.M. 1/4"-20 x 2" Cad. Plt.
6169	Screw, F.H.I.W. #8 x 3/4 - Cadmium
6174	Screw, #8 x 1 F.H.I.W. Cadmium
6178	Screw, Bristo Headless I. Set 3/8" -16 x 1 1/2 Cup Pt. Hardened
6197	Washer, 25/64" x 7/8" x .065" Steel Cad. Plt.
6204	Washer, 1/8" x 5/16" x 1/32" Brass Bright Dip
6511	Washer, 1/4" Spring Steel Lock
6512	Washer, 17/64" x 1 1/8" x 1/16" Steel Cad. Plt.
6768	Washer, 17/64" x 1/2" x 1/16" Steel Cad. Plt.
6874	Brad, #16 (.063") x 1" Steel
6886	Screw, H.H.I.C. #5/16-18 x 1 1/4" Cad Plt.
6921	Nut, Hexagon Iron #1/4"-20 x 7/16 x 5/32" Cad Plt.
7007	Ring, 3/8" x .046" Open Type Retaining
7028	Clamp, 15/16" I.D. Hose
7037	Screw, St. Side B.H.I.M. #5-40 x 5/16" Cad Plt.
7060	Washer, .378"-.376" x 9/16" x .063"-.060" Brass
7453	Brush Assembly, Collector
7454	Brush Assembly, Collector L.H.
7455	Brush Assembly, Collector R.H.
7462	Bracket, Collector Brush
7739	Housing Assembly, Base Teletorque
7820	Shaft Assembly, Standardization Trainer Bearing Housing
8090-	
8102	Tab, Azimuth
8110	Spring, Fuselage Lock Strap
8290	Flap, Bellows Release Pitching and Banking

Main Bellows, Turbine, Spindle and Collector

Ring Assembly (Continued)

Part No.	Nomenclature
8478	Washer, Wing Butt
8491	Toggle Assembly, Main Bellows
8495	Bellows Assembly, Front and Rear
8502	Hose, Rear Elevator & Right Aileron
8503	Hose, Front Elevator
8504	Hose, Left Aileron
8530	Spacer, Toggle MTG. Long
8531	Spacer, Toggle MTG. Short
8561	Shim, Turntable Cross (Left & Right Side)
8562	Shim, Turntable Cross (Rear)
8565	Plate, Octagon Stop
8590	Turbine Compressor
8805	Spacer, Bellows Bolt
8933	Nut, Bellows Ball
10845	Hanger, Transfer Elbow
10927	Cable Assembly, (Trainer End) Electric Throttle
10999	British Wind Drift Unit Assembly, Complete



7820 SHAFT ASSEMBLY, STANDARDIZATION TRAINER BEARING HOUSING

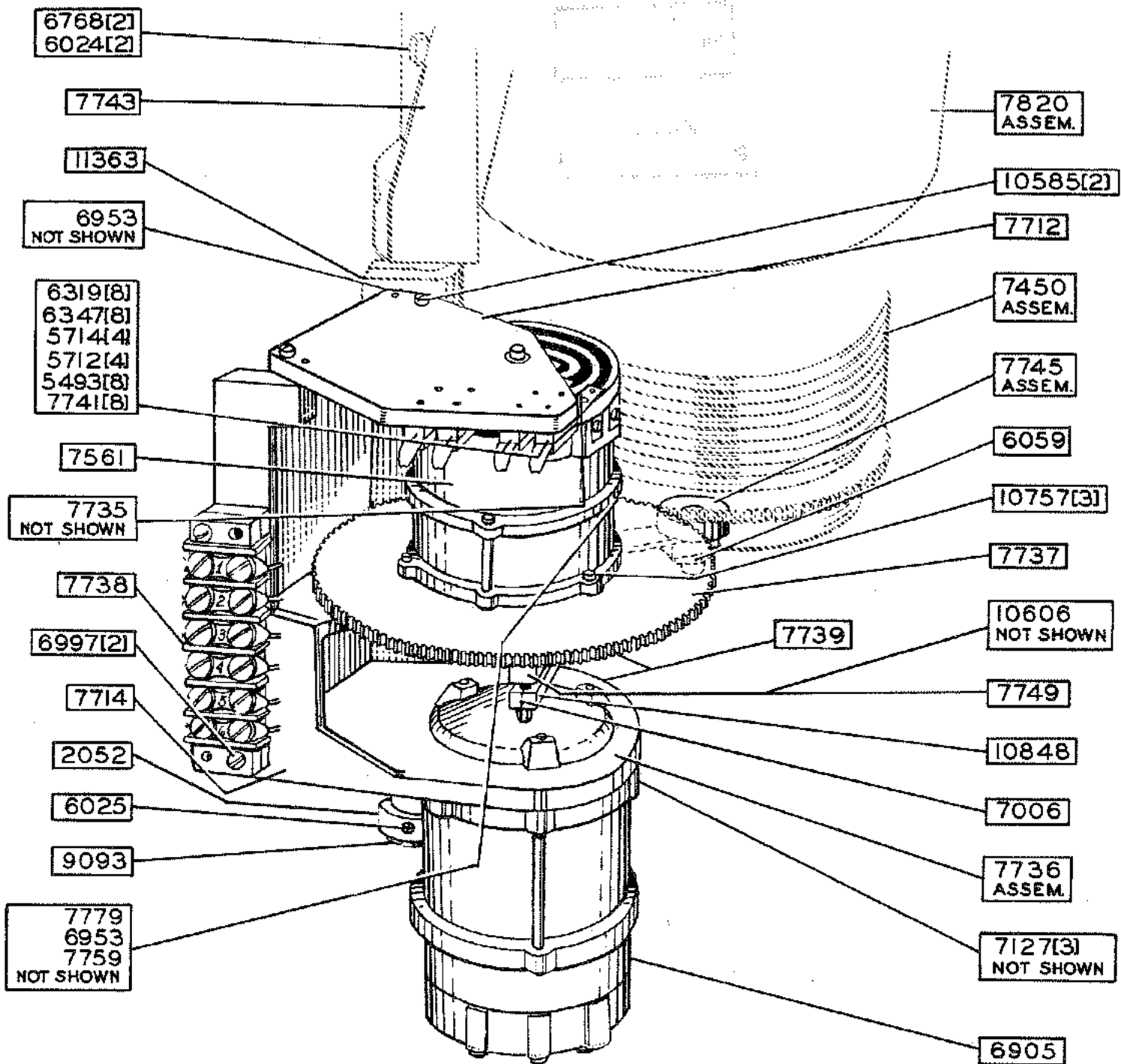
7820 Shaft Assembly, Standardization Trainer
Bearing Housing

(Used on AN 2550-1 Trainer Models)

Part No.	Nomenclature
1009	Housing, Bearing
C-1011	Shaft, Bearing Housing
1023	Strap, Transfer Elbow Sling Spring
5108	Spring, Tachometer Regulator
6010	Screw, R.H.I.M. #8-32 x 1/2" Cad.Plt.
6101	Screw, R.H.I.M. #6-32 x 1/4" Cad.Plt.
6115	Screw, R.H.I.M. #8-32 x 3/16" Cad.Plt.
6638	Bearing, Double Shield Ball (Top)
6639	Bearing, Double Shield Ball (Bottom)
7450	Collector Assembly
7453	Brush Assembly, Collector
7454	Brush Assembly, Collector L.H.
7455	Brush Assembly, Collector R.H.
7462	Bracket, Collector Brush
7470	Terminal, 1/8 Taper-Push-On
8210	Hub, Autosyn Pick-Up Gear
10175	Connector, 33 Contact End Clamp Socket
10496	Lead Assembly, Collector to Jones Plug
10635	Gear, Drive
10720	Elbow Assem., Transfer Type C-3 & C-5
10845	Hanger, Transfer Elbow
10884	Throttle Sheath Assembly, Wind Drift Unit
10927	Cable Assembly, (Trainer End) Electric Throttle
11372	Sleeve, Bearing Housing Tube
11378	Tube, Bearing Housing
11379	Tube, Conductor Elbow Connecting
11380	Tube, Autosyn Pick-Up Hub Connecting
11381	Tube Assembly, Bearing Housing Shaft

Mountings for this Assembly on Base

Part No.	Nomenclature
6542	Screw, 3/8"-16 x 1 1/4" Hexagon Cap - St. - Cad.Plt.

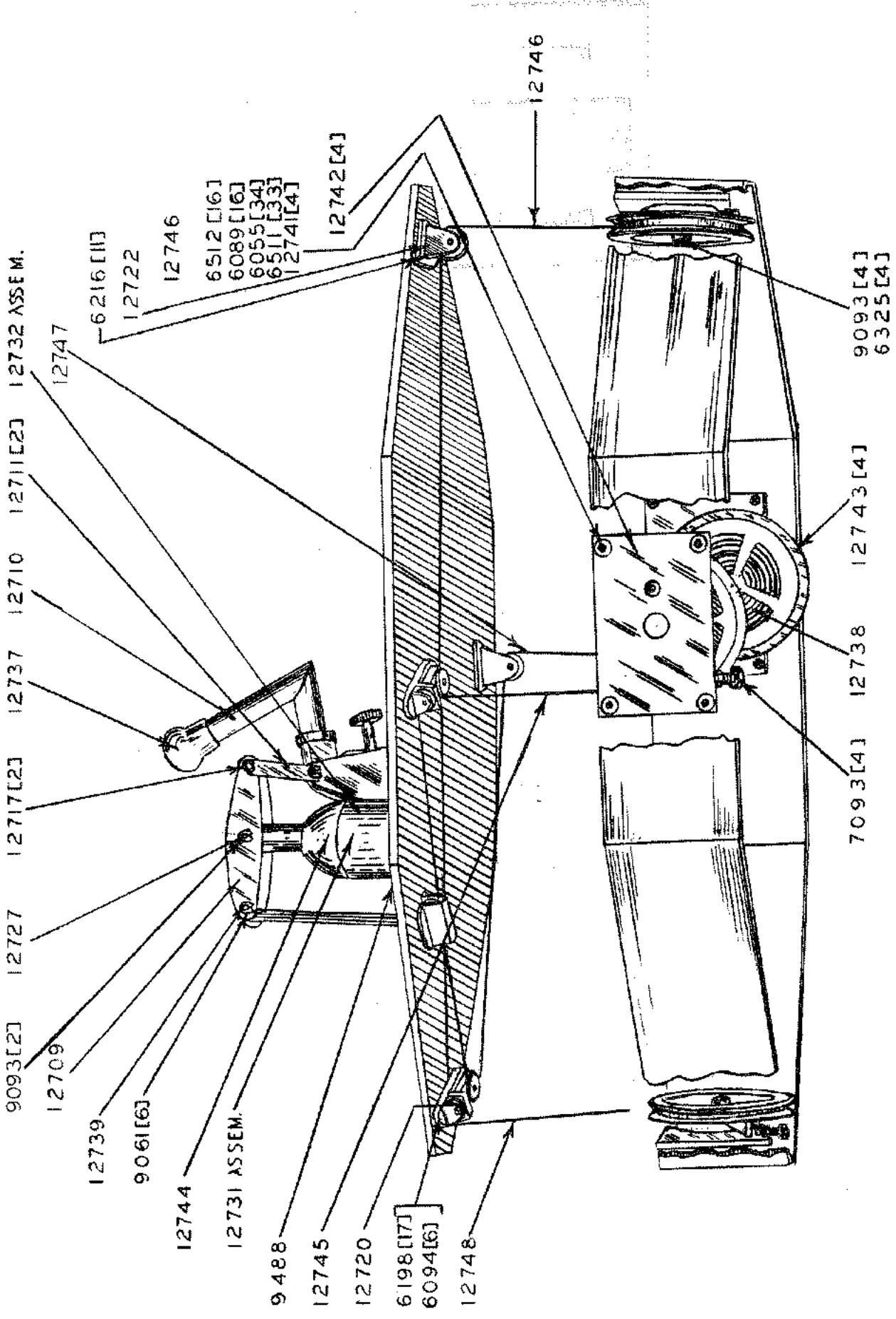


INSTALLATION, BASE TELETORQUE

Base Teletorque Installation

(Used on AN 2550-1 Trainer Models)

<u>Part No.</u>	<u>Nomenclature</u>
2052	Collar, 3/8" Set
5493	Spacer, Contact - 1/8"
5712	Spring Assembly, Outer Contact
5714	Spring, Outer Contact
6024	Screw, H.H.I.C. #1/4-30 x 5/8" Cad. Plt.
6025	Screw, Bristo Headless I. Set #10-24 x 3/16" Cup Pt. Hardened
6059	Nut, Hexagon Iron, #10-32 x 3/8" x 1/8" Cad. Plt.
6319	Washer, .130" x 9/32 x .025" Brass Cad. Plt.
6347	Screw, R.H.I.M. #5-40 x 5/8 Cadmium Plate
6768	Washer, 17/64" x 1/2" x 1/16" Steel Cad. Plt.
6905	Teletorque Unit
6953	Screw, Fil. H.I.M. #10-32 x 5/8" Cad. Plt.
6997	Screw, Fil. H.I.M. #5-40 x 1/2" Cad. Plt.
7006	Screw, Bristo Headless I. Set #5-40 x 1/8" Cup Pt. Harden
7127	Screw, Fil. H.I.M. #3-48 x 1/2" Cad. Plt.
7450	Collector Assembly
7561	Teletorque, Base Unit
7712	Cover, Base Teletorque Housing
7714	Housing, Base Teletorque
7735	Cable Assembly, Base Teletorque
7736	Cover Assembly, Base Teletorque Housing
7737	Gear, Base Teletorque Housing Drive
7738	Strip, 6 Terminal
7739	Housing Assembly, Base Teletorque Note: This unit shown in heavy lines on view of base teletorque installation
7741	Insulator, Contact Screw 9/32
7743	Bracket Assembly, Base Teletorque Pivot
7745	Stud Assembly, Base Teletorque Adjusting
7749	Arm Assembly, Base Teletorque Driving
7759	Spring, Base Teletorque Tension
7779	Arm, Base Teletorque Tension Spring
7820	Shaft Assembly, Standardization Trainer Bearing Housing
9093	Clip, Spring (.281" x .020")
10585	Screw, Fil. H.I.M. #8-32 x 5/8" Cad. Plt.
10606	Screw, Fil. H.I.M. #5-40 x 1/4" O.H. Cad. Plt.
10757	Screw, Fil. H.I.M. #6-32 x 3/8" Cad. Plt.
10848	Arm, Autosyn Driving
11363	Stop, Base Teletorque Unit

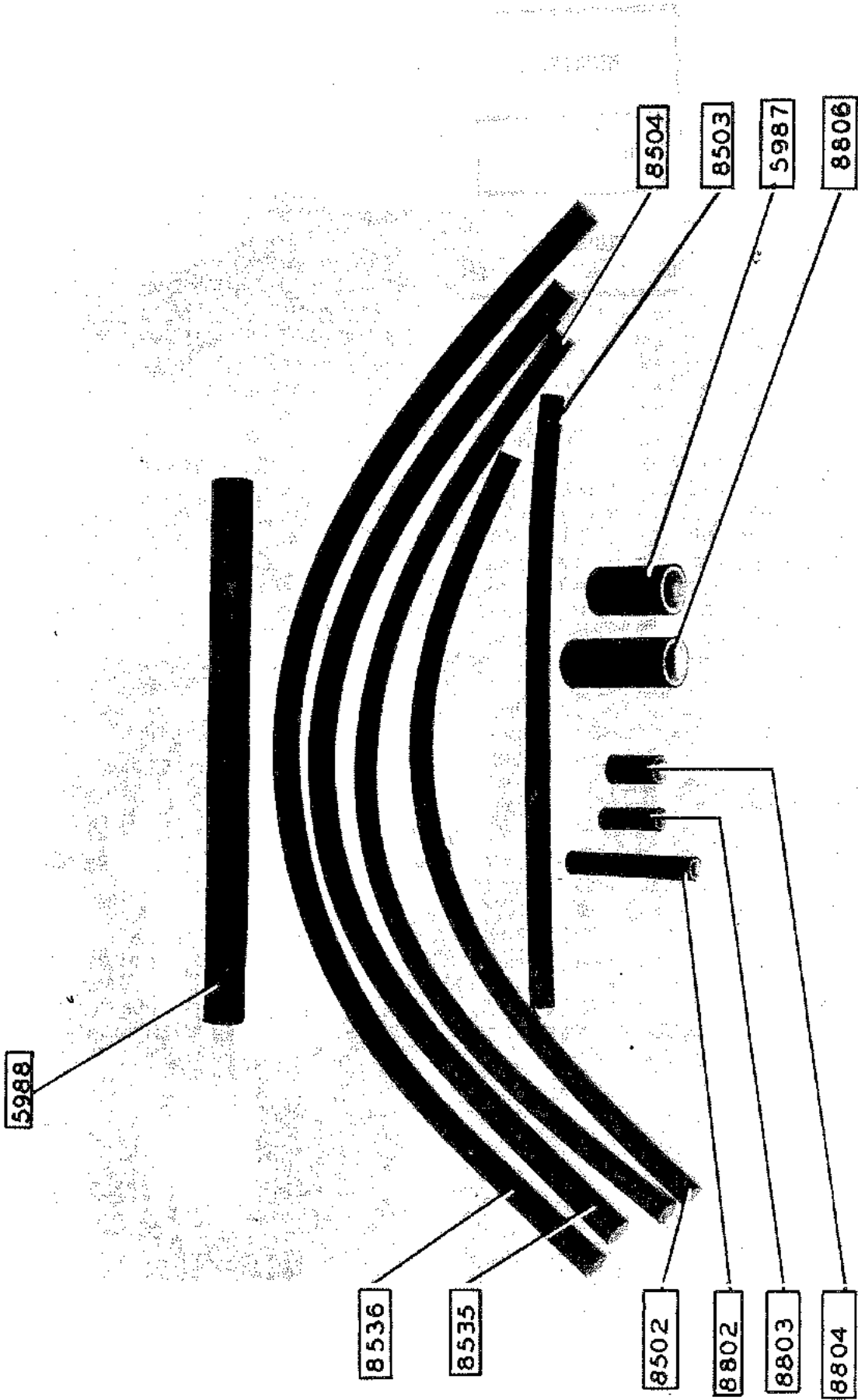


12750 INSTALLATION, LEVELING DEVICE

12750 Installation, Leveling Device

(Used on C3, C5 Trainer Models)

Part No.	Nomenclature
6055	Nut, Hexagon Iron #1/4"-20 x 7/16" x 3/16" Cad.Plt.
6089	Screw, R.H.I.M.; #1/4"-20 x 1 1/2" Cad.Plt.
6094	Screw, R.H.I.M. #1/4"-20 x 2 1/4" Cad. Plt.
6198	Washer, 9/32" x 5/8" x .041" Steel Cad. Plt.
6216	Screw, R.H.I.M. #1/4"-20 x 1 3/4" Cad. Plt.
6325	Washer, 7/16"-1" x 3/32" Steel-Plain
6511	Washer, 1/4" Spring Steel Lock
6512	Washer, 17/64" x 1/8" x 1/16" Steel Cad. Plt.
7093	Screw, 1/4-20 x 1 1/4" H.H.I.C. Cad Plt.
9061	Clip, Spring (.187" x .020")
9093	Clip, Spring (.281" x .020")
9488	Washer, Leveling Device
12709	Lever, Leveling Device Jack
12710	Lever, Leveling Device Jack Hand
12711	Link, Leveling Device Jack Lever
12717	Pin, Jack Lever
12720	Bracket Assembly, Leveling Device Pulley (L.H.)
12722	Bracket Assembly, Leveling Device Single Pulley
12727	Pin, Jack Plunger
12731	Jack and Lever Assem., Leveling Device
12732	Jack Assembly, Leveling Device
12737	Knob, Leveling Device Hand Lever
12738	Spring, Leveling Device Torsion
12739	Pin, Lever Cable
12741	Bracket, Leveling Device Spring Adjustment Screw
12742	Plate Assembly, Leveling Device Mounting
12743	Pulley Assembly, Leveling Device Cable
12744	Oil Jack, Leveling Device
12745	Cable Assembly, Leveling Device (Right Rear)
12746	Cable Assembly, Leveling Device (Right Front)
12747	Cable Assembly, Leveling Device (Left Front)
12748	Cable Assembly, Leveling Device (Left Rear)



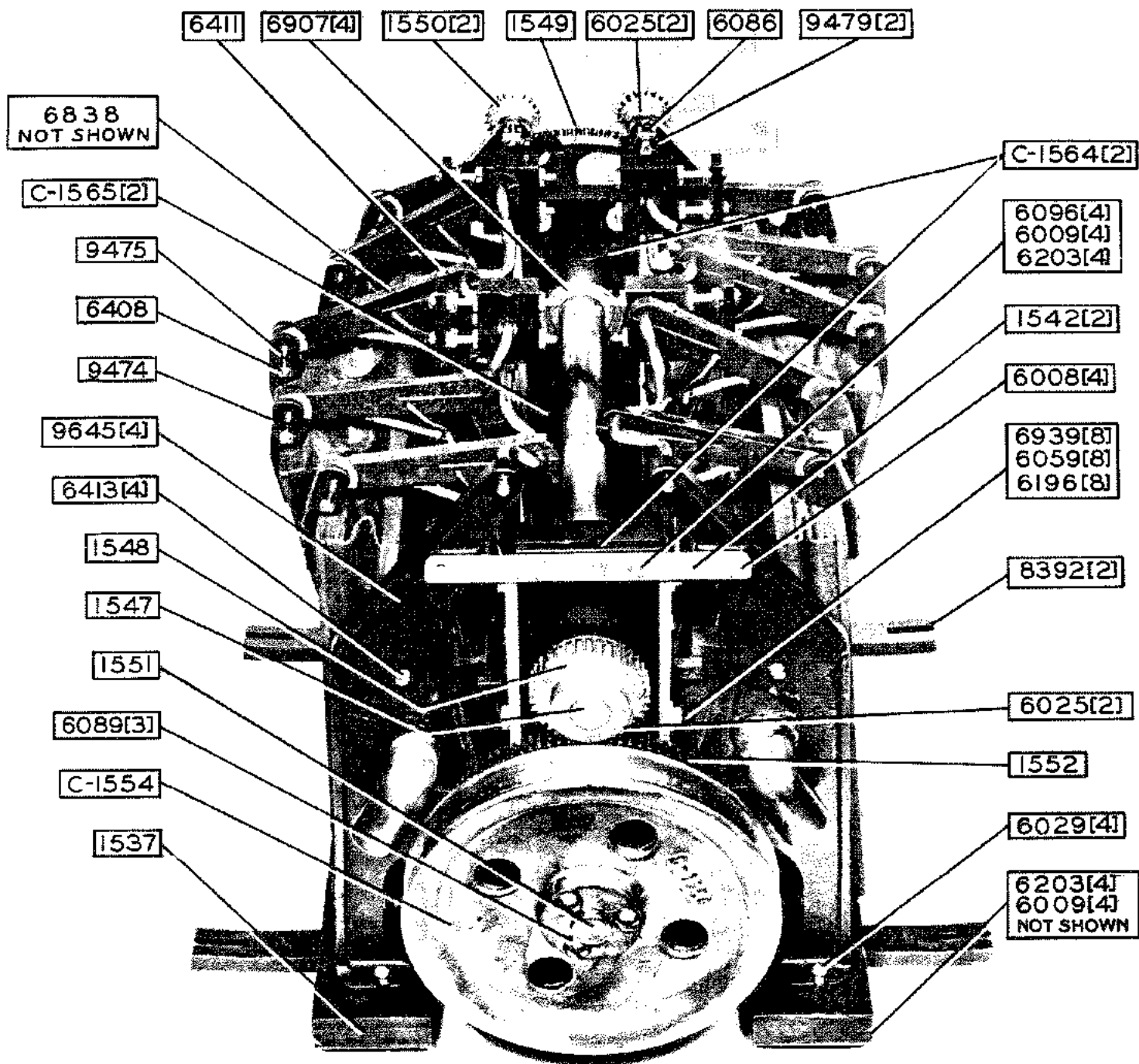
HOSE

Hose

(Used on all Trainer Models)

<u>Part No.</u>	<u>Nomenclature</u>
5987	Tube, Transfer Elbow to Turbine Connector (3/16" Wall x 1 1/2" I.D. x 3 1/4")
*5988	Tube, Autosyn Pickup Hub to Conductor Elbow Connector (3/16" Wall x 1 1/2" I.D. x 26")
8502	Hose, Rear Elevator and Right Aileron (1/8" Wall x 5/8" I.D. x 36")
8503	Hose, Front Elevator (1/8" Wall x 5/8" I.D. x 25")
8504	Hose, Left Aileron (1/8" Wall x 5/8" I.D. x 45")
8535	Hose, Turning Motor-Right (1/8" Wall x 7/8" I.D. x 49")
8536	Hose, Turning Motor-Left (1/8" Wall x 7/8" x 56")
8802	Hose, Manifold to Aileron Valve (1/8" Wall x 5/8" I.D. x 5 1/2")
8803	Hose, Manifold to Elevator Valve (1/8" Wall x 5/8" I.D. x 2 1/2")
8804	Hose, Manifold to Rudder Valve (1/8" Wall x 7/8" I.D. x 2")
8806	Hose, Manifold to Cond. Elbow (3/16" Wall x 1 1/2" I.D. x 4 1/2")

*Note: Used on all Trainer Models prior to Trainer Number 4395. Refer to 7820 Bearing Housing Shaft Assembly for new design on AN 2550-1 Trainer Model.



C-1536 MOTOR ASSEMBLY, TURNING

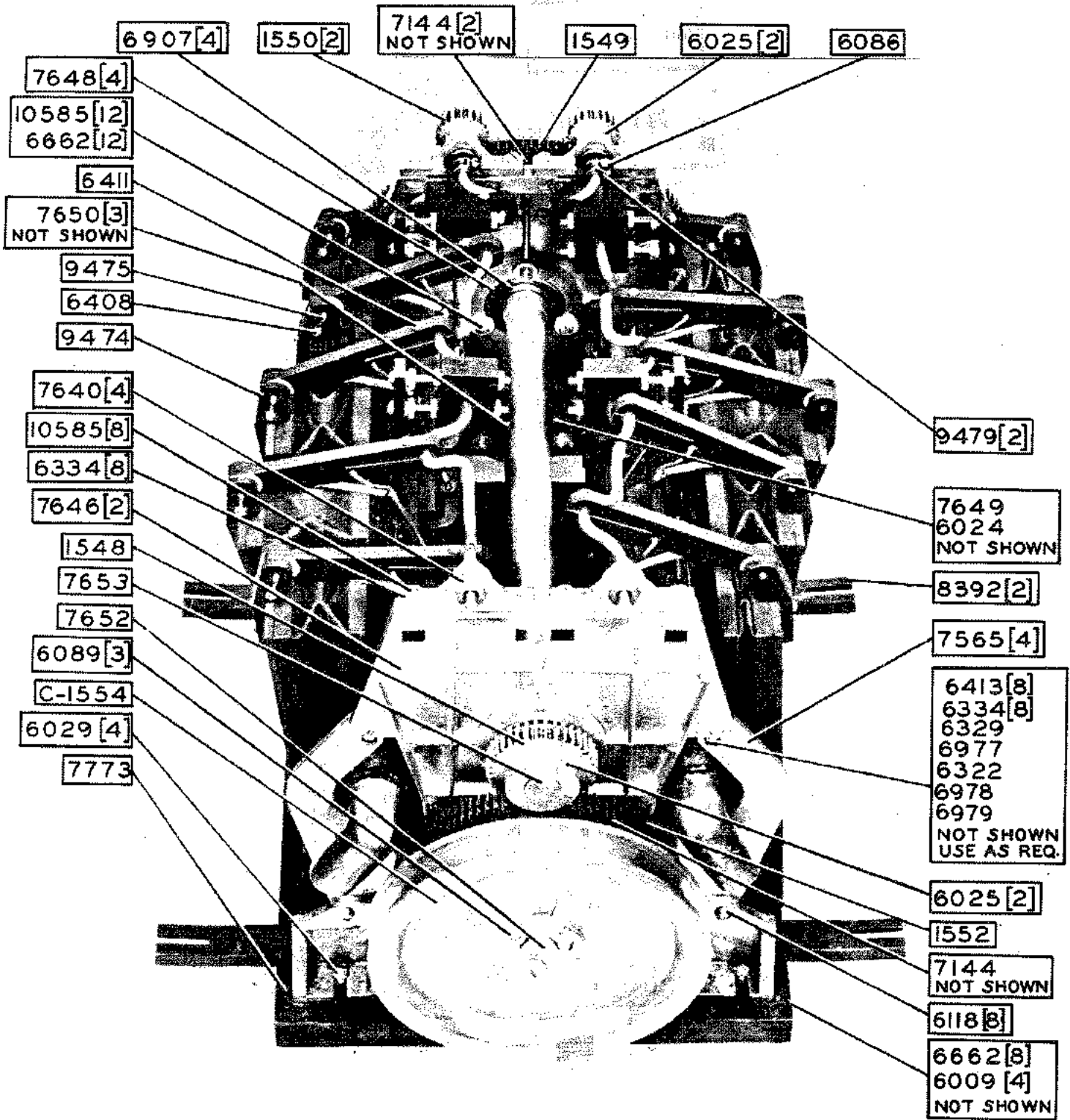
C-1536 Motor Assembly, Turning

(Used on all Trainer Models except AN 2550-1)

<u>Part No.</u>	<u>Nomenclature</u>
1537	Back, Turning Motor
1542	Strap, Spacer Brace Short
1547	Shaft, Front Turning Motor
1548	Gear, Front Shaft Top
1549	Gear, Front Shaft Bottom
1550	Gear, Turning Motor Crankshaft
1551	Shaft, Rear Turning Motor
1552	Gear, Top Turning Motor Shaft
C-1554	Pulley, Turning Motor
C-1564	Support, Turning Motor Front Shaft Bearing
C-1565	Support, Turning Motor Rear Shaft Bearing
6008	Screw, R.H.I.M. #8-32 x 3/8" Cad. Plt.
6009	Nut, Hexagon Iron #8-32 x 11/32" x 1/8" Cad. Plt.
6025	Screw, Bristo Headless I. Set #10-24 x 3/16" Cup Pt. Hardened
6029	Screw, R.H.I.M. #8-32 x 1 1/4" Cad. Plt.
6059	Nut, Hexagon Iron #10-32 x 3/8" x 1/8" Cad. Plt.
6086	Screw, R.H.I.M. #6-32 x 3/16" Cad. Plt.
6089	Screw, R.H.I.M. #1/4"-20 x 1 1/2" Cad. Plt.
6096	Screw, R.H.I.M. #8-32 x 7/8" Cad. Plt.
6196	Washer, 13/64" x 1/2" x .049" Steel Cad. Plt.
6203	Washer, 11/64" I.D. x 3/8" O.D. x 1/32" Steel Cad. Plt.
6408	Screw, R.H.I.W. #2 x 1/4 Nickel Plated
6411	Screw, R.H.I.W. #4 x 5/8 Nickel Plt.
6413	Screw, #8 x 1 1/4 R.H.I.W. Nickel Plated
6907	Bearing, Double Plate Ball (Light Series)
6938	Nut, Plastic 1/4" Dia. x 5/32" #46 Hole
6939	Screw, Fil. H.I.M. #10-32 x 2 3/4" Cadmium
8392	Support, Motor Back Hanger
9474	Clevis, Turning Motor Bank
9475	Pin, Turning Motor Bank Flange
9479	Collar, Turning Motor Bank
9645	Pedestal, Turning Motor

Mountings for this Assembly Used on Octagon

6009	Nut, Hexagon Iron #8-32 x 11/32" x 1/8" Cad. Plt.
6010	Screw, R.H.I.M. #8-32 x 1/2" Cad. Plt.



7645 MOTOR ASSEMBLY, TURNING

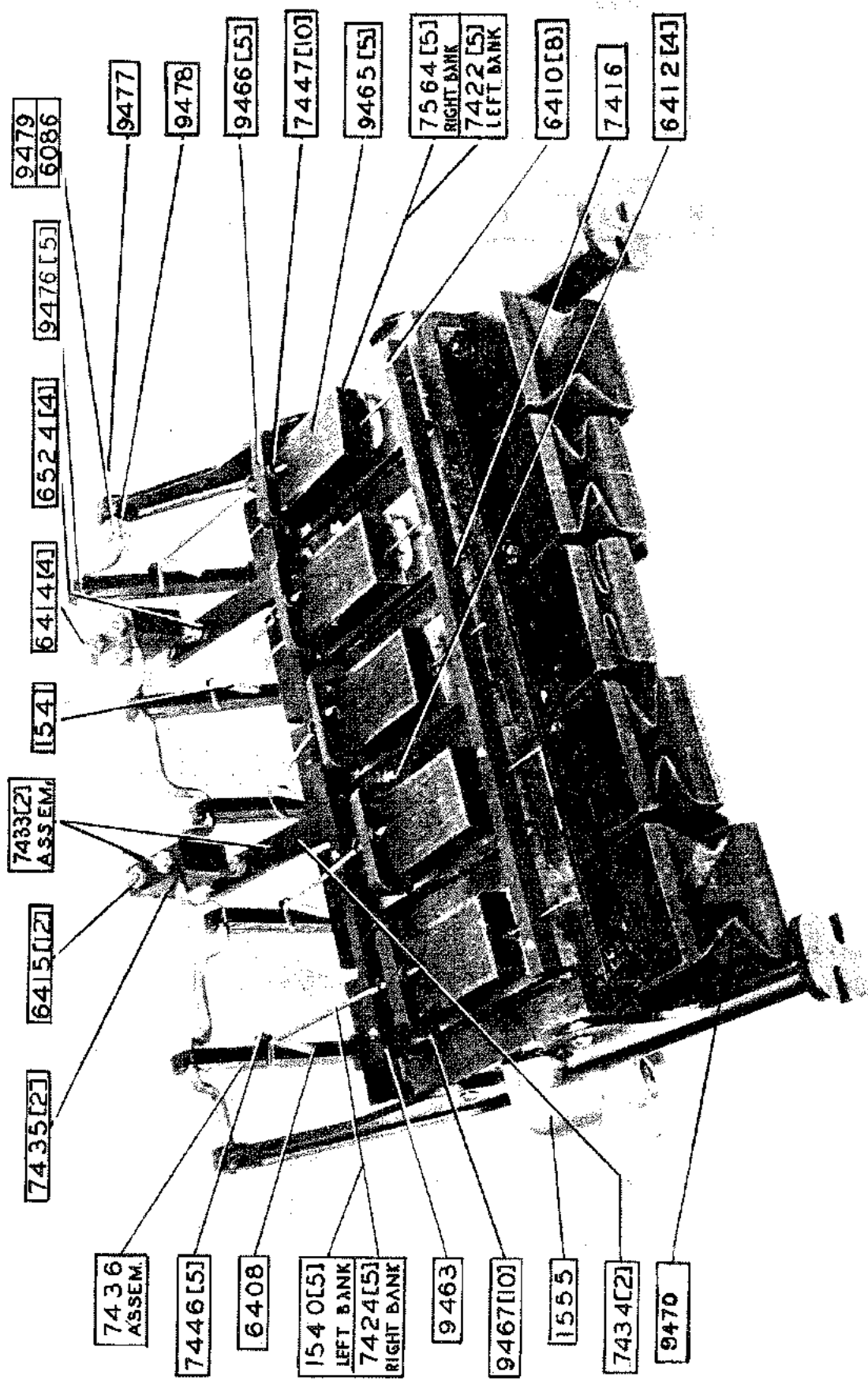
7645 Motor Assembly, Turning

(Used on AN 2550-1 Trainer Models. It
supersedes and is interchangeable with
C-1536 assembly.)

Part No.	Nomenclature
1548	Gear, Front Shaft Top
1549	Gear, Front Shaft Bottom
1550	Gear, Turning Motor Crankshaft
1552	Gear Top Turning Motor Shaft
C-1554	Pulley, Turning Motor
6009	Nut, Hexagon Iron #8-32 x 11/32" x 1/8" Cad. Plt.
6024	Screw, H.H. I.C. #1/4 - 20 x 5/8" Cad. Plt.
6025	Screw, Bristo Headless I. Set #10-24 x 3/16" Cup Pt. Hardened
6029	Screw, R.H.I.M. #8-32 x 1 1/4" Cad. Plt.
6086	Screw, R.H.I.M. #6-32 x 3/16" Cad. Plt.
6089	Screw, R.H.I.M. #1/4" - 20 x 1 1/2" Cad. Plt.
6118	Screw, R.H.I. #10-32 x 3/8" Cad. Plt.
6322	Washer, Plain 3/16" x 3/8" x 1/64" Brass
6329	Washer, Precision .187" x 5/16" x .064" Brass Cad. Plt.
6334	Washer, #8 Internal Teeth - Lock Steel
6408	Screw, R.H.I.W. #2 x 1/4 Nickel Plated
6411	Screw, R.H.I.W. #4 x 5/8 Nickel Plt.
6413	Screw, #8 x 1 1/4 R.H.I.W. Nickel Plated
6662	Washer, .172"-.169" x 1/2" x .052"-.048" Steel
6907	Bearing, Double Plate Ball (Light Series)
6977	Washer, .189"-.187" x 3/8" x .002" Brass
6978	Washer, .189"-.187" x 3/8" x 1/32" Brass
6979	Washer, .189" - .187" x 3/8" x 3/64" Brass
7144	Screw, Bristo Headless Set, # 5/16"-18 x 1/2" Cup Point Hardened
7565	Plate, Turning Motor Bank Hanger
7640	Housing Assembly, Turning Motor Crankshaft Bearing
7646	Pedestal Turning Motor
7648	Retainer, Turning Motor Bearing
7649	Washer, 17/64" x 7/8" x 3/32" Steel
7650	Spacer, Turning Motor Bearing
7652	Shaft, Turning Motor Rear
7653	Shaft, Turning Motor Front
7773	Back, Turning Motor
8392	Support, Motor Back Hanger
9474	Clevis, Turning Motor Bank
9475	Pin, Turning Motor Bank Flange
9479	Collar, Turning Motor Bank
10585	Screw, Fil. H.I.M. #8-32 x 5/8" Cad. Plt.

Mountings for this Assembly used on the Base

6009	Nut, Hexagon Iron #8-32 x 11/32" x 1/8" Cad. Plt.
6010	Screw, R.H.I.M. #8-32 x 1/2" Cad. Plt.



- 6867 BANK ASSEMBLY, TURNING MOTOR LEFT
- 6868 BANK ASSEMBLY, TURNING MOTOR RIGHT

6867 Bank Assembly, Turning Motor (Left)

6868 Bank Assembly, Turning Motor (Right)

(Used on all Trainer Models)

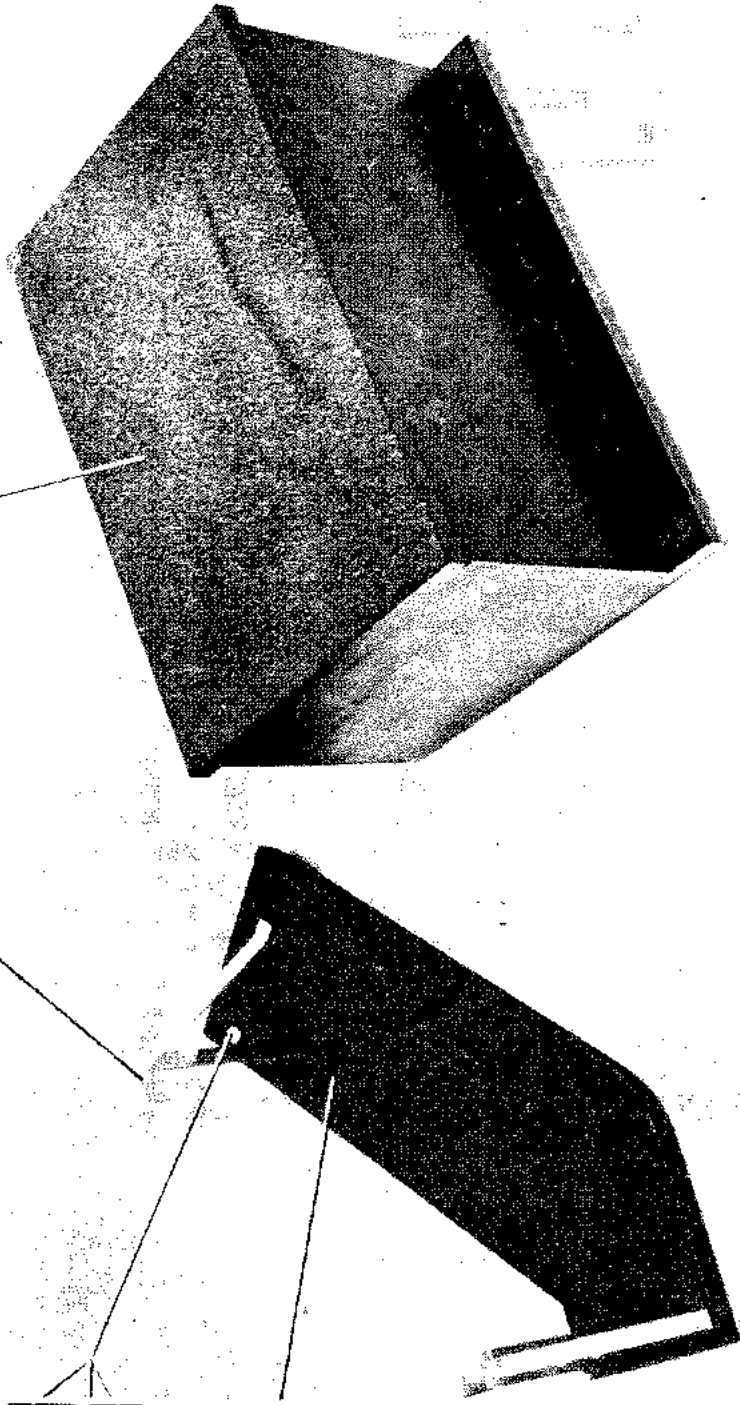
Part No.	Nomenclature
1540	Rod, Valve Link
1541	Spring, Valve Link Rod
1555	Elbow, Turning Motor Bellows
6086	Screw, R.H.I.W. #6-32 x 3/16" Cad. Plated
6408	Screw, R.H.I.W. #2 x 1/4" Nickel Plated
6410	Screw, R.H.I.W. #3 x 5/8" Nickel Plated
6412	Screw, R.H.I.W. #8 x 3/4" Nickel Plated
6414	Screw, R.H.I.W. #8-32 x 2" Nickel Plated
6415	Nut, #8-32 x 11/32" x 1/8" H.I. Nickel Plated
6524	Washer, #8 Spring Steel Lock
7416	Guide, Turning Motor Bank Valve (Bottom)
7422	Valve Assembly, Turning Motor Bank (L.H.)
7424	Rod, Turning Motor Bank Valve (R.H.)
7433	Bearing Assembly, Turning Motor Bank
7434	Brace, Turning Motor Bank Intermediate Bearing
7435	Block, Turning Motor Bank Intermediate Bearing
7436	Arm Assembly, Turning Motor Bank
7446	Nut, Plastic-.070" Hole x 5/16" x 5/32"
7447	Nut, Plastic-.089" Hole x 5/16" x 5/32"
7564	Valve Assembly, Turning Motor Bank (R.H.)
9463	Guide, Turning Motor Bank Valve (Top)
9465	Cover, Valve Slide
9466	Yoke, Turning Motor Bank Valve
9467	Pin, Valve .055" Dia. x 5/8" Lg.
9470	Gusset, Turning Motor Bank Bellows
9476	Arm, Turning Motor Link
9477	Shaft, Turning Motor Bank Crank
9478	Washer, 13/64" I.D. x 3/8" O.D. x 3/64" -Fibre
9479	Collar, Turning Motor Bank

ASSEM.
2198

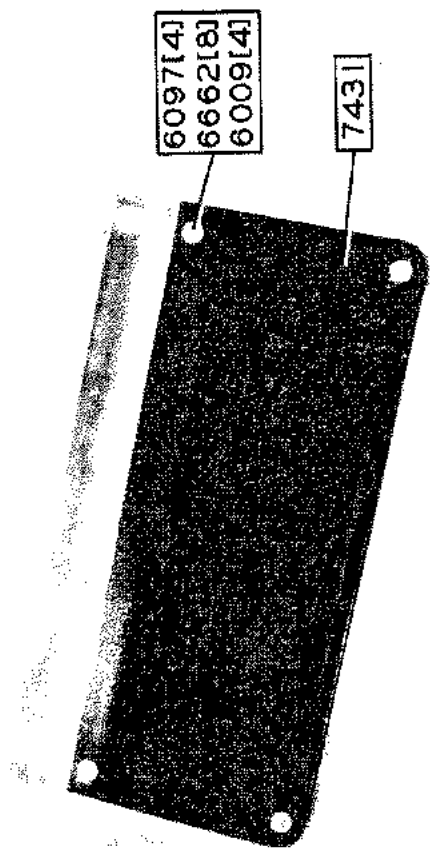
1534 [2]

6059 [4]
6219 [4]
6196 [2]

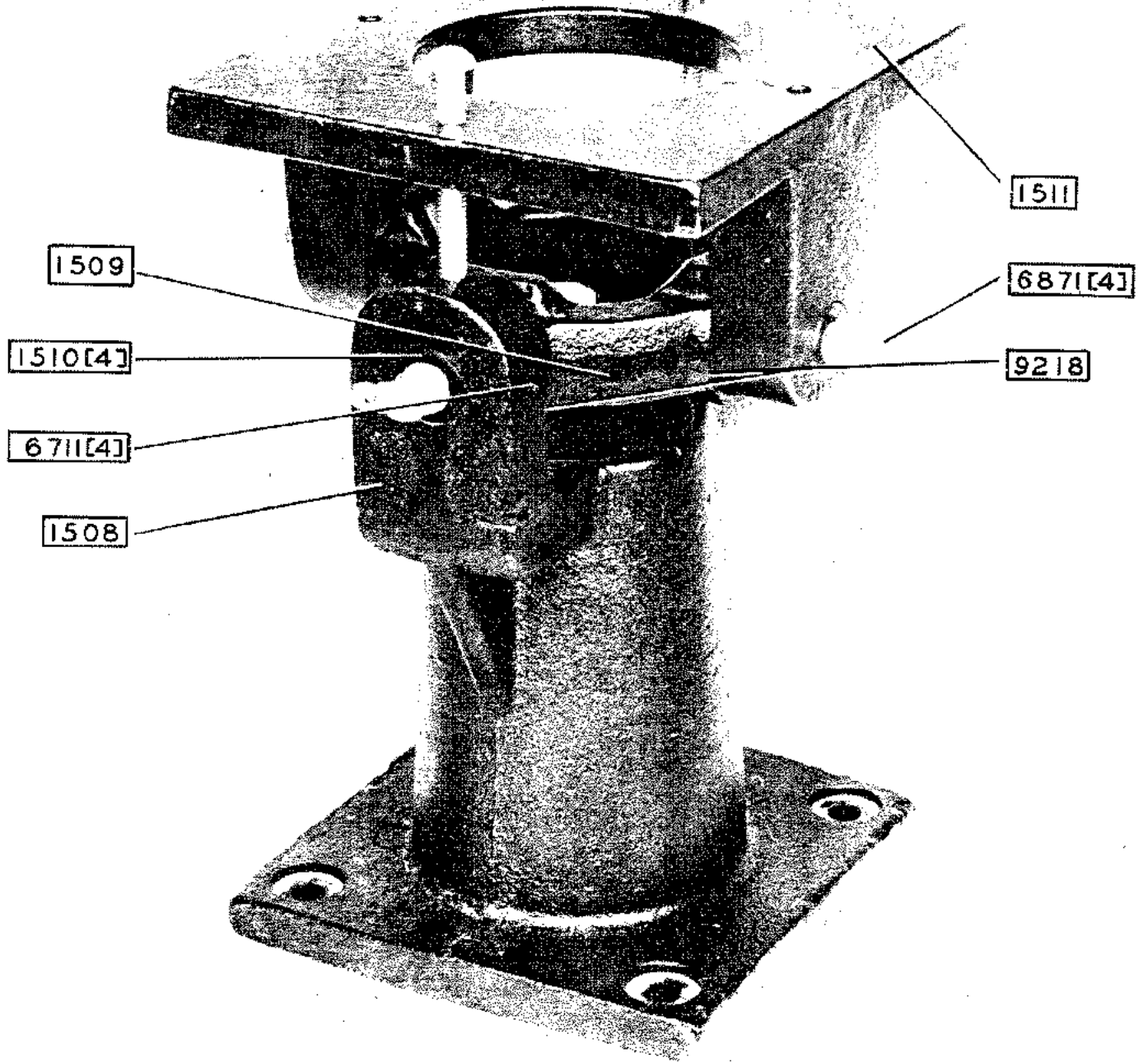
5642
ASSEM.



5642 STEP ASSEMBLY 2198 BOX ASSEMBLY, TOOL AND STEP



7438 STEP ASSEMBLY, TRAINER



1506 UNIVERSAL ASSEMBLY

5642 Step Assembly

(This assembly supersedes Assembly No. 1533 for use on all Trainer Models. It is interchangeable.)

<u>Part No.</u>	<u>Nomenclature</u>
1534	Bracket Assembly, Step
5642	Step Assembly
6059	Nut, Hexagon Iron #10-32 x 3/8" x 1/8" Cad. Plt.
6196	Washer, 13/64" x 1/2" x .049" Steel Cad. Plt.
6219	Screw, R.H.I.M. #10-32 x 1-1/4" Cad. Plt.

2198 Box Assembly, Tool and Step

(Used on all Trainer Models)

<u>Part No.</u>	<u>Nomenclature</u>
2198	Box Assembly, Tool and Step

7438 Step Assembly, Trainer

(Used on AN 2550-1 Trainer Models)

<u>Part No.</u>	<u>Nomenclature</u>
6009	Nut, Hexagon Iron #8-32 x 11/32" x 1/8" Cad. Plt.
6097	Screw, R.H.I.M. #8-32 x 5/8" Cad. Plt.
6662	Washer, .172"-.169" x 1/2" x .052"-.048" Steel
7431	Step, Trainer
7437	Bracket Assembly, Trainer Step

Mountings for this Assembly

6009	Nut, H.I. #8-32 x 11/32 x 1/8
6011	Screw, R.H.I.W. #8 x 3/4
6029	Screw, R.H.I.M. #8-32 x 1 1/4
6662	Washer, .172-.169 x 1/2 x .052 x .048" Steel

Note: This assembly supersedes Assembly 5642 for use on all Trainer Models. It is interchangeable.)

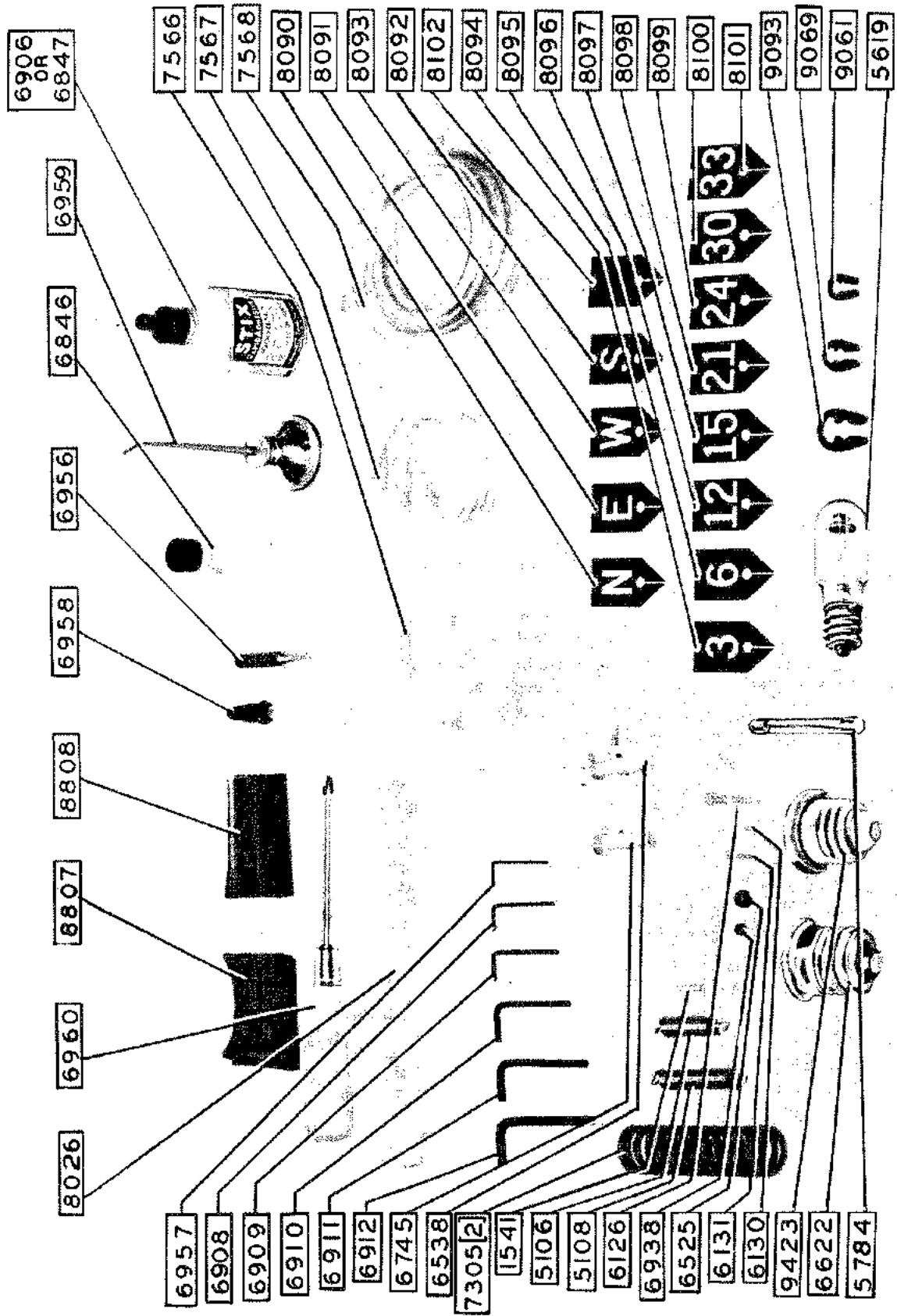
1506 Universal Assembly

(Used on all Trainer Models)

Part No.

Nomenclature

1508	Standard, Universal Long
1509	Ring, Universal
1510	Pin, Universal
1511	Standard, Universal Short
6711	Screw, Bristo Headless I. Set #1/4-20 x 3/8" Cup Point Hardened
6871	Fitting, 1/8" Pipe Thread Angle
9218	Washer, .760"-.755" x 1-1/2" x .002" Steel



TOOL KIT

Tool Kit

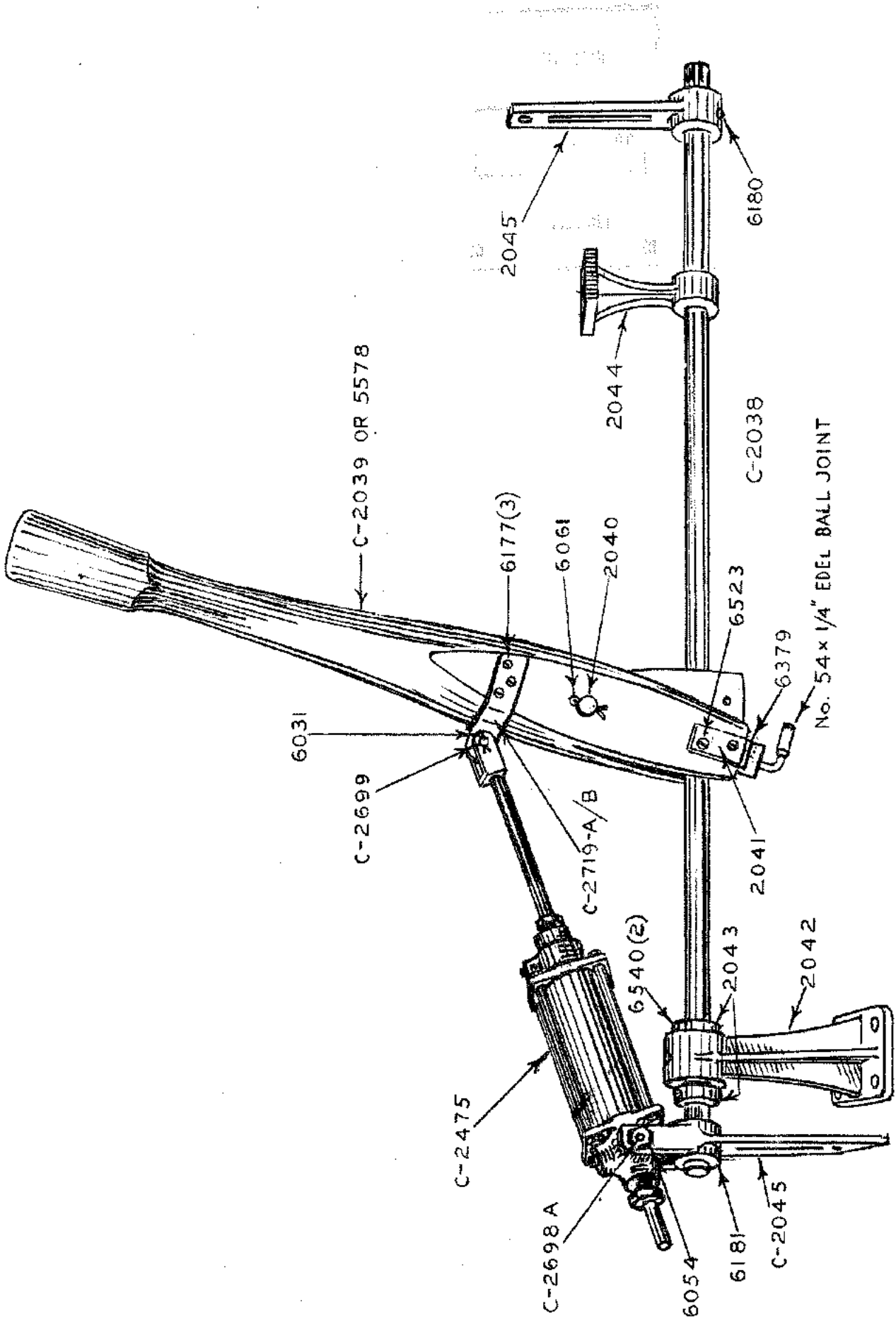
(Used on All Trainer Models)

Part No.	Nomenclature
1541	Spring, Valve Link Rod
5106	Spring, Air Speed Regulator
5108	Spring, Tachometer Regulator
5619	Neon Lamp
5784	Fuse, 3 Ampere
6126	Screw, R.H.I.W. #8 x 1 1/4" Cad. Plt.
6130	Screw, R.H.I.W. #2 x 1/4" Cad. Plt.
6131	Screw, R.H.I.W. #8 x 1" Cad. Plt.
6525	Nut, Plastic #3/8" x 1/4" #41 Hole
6538	Ball Joint Assembly, 9/16" Shank x 10-32 Thread
6622	Fuse, 3 Amp. Plug Type
6745	Ball Joint Assembly, 9/16" Shank & 1/4"-28 Thread
6846	Castor Oil, 1 Oz. Bottle
6847	Adhesive, 2 Oz. Bottle
6906	Adhesive, 16 Oz. Jar.
6908	Wrench, Bristo Fluted Socket - #8 Set Screw
6909	Wrench, Bristo Fluted Socket - #10 Set Screw
6910	Wrench, Bristo Fluted Socket #1/4" Set Screw
6911	Wrench, Bristo Fluted Socket - 5/16" Set Screw
6912	Wrench, Bristo Fluted Socket - 3/8" Set Screw
6933	Nut, Plastic 1/4" Dia. x 5/32" #46 Hole
6956	Screw Driver, Compass Compensator
6957	Wrench, Bristo Fluted Socket - #5-40 Set Screw
6958	Dropper, medicine
6959	Can, 1/2 Oz. Oil
6960	Screw Driver, #2A Phillips Head
7305	Spring, Control Loading (100 lb.)
7566	Tubing, 1/8" I.D. x 1/16" Wall Transflex Clear
7567	Tubing, 7/32" I.D. x 5/64" Wall Transflex Clear
7568	Tubing, 5/16" I.D. x 3/32" Wall Transflex Clear
* 8026	Wrench, Bellows Nut
8090	Tab, Azimuth
8091	Tab, Azimuth - "E"
8092	Tab, Azimuth - "S"
8093	Tab, Azimuth - "W"
8094	Tab, Azimuth - "3"
8095	Tab, Azimuth - "6"
8096	Tab, Azimuth - "12"
8097	Tab, Azimuth - "15"
8098	Tab, Azimuth - "21"

* Note: Parts marked with an asterisk are obsolete. They are either available for service or a substitution of recent design may be made.

Tool Kit (Continued)

Part No.	Nomenclature
8099	Tab, Azimuth - "24"
8100	Tab, Azimuth - "30"
8101	Tab, Azimuth - "33"
8102	Blank, No Numeral or Letter
<u>NOTE:</u>	Part Nos. 8090 to 8102 are furnished in complete sets only and should be ordered by fol- group number: 90067 tab, azimuth (complete set)
8807	Patch, Leather
8808	Patch, Bellows Fabric
9061	Clip, Spring (.187" x .020")
9069	Clip, Spring (.125" x .020")
9093	Clip, Spring (.281" x .020")
9423	Fuse, 6 Amp. Plug Type



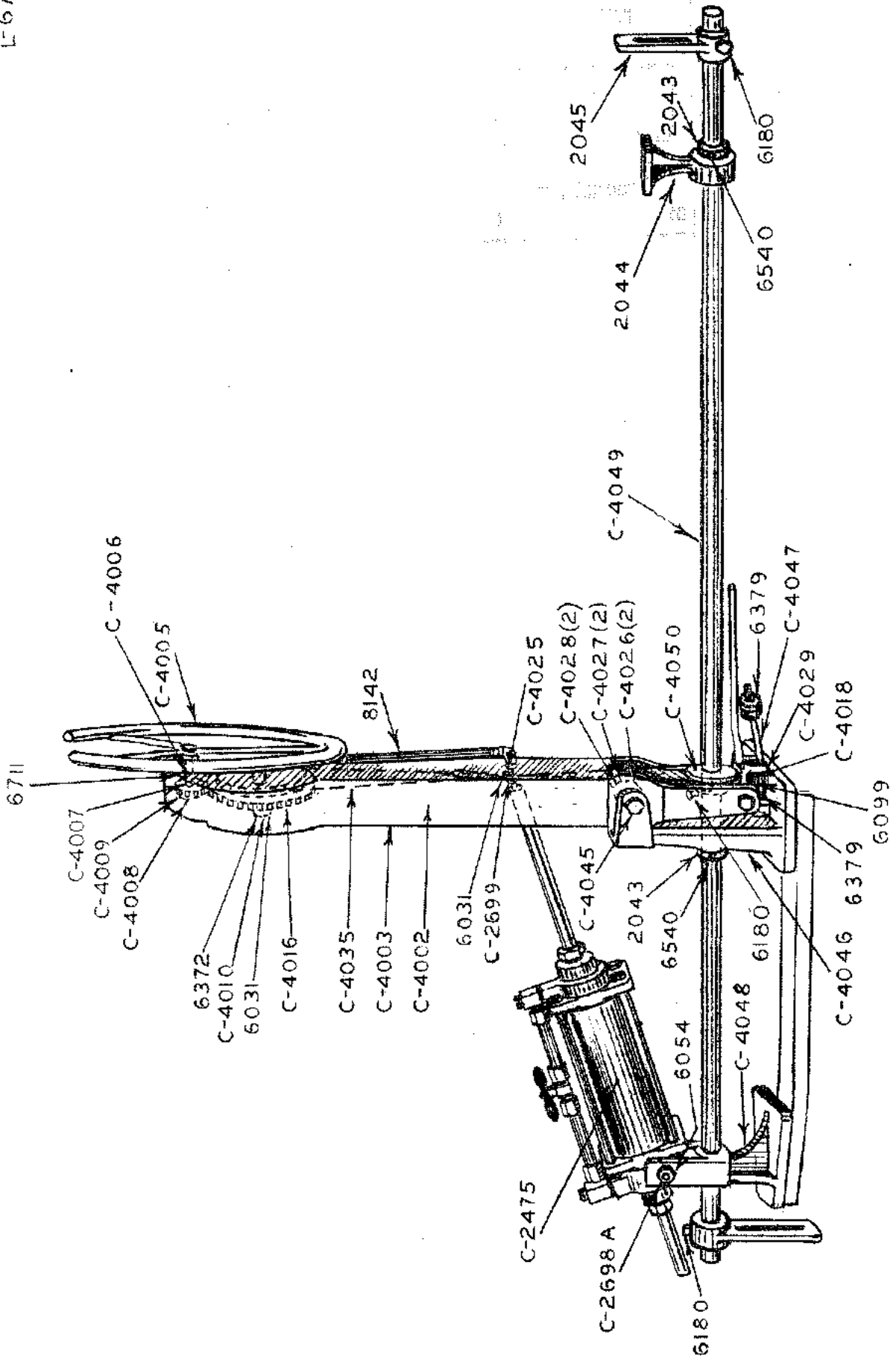
C-2037 STICK ASSEMBLY, CONTROL

C-2037 Stick Assembly, Control

(This Assembly was used on C, C2, D, D1, E, Esp. Trainer Models. It is now obsolete and superseded by Assembly No. 8136 for these Trainers. No. C-2037 and No. 8136 assemblies are not interchangeable as units unless a changeover is made from external to internal aileron control. Refer to Group No. 90010 for this installation.)

Part No.	Nomenclature
C-2038	Shaft, Control Stick
C-2039	Stick, Control
C-2040	Pin, Control Stick
2041	Bracket, Control-Stick Ball Joint
*2042	Bracket, Control Stick Front
2043	Collar, 5/8" Set
*2044	Bracket, Rear Control Stick Shaft
2045	Lever, Control Shaft
*C-2045	Lever, Front Control Stick Shaft
*C-2475	Simulator, Oleo (Obsolete-Change over from piston type to Houde Type Simulator recommended. Part No. 90009 "Stick Control Simulator-Change over from piston type to Houde Type" is assigned to this change.)
*C-2698A	Screw, Slip Stream Simulator Bracket Pivot
*C-2699	Pin, Straight
C-2719A	Bracket, Simulator Stick-Right
C-2719B	Bracket, Simulator Stick-Left
5578	Stick, Control British
6031	Pin, Cotter 1/16" Dia. x 1/2" Brass Bright Dip
6054	Nut, Hexagon Iron #5/16"-24 x 9/16" x 7/32" Cad. Plt.
6061	Pin, Cotter 1/16" Dia. x 3/4" Brass Bright Dip
6177	Screw, F.H.I.W. #4 x 1/2" Cad, Plt.
*6180	Screw, Sq. Head Set #1/4"-20 x 1/2" Hardened
*6181	Screw, Sq. Head Set #1/4"-20 x 3/4" Hardened
*6379	Nut, Hexagon Iron #1/4"-20 x 7/16" x 7/32" Cad. Plt.
6523	Screw, F.H.I.W. #6 x 3/8" Cad, Plt.
*6540	Screw, Allen Set #10-24 x 3/16" Cup Point

*Note: Parts marked with an asterisk are obsolete. They are either available for service or a substitution of recent design may be made.



C-4001 CONTROL ASSEMBLY, WHEEL

C-4001 Control Assembly, Wheel

(This assembly was used on C, C2, D, D1, E, Esp. Trainer Models. It is now obsolete and superseded by Assembly No. 8139 for these Trainers. No. C-2037 and No. 8139 assemblies are not interchangeable as units unless a changeover is made from external to internal aileron control. Refer to Group No. 90010 for this installation.)

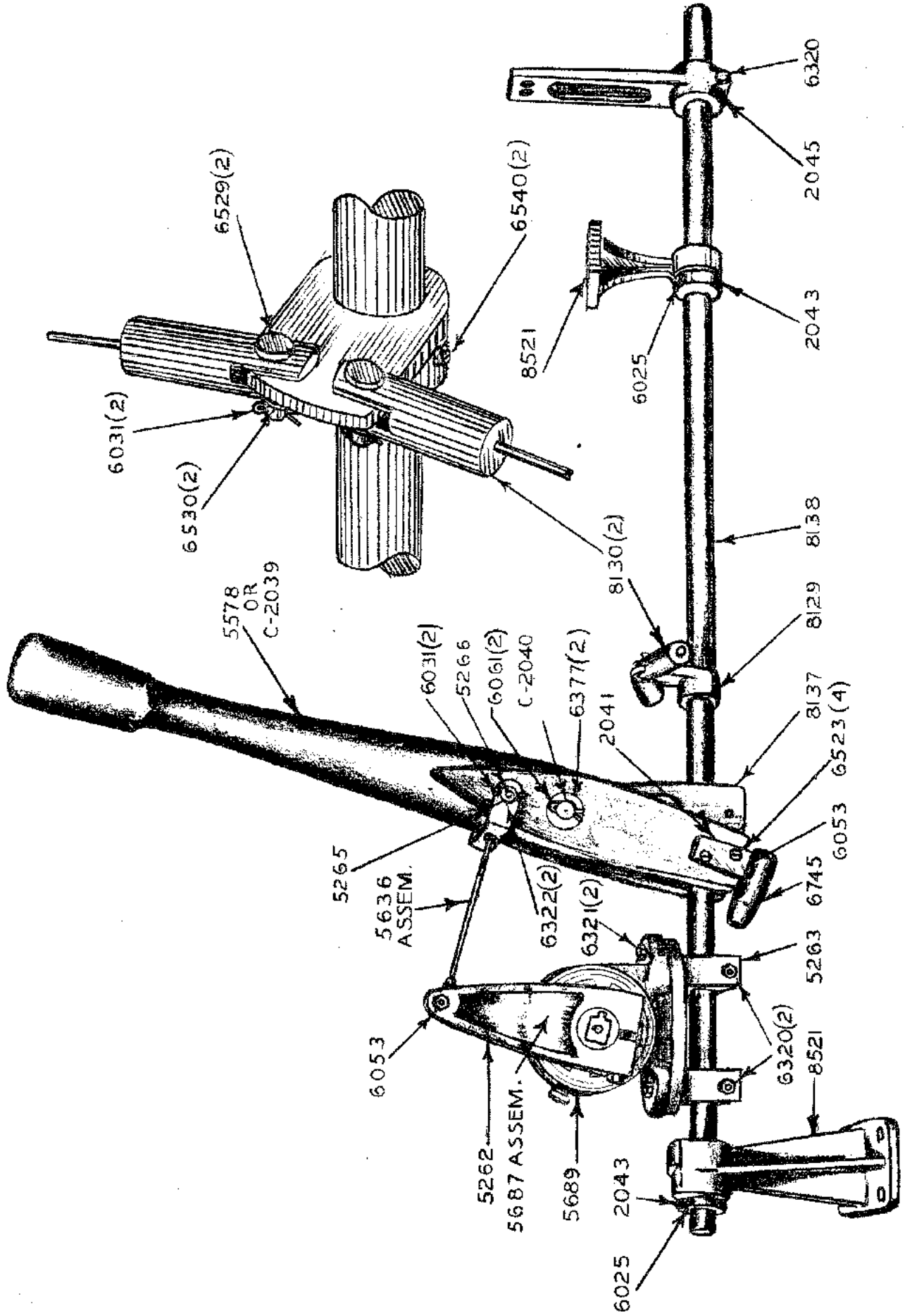
Part No.	Nomenclature
2043	Collar, 5/8" Set
*2044	Bracket, Rear Control Stick Shaft
2045	Lever, Control Shaft
*C-2475	Simulator, Oleo (Obsolete-Changeover from piston type to Houde Type Simulator recommended. Group No. 90007 "Wheel Control Simulator-Changeover from piston type to Houde Type" is assigned to this change.)
*C-2698A	Screw, Slip Stream Simulator Bracket Pivot
*C-2699	Pin, Straight
*C-4002	Control Column and Wheel Assembly
*C-4003	Column, Control Wheel
*C-4005	Wheel, Control
*C-4006	Shaft, Control Wheel
*C-4007	Spacer, Control Wheel Shaft Gear
*C-4008	Gear, Control Wheel Shaft
*C-4009	Key, Control Wheel Shaft Gear
*C-4010	Shaft, Pulley and Gear
*C-4016	Pulley Assembly, Control Column
*C-4018	Clamp, Control Wheel Pulley Cable
*C-4025	Stud, Control Column Simulator
*C-4026	Roller, Cable Guide Large
*C-4027	Roller, Cable Guide Small
*C-4028	Shaft, Cable Roller Guide
*C-4029	Yoke, Control Wheel Column
*C-4035	Cable Assembly, Control Wheel
*C-4045	Stud, Control Column Pivot
*C-4046	Bracket, Control Column Base
*C-4047	Stop, Control Wheel Column
*C-4048	Bracket, Simulator Pedestal
*C-4049	Shaft, Control Wheel Torque
*C-4050	Pulley, Torque Shaft Control Wheel
6031	Pin, Cotter, 1/16" Dia. x 1/2" Brass Bright Dip

*Note: Parts marked with an asterisk are obsolete. They are either available for service or a substitution of recent design may be made.

C-4001 Control Assembly, Wheel (Continued)

Part No.	Nomenclature
6054	Nut, Hexagon Iron #5/16"-24 x 9/16" x 7/32" Cad. Plt.
6099	Screw, R.H.I.M. #8-32 x 3/4" Cad. Plt.
*6180	Screw, Sq. Head Set #1/4"-20 x 1/2" Hardened
6372	Washer, 25/64" x 3/4" x 1/16" Brass
*6379	Nut, Hexagon Iron #1/4"-20 x 7/16" x 7/32" Cad. Plt.
*6540	Screw, Allen Set #10-24 x 3/16" Cup Point
6711	Screw, Bristo Headless T. Set #1/4"-20 x 3/8" Cup Point
8142	Simulator Assembly, Aileron

*Note: Parts marked with an asterisk are obsolete. They are either available for service or a substitution of recent design may be made.



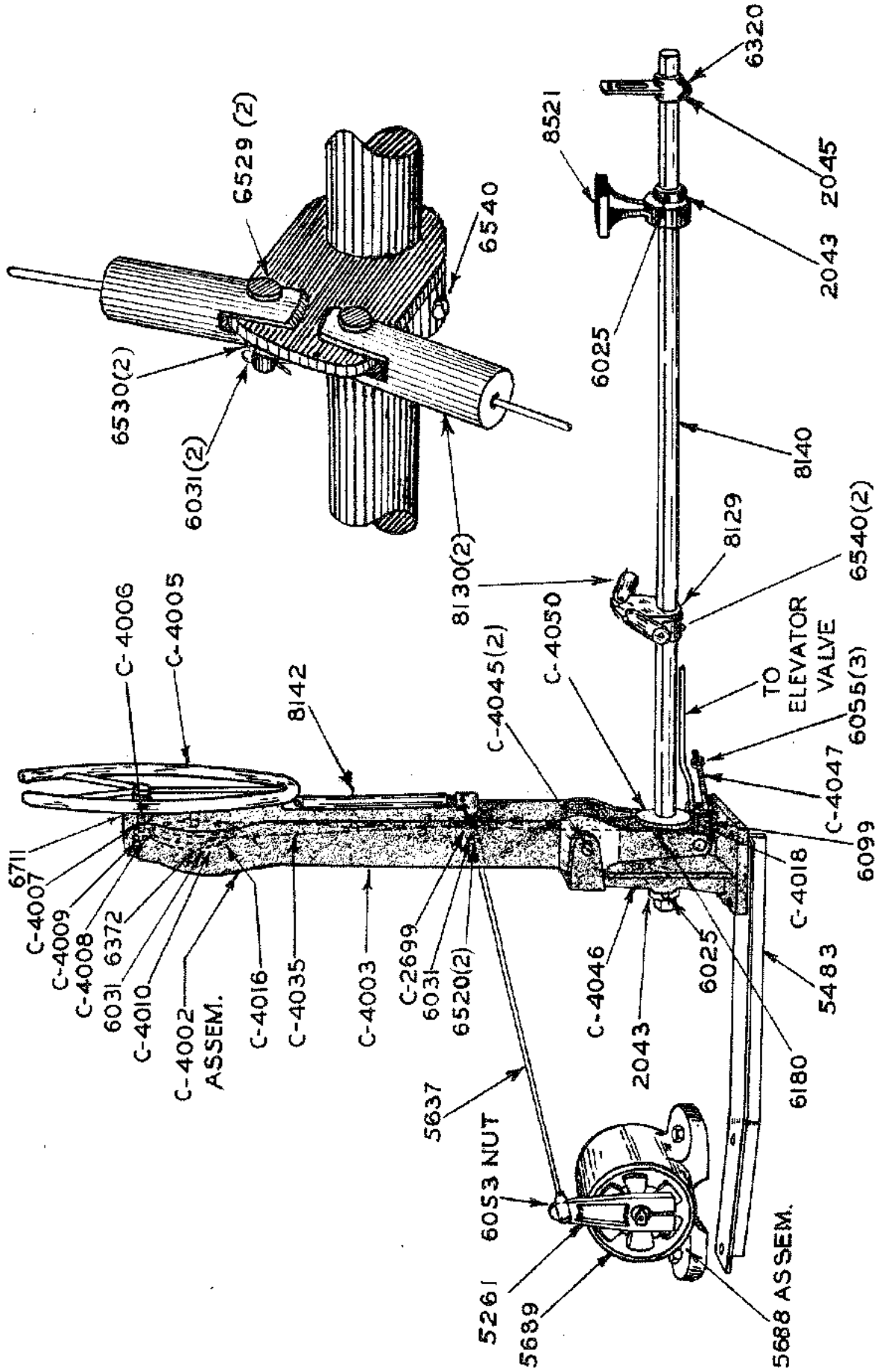
8136 STICK ASSEMBLY, CONTROL

8136 Stick Assembly, Control

(This assembly was used on C, C2, C5, D, D1, E, Esp. Trainer Models. It is now obsolete and superseded by Assembly No. 8998 "Installation, Interchangeable Wheel and Stick Control". Assemblies No. 8136 and No. 8998 are not interchangeable but Trainers with an old stick control are adapted for modernization by the introduction of parts necessary for a change-over. These are contained in Group No. 90008.)

Part No.	Nomenclature
C-2039	Stick, Control
C-2040	Pin, Control Stick
2041	Bracket, Control-Stick Ball Joint
2043	Collar, 5/8" Set
2045	Lever, Control Shaft
5262	Lever, Rudder & Stick Elevator Simulator
5263	Bracket, Control Stick Simulator
5265	Bushing, Control Stick Yoke Pin
5266	Pin, Control Stick Yoke
5578	Stick, Control British
5636	Rod Assembly, Control Stick Simulator
5687	Simulator & Lever Assembly, Stick & Rudder
5689	Shock Absorber
6025	Screw, Bristo Headless I. Set #10-24 x 3/16" Cup Point Hardened
6031	Pin, Cotter 1/16" Dia. x 1/2" Brass Bright Dip
6053	Nut, Hexagon Iron #1/4"-28 x 7/16" x 5/32" Cad. Plt.
6061	Pin, Cotter 1/16" Dia. x 3/4" Brass Bright Dip
6320	Screw, H.H.I.C. 1/4"-28 x 1" Cad. Plt.
6321	Screw, H.H.I.C. 3/8"-16 x 5/8" Cad. Plt.
6322	Washer, Plain 3/16" x 3/8" x 1/64" Brass
6377	Washer, 33/64" x 7/8" x 1/16" Brass
6523	Screw, F.H.I.W. #6 x 3/8" Cad. Plt.
6529	Pin, Clevis 3/16" Dia. x 17/32" Cad. Plt.
6530	Washer, 3/16" x 3/8" x 1/32" Steel Cad. Plt.
*6540	Screw, Allen Head Set #10-24 x 3/16" Cup Point
6745	Ball Joint Assembly, 9/16" Shank x 1/4"-28 Thr'd
8129	Lever, Torque Shaft Aileron Control
8130	Terminal, Aileron Control Lever Cable
8137	Shaft Assembly, Control Stick
8138	Shaft, Control Stick
8521	Bracket Assembly, Pedestal- Shaft

*Note: Parts marked with an asterisk are obsolete. They are either available for service or a substitution of recent design may be made.



8139 CONTROL ASSEMBLY, WHEEL

8139 Control Assembly, Wheel

(This assembly was used on C, C2, C5, D, D1, E, Esp. Trainer Models. It is now obsolete and superseded by Assembly No. 8998 "Installation, Interchangeable Wheel and Stick Control". Assemblies No. 8139 and No. 8998 are not interchangeable but Trainers with an old wheel control are adapted for modernization by the introduction of parts necessary for a change over. These are contained in Group No. 90013.)

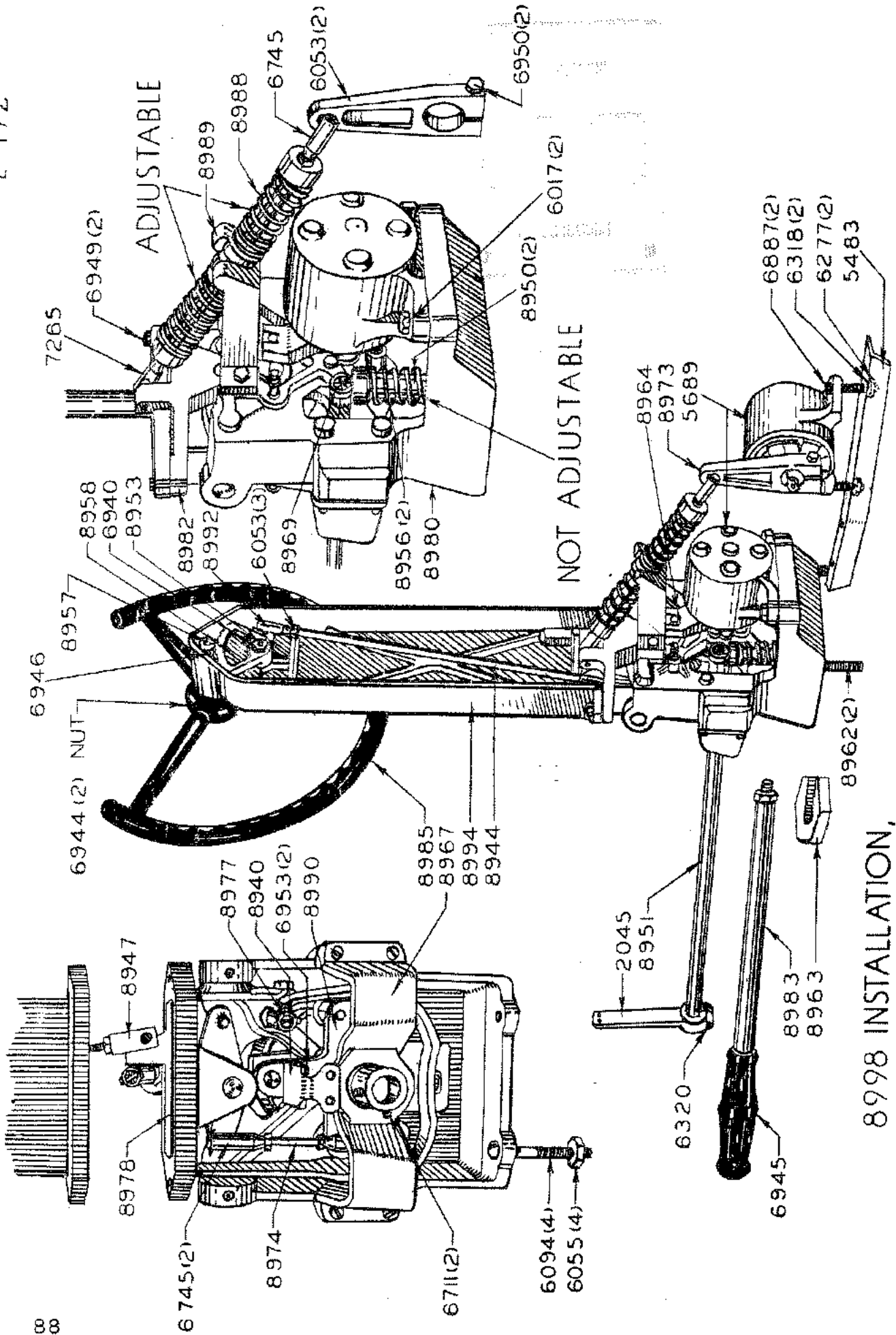
Part No.	Nomenclature
2043	Collar, 5/8" Set
2045	Lever, Control Shaft
*C-2699	Pin, Straight
*C-4002	Control, Column and Wheel Assembly
*C-4003	Column, Control Wheel
*C-4005	Wheel, Control
*C-4006	Shaft, Control Wheel
*C-4007	Spacer, Control Wheel Shaft Gear
*C-4008	Gear, Control Wheel Shaft
*C-4009	Key, Control Wheel Shaft Gear
*C-4010	Shaft, Pulley and Gear
*C-4016	Pulley Assembly, Control Column
*C-4018	Clamp, Control Wheel Pulley Cable
*C-4035	Cable Assembly, Control Wheel
*C-4045	Stud, Control Column Pivot
*C-4046	Bracket, Control Column Base
*C-4047	Stop, Control Wheel Column
*C-4050	Pulley, Torque Shaft Control Wheel
*5261	Lever, Wheel Elevator Simulator
5483	Angle, Simulator Reinforcing
5637	Rod Assembly, Control Wheel Simulator
*5688	Simulator and Lever Assembly, Wheel Elevator
5689	Shock Absorber
6025	Screw, Bristo Headless I. Set #10-24 x 3/16" Cup Point Hardened
6031	Pin, Cotter 1/16" Dia. x 1/2" Brass Bright Dip
6053	Nut, Hexagon Iron #1/4"-28 x 7/16" x 5/32" Cad. Plt.
6055	Nut, Hexagon Iron #1/4"-20 x 7/16" x 3/16" Cad. Plt.
6099	Screw, R.H.I.M. #8-32 x 3/4" Cad. Plt.
*6180	Screw, Sq. Head Set #1/4"-20 x 1/2" Hardened
6320	Screw, H.H.I.C. 1/4"-28 x 1" Cad. Plt.
6372	Washer, 25/64" x 3/4" x 1/16" Brass

*Note: Parts marked with an asterisk are obsolete. They are either available for service or a substitution of recent design may be made.

8139 Control Assembly Wheel (Continued)

Part No.	Nomenclature
6520	Washer, 13/64" x 1/2" x .049" Brass Cad. Plt.
6529	Pin, Clevis 3/16" Dia. x 17/32" Cad. Plt.
6530	Washer, 3/16" x 3/8" x 1/32" Steel Cad. Plt.
*6540	Screw, Allen Set #10-24 x 3/16" Cup Point
6711	Screw, Bristo Headless I. Set #1/4-20 x 3/8" Cup Point Hardened
8129	Lever, Torque Shaft Aileron Control
8130	Terminal, Aileron Control Lever Cable
*8140	Shaft, Control Wheel Torque
8142	Simulator Assembly, Aileron
8521	Bracket Assembly, Pedestal-5/8" Shaft

*Note: Parts marked with an asterisk are obsolete. They are either available for service or a substitution of recent design may be made.



8998 INSTALLATION,
 INTERCHANGEABLE WHEEL AND STICK CONTROL

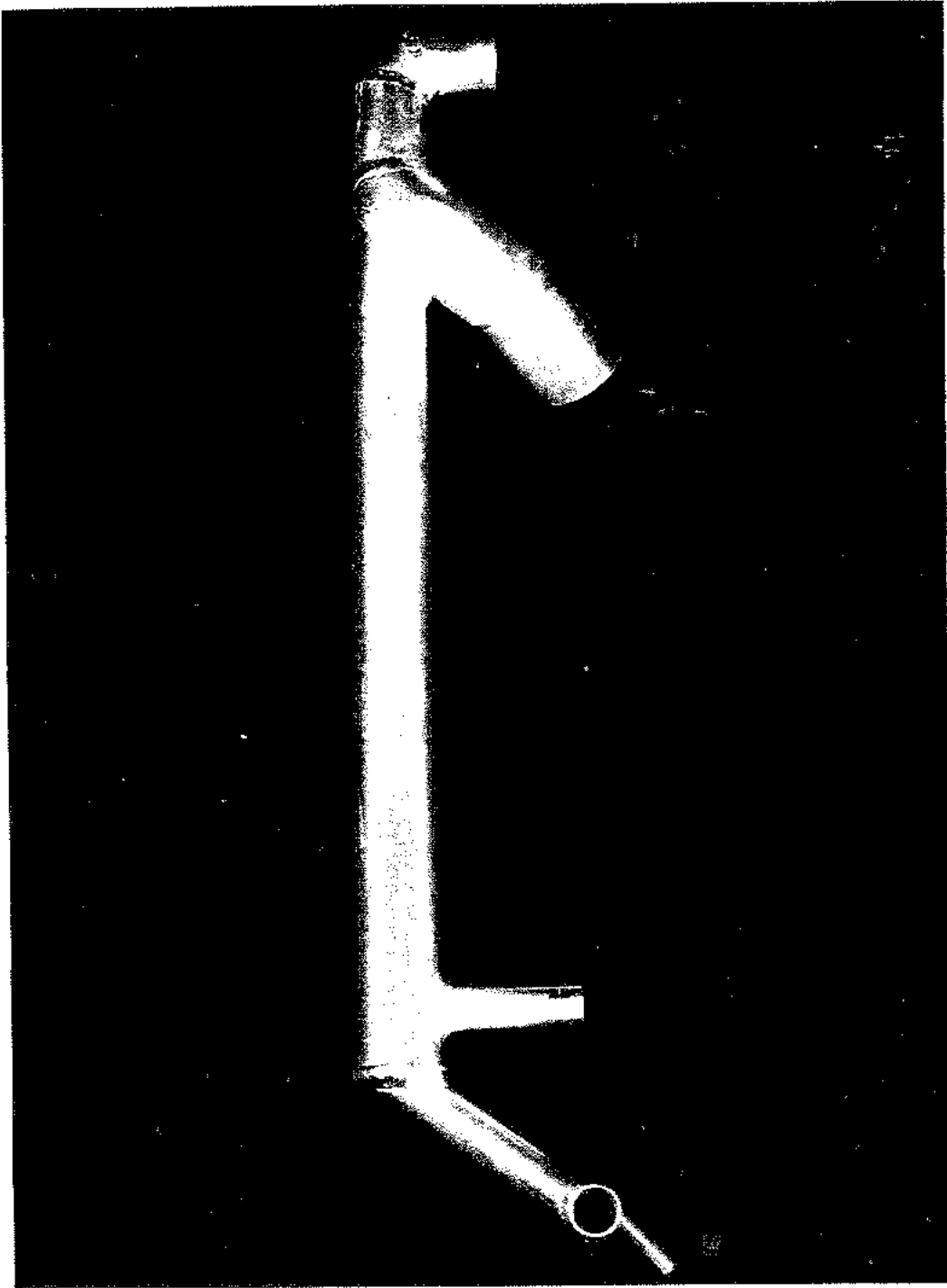
8998 Installation, Interchangeable Wheel & Stick Control

(This Assembly is used on all Trainer Models. It supersedes but is not interchangeable with Assembly No.8136 and No.8139. Trainers equipped with Old Type Wheel or Stick Control may be modernized by a changeover. The parts for the changeover are contained in Group No. 90013 and No.90008).

Part No.	Nomenclature
2045	Lever, Control Shaft
5483	Angle, Simulator Reinforcing
5689	Shock Absorber
6017	Screw, H.H.I.C. #3/8"-16 x 1" Cad. Plt.
6053	Nut, Hexagon Iron #1/4"-28 x 7/16" x 5/32" Cad. Plt.
6055	Nut, Hexagon Iron #1/4"-20 x 7/16" x 3/16" Cad. Plt.
6094	Screw, R.H.I.M. #1/4"-20 x 2 1/4" Cad. Plt.
6277	Nut, Hexagon Iron #3/8"-16 x 11/16" x 1/4" Cad. Plt.
6318	Washer, 3/8" Spring Steel Lock
6320	Screw, H.H.I. Cap 1/4"-28 x 1" Cad. Plt.
6711	Screw, Bristo Headless I. Set #1/4-20 x 3/8" Cup Point Hardened
6745	Ball Joint Assembly, 9/16" Shank x 1/4"-28 Thr'd
6887	Screw, Hex. Hd. Cap #3/8"-16 x 2 1/4" Cad. Plt.
6940	Washer, 33/64" x 15/16 x .002" Steel
6944	Nut, Brass Cap #5/16-18 Chrome Plt.
6945	Grip, Control Stick
6946	Key, #305 Woodruff
6949	Screw, H.H.I.C. #1/4-28 x 5/8" Cad. Plt.
6950	Screw, H.H.I.C. #1/4-28 x 1 1/4" Cad. Plt.
6953	Screw, Fil. H.I.M. #10-32 x 5/8" Cad. Plt.
7265	Ball Joint Assembly, 1" Shank x 1/4-28 Thr'd
8940	Bracket, Control Aileron
8944	Rod, Control Column Link
8947	Block, Control Column Link Rod
8950	Sleeve, Control Spring Loading
8951	Shaft, Control Torque
8953	Screw, Control Wheel Sector Pivot
8956	Spring, Control Loading
8957	Pinion, Control Wheel
8958	Sector, Control Wheel
8962	Stud, Control Spring Loading Mounting
8963	Cover, Control Vertical Bracket
8964	Lever, Control Lateral Shock Absorber
8967	Bracket, Control Bearing
8969	Stud Assembly, Control Spring Loading Bearing
8973	Lever, Vertical Control Shock Absorber
8974	Rod Assembly, Control Lateral Lever Connecting
8977	Rod Assembly, Control Vertical Adjusting
8978	Lever Assembly, Control Lateral
8980	Bracket, Control Mounting
8982	Bracket, Control Vertical
8983	Stick Assembly, Control

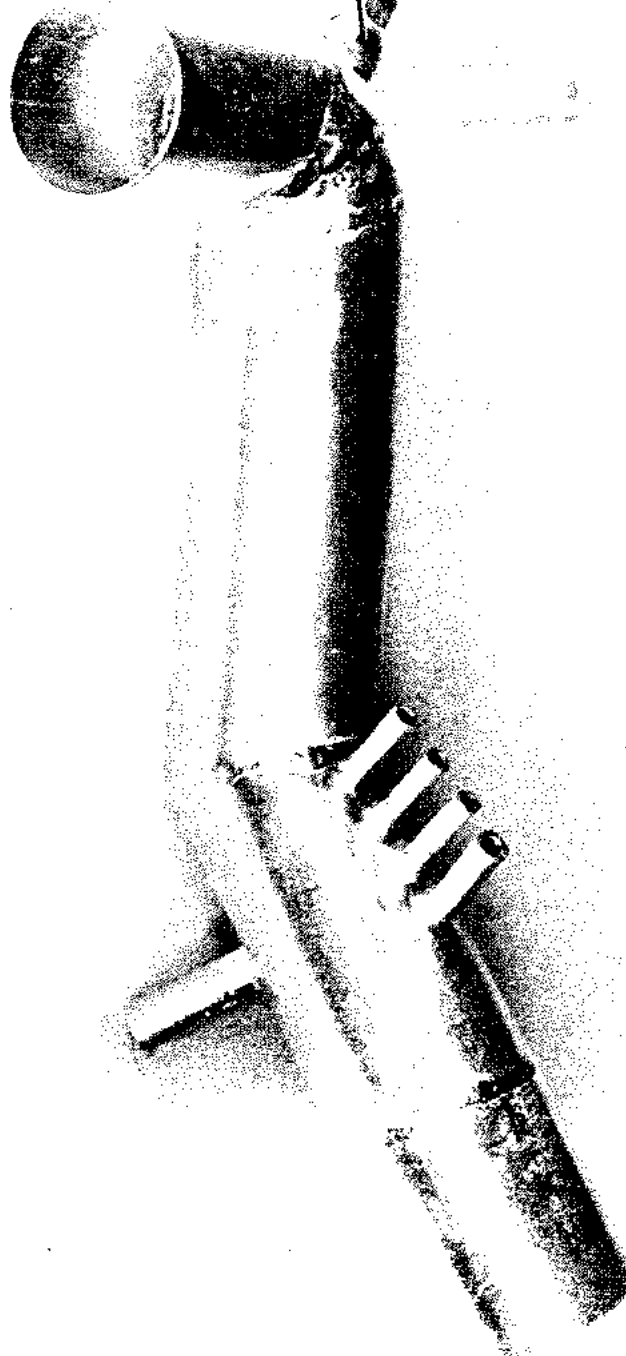
8998 Installation, Interchangeable Wheel & Stick Control (Continued)

Part No.	Nomenclature
8985	Wheel Assembly, Control
8988	Rod Assembly, Control Vertical Shock Absorber & Spring
8989	Bracket, Control Vertical Spring
8990	Shaft Assembly, Control Drive
8992	Ball Joint Assembly, 7/16" Shank x 1/4"-28 Thread
8994	Column & Bearing Assembly, Control Wheel

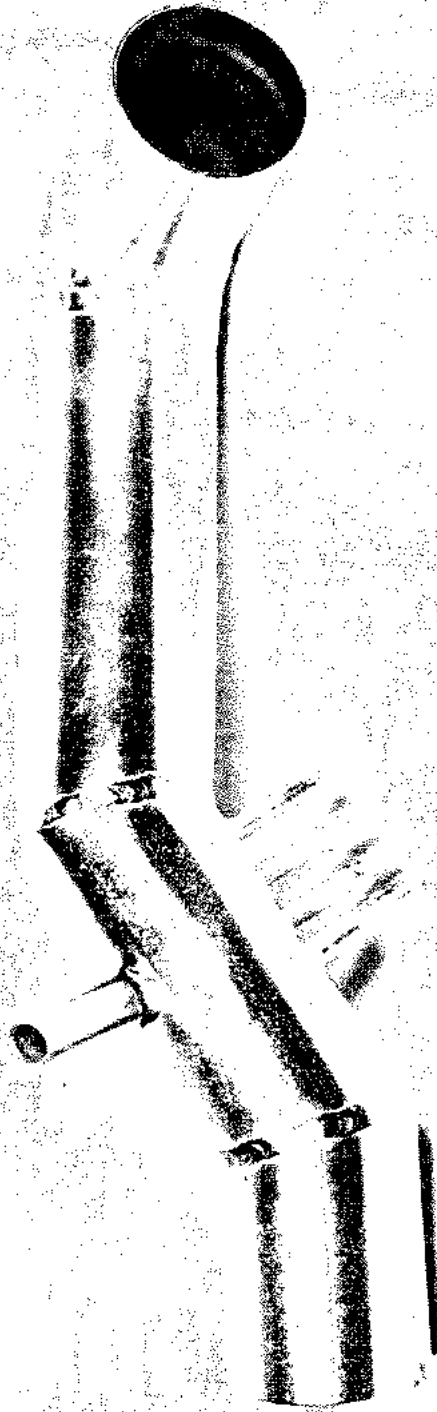


5533 MANIFOLD ASSEMBLY

10728



10852 ELBOW ASSEMBLY, AIR CONDUCTOR C-3
TRAINER



5528 ELBOW ASSEMBLY, AIR CONDUCTOR

5533 Manifold Assembly

(Used on all Trainer Models)

<u>Part No.</u>	<u>Nomenclature</u>
5533	Manifold Assembly

10852 Elbow Assembly, Air Conductor C-3 Trainer

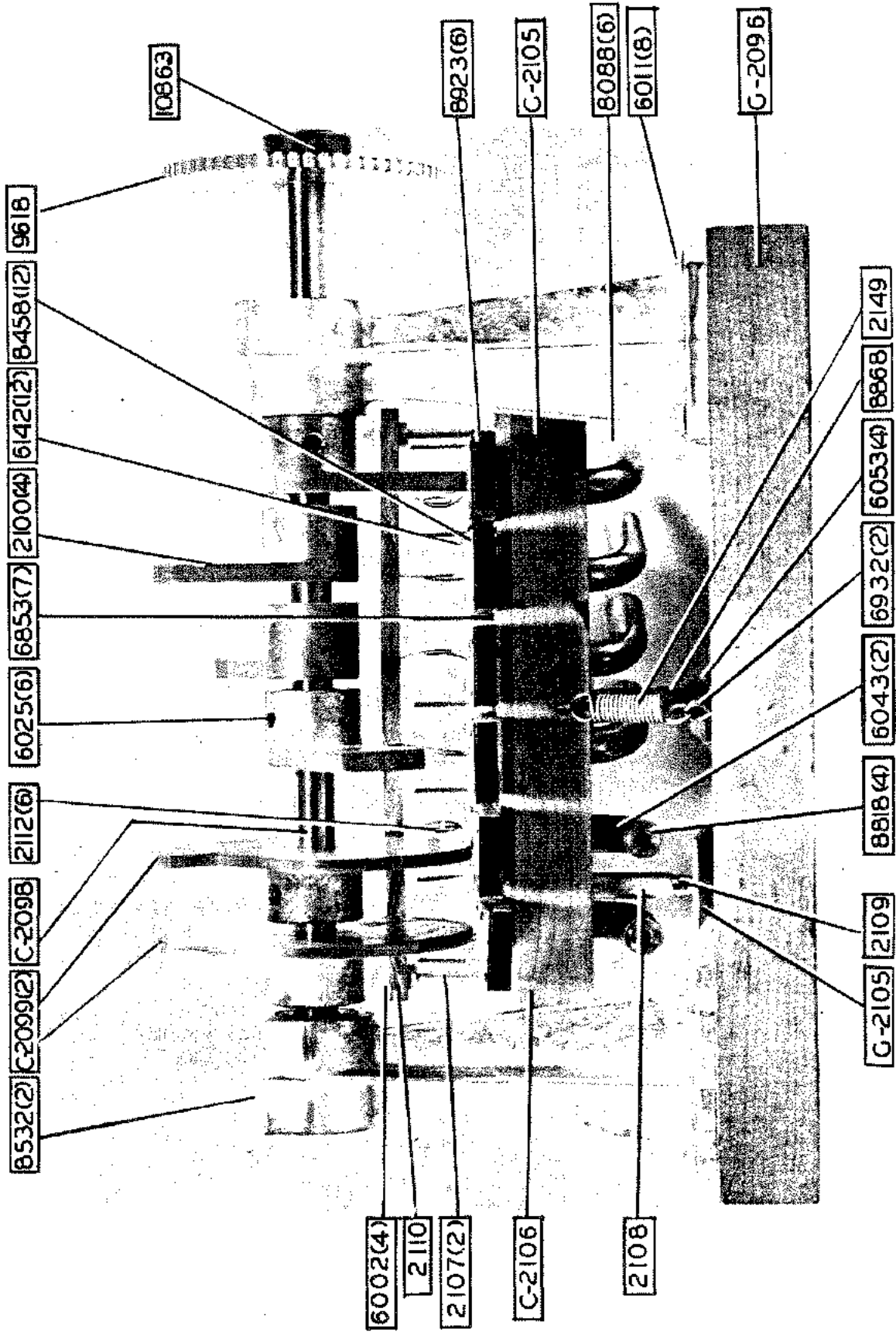
(Used on C3, C5, D2, E1, E2, AN 2550-1 Trainer Models)

<u>Part No.</u>	<u>Nomenclature</u>
10728	Nipple Assembly, 3/16 Union

5528 Elbow Assembly, Air Conductor

(Used on C, C2, D, D1, E, Esp. Trainer Models)

<u>Part No.</u>	<u>Nomenclature</u>
5528	Elbow Assembly, Air Conductor



C-2095 GENERATOR ASSEMBLY, ROUGH AIR

C-2095 Generator Assembly, Rough Air

(Used on all Trainer Models)

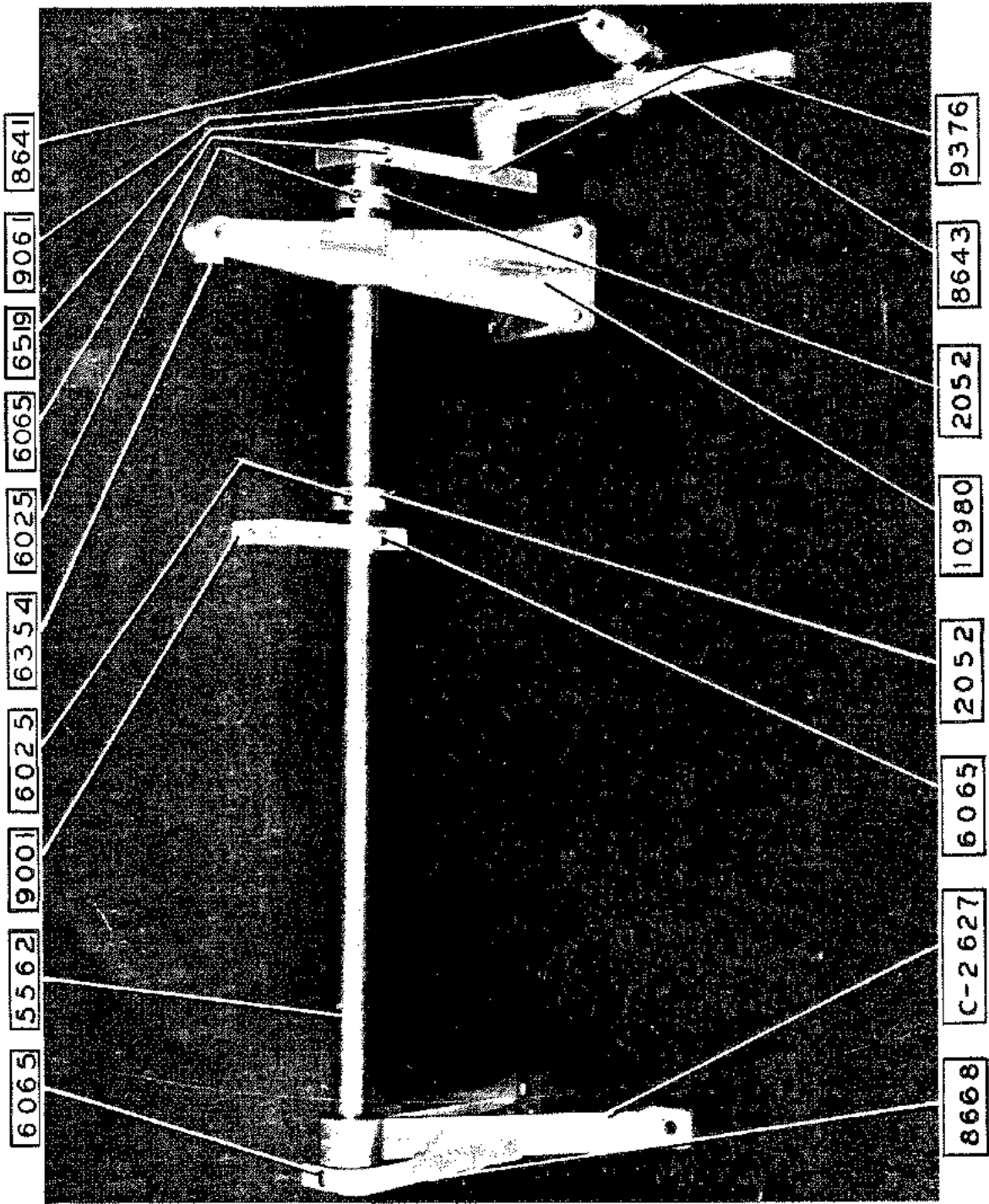
Part No.

Nomenclature

C-2096 Base, Rough Air Unit
C-2098 Shaft, Rough Air Cam
C-2099 Cam, Rough Air Turn
2100 Cam, Rough Air
C-2105 Valve Assembly, Rough Air
C-2106 Base, Rough Air Valve
2107 Support, Spring Bridge
2108 Sleeve, Rough-Air Valve Flap Lifter
2109 Lifter, Rough Air Valve Flap
2110 Bar, Rough-Air Spring Bridge
2112 Spring, Rough Air Valve Flap
2149 Spring, Turn Indicator Regulator
6002 Nut, Hexagon Iron #4-36 x 1/4" x 3/32" Cad. Plt.
6011 Screw, R.H.I.W. #8 x 3/4" Cad. Plt.
6025 Screw, Bristo Headless I. Set #10-24 x 3/16" Cup Point
Hardened
6043 Nail, #20 (.035) x 3/8 Steel Flat Head
6053 Nut, Hexagon Iron #1/4"-28 x 7/16" x 5/32" Cad. Plt.
6142 Screw, R.H.I.W. #3 x 1/2" Cad. Plt.
6853 Brad, #18 (.048") x 1-1/2" Steel
6932 Screw Eye, #216 Bright Steel Wire
8088 Elbow, 5/16" I.D. x 3/8" O.D. 90°
8458 Washer, Sheepskin
8532 Bracket Assembly, Pedestal
8818 Reducer, Rough Air Elbow
8868 Crank, Rough-Air Regulator
8923 Flap Assembly, Rough-Air Valve
9618 Gear Assembly, Rough Air Cam Shaft
10863 Screw, Bristo Headless Set #10-32 x 1/4" Cup Pt.

Mountings for this Assembly on Fuselage Floor

6009 Nut, Hexagon Iron #8-32 x 11/32" x 1/8" Cad. Plt.
6141 Screw, R.H.I.W. #10 x 1-1/2" Cad. Plt.
6282 Screw, R.H.I.M. #8-32 x 2-1/4" Cad. Plt.
6662 Washer, .172"-.169" x 1/2" x .052"-.048" Steel
6877 Screw, R.H.I.M. #8-32 x 3" Cad. Plt.

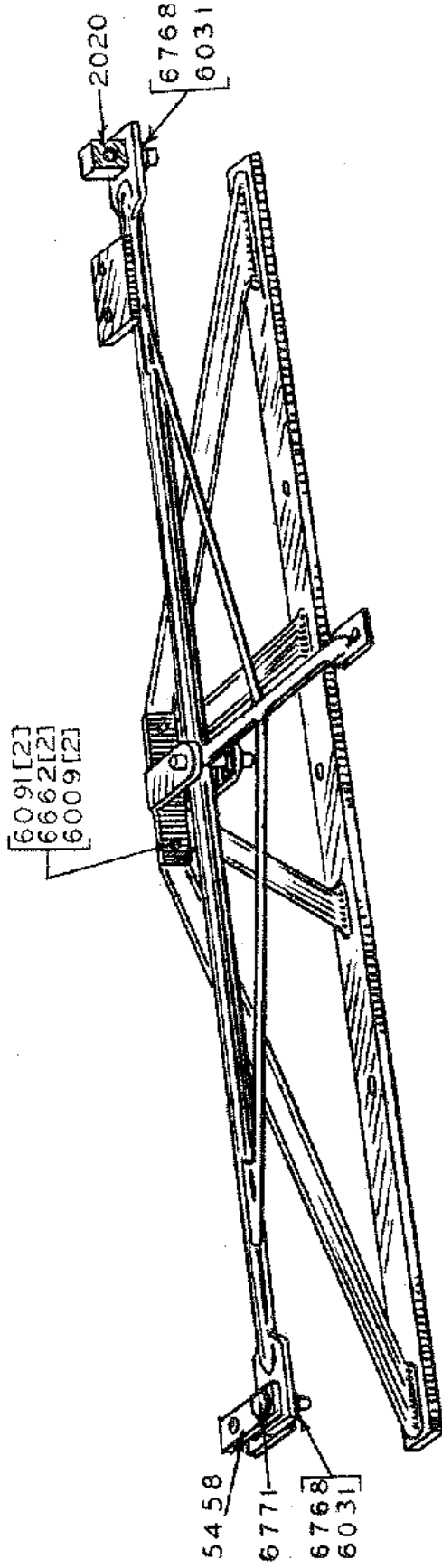


8653 PITCH ACTION ASSEMBLY

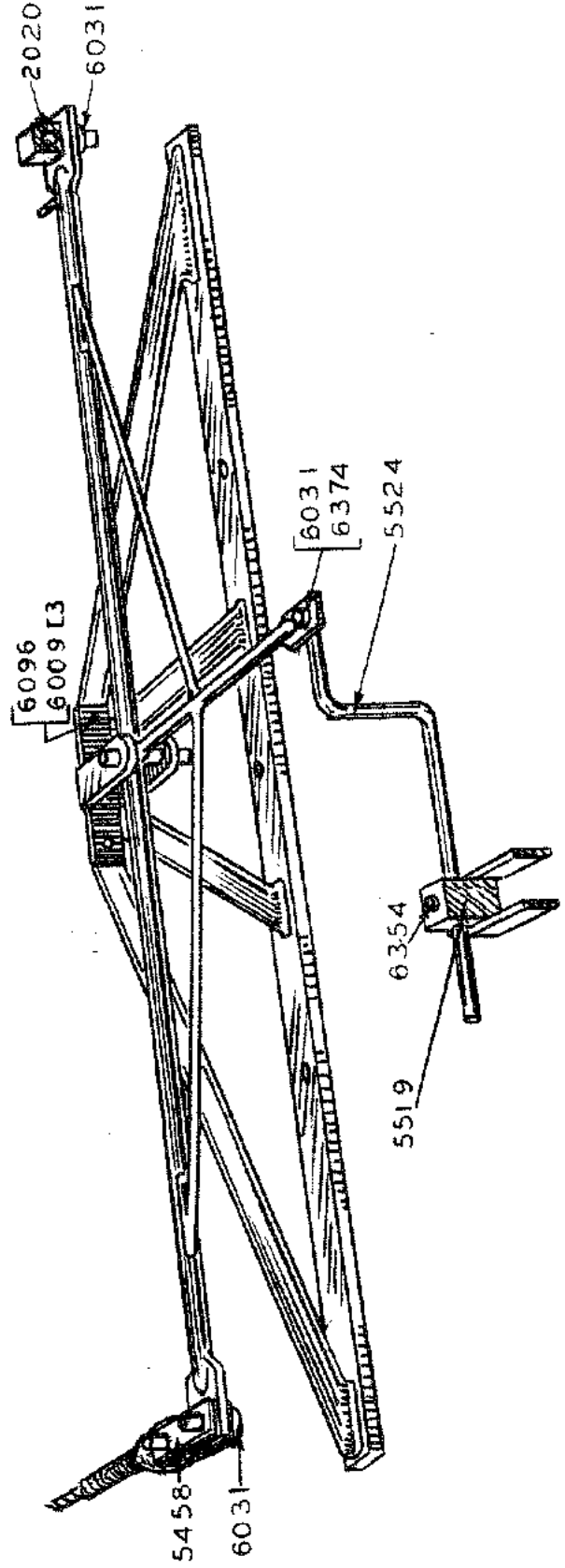
8653 Pitch Action Assembly

(This Assembly supersedes Assembly No. C-2622 and is used on all Trainer Models. It is not interchangeable with No. C-2622 Assembly unless supplied with (1) 8716 "Stud, Compensator & Bank Turner Link Rod", (1) 8719 "Compensator Assembly", (2) 6059 "Nut, Hexagon Iron #10-32 x 3/8" x 1/8" Cad. Plt.", (1) 6055 "Nut, Hexagon Iron 1/4"-20 x 7/16" x 3/16".)

Part No.	Nomenclature
2052	Collar, 3/8" Set
C-2627	Bracket Assem., Pitch Action Right
5562	Shaft, Pitch Action Torque
6025	Screw, Bristo Headless I. Set #10-24 x 3/16" Cup Point Hardened
6065	Pin, Taper #1 x 3/4" Steel Cad. Plt.
6354	Screw, Bristo Headless I. Set #8-32 x 3/16" Cup Pt. Harden
6519	Washer, 1/4"
8641	Ball Joint Assembly, 5/16" Shank x 1/4"-28 Thr'd
8643	Lever Assembly, Pitch Action
8668	Lever, Spring Comp. Pitch Action Shaft
9001	Lever, Stall Valve Reg. Pitch
9061	Clip, Spring (.187" x .020")
9376	Lever & Stud Assembly, Pitch Action
10980	Bracket Assembly, Pitch Action-Left Hand
	Mountings for this Assembly on Fuselage Floor
6131	Screw, R.H.I.W. #8 x 1" Cad. Plt.



8654 BAR ASSEM, RUDDER-COMPLETE



C-2015 BAR ASSEM, RUDDER COMPLETE

C-2015 Bar Assembly, Rudder-Complete

(This Assembly was used on C, C2, D, D1, E, Esp Trainer Models. It is now obsolete but may be replaced by the rudder bar of current design if additional parts are furnished. These are contained in Group No. 90012.)

Part No.	Nomenclature
*2020	Swivel, Rudder Bar Link Rod
5458	Link, Rudder Bar Safety
*5519	Block & Spring Assem., Spin Valve Rod
*5524	Rod Assembly, Spin Valve
6009	Nut, Hexagon Iron #8-32 x 11/32" x 1/8" Cad. Plt.
6031	Pin, Cotter 1/16" Dia. x 1/2" Brass Bright Dip
6096	Screw, R.H.I.M. #8-32 x 7/8" Cad. Plt.
6354	Screw, Bristo Headless I. Set #8-32 x 3/16" Cup Pt. Harden
6374	Washer, 13/64" x 7/16" x 1/16" Brass

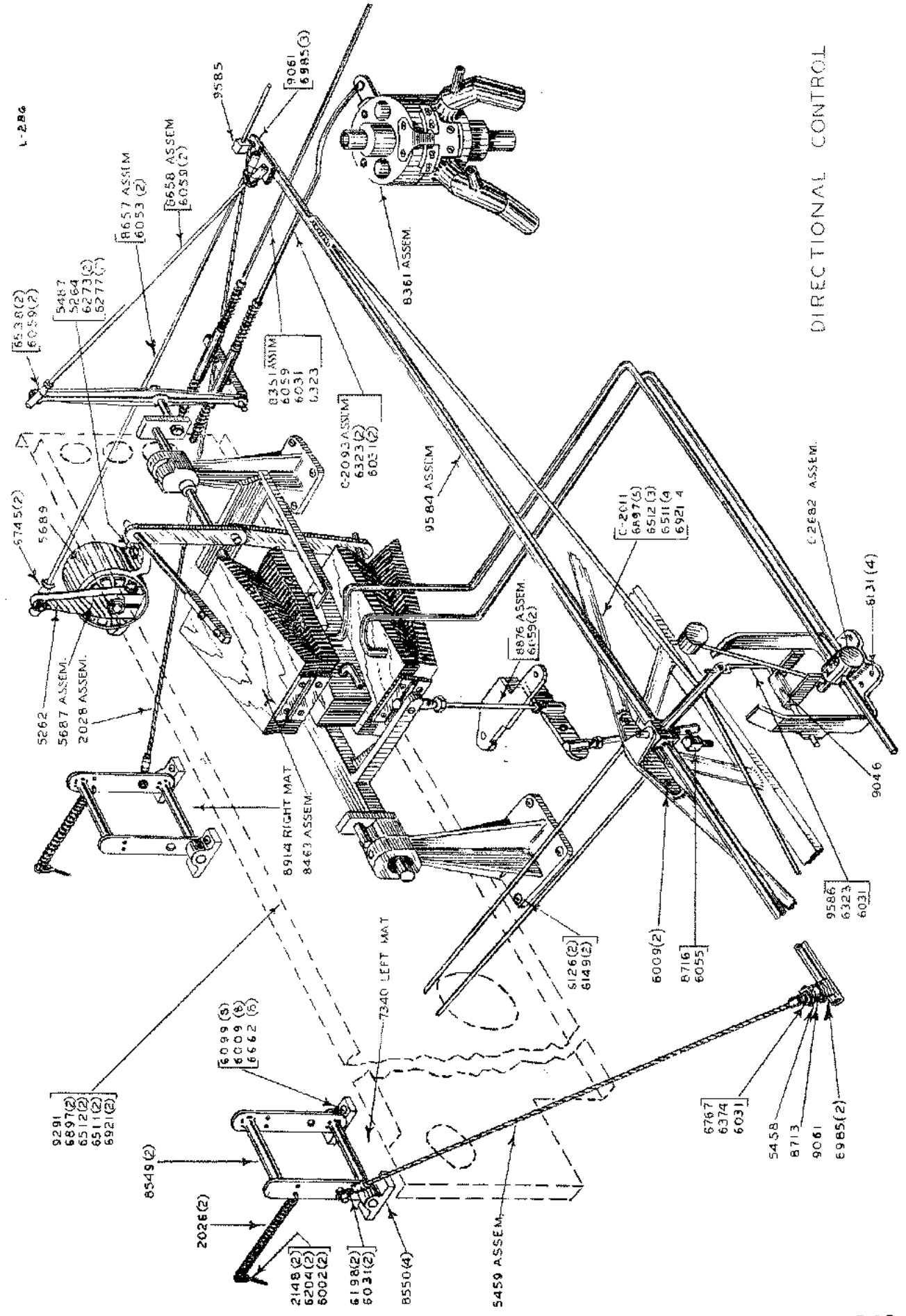
8654 Bar Assembly, Rudder-Complete

(This Assembly was used on C, C2, C3, C5, D, D1, D2, E, Esp. Trainer Models. It superseded Assembly No. C-2015 and was subsequently superseded by Assembly No. 9584. This rudder bar assembly of current design is not interchangeable with Assembly No. 8654 unless a changeover is made. The parts necessary to accomplish this are contained in Group No. 90021.)

Part No.	Nomenclature
*2020	Swivel, Rudder Bar Link Rod
5458	Link, Rudder Bar Safety
6009	Nut, Hexagon Iron #8-32 x 11/32" x 1/8" Cad. Plt.
6031	Pin, Cotter 1/16" Dia. x 1/2" Brass Bright Dip
6091	Screw, R.H.I.M. #8-32 x 1" Cad. Plt.
6662	Washer, .172"-.169" x 1/2" x .052"-.048" Steel
6768	Washer, 17/64" x 1/2" x 1/16" Steel Cad. Plt.
*6771	Pin, 1/4" Dia. x 11/32" Clevis

*Note: Parts marked with an asterisk are obsolete. They are either available for service or a substitution of recent design may be made.

L-286



DIRECTIONAL CONTROL

Directional Control

(Used on all Trainer Models except AN 2550-1)

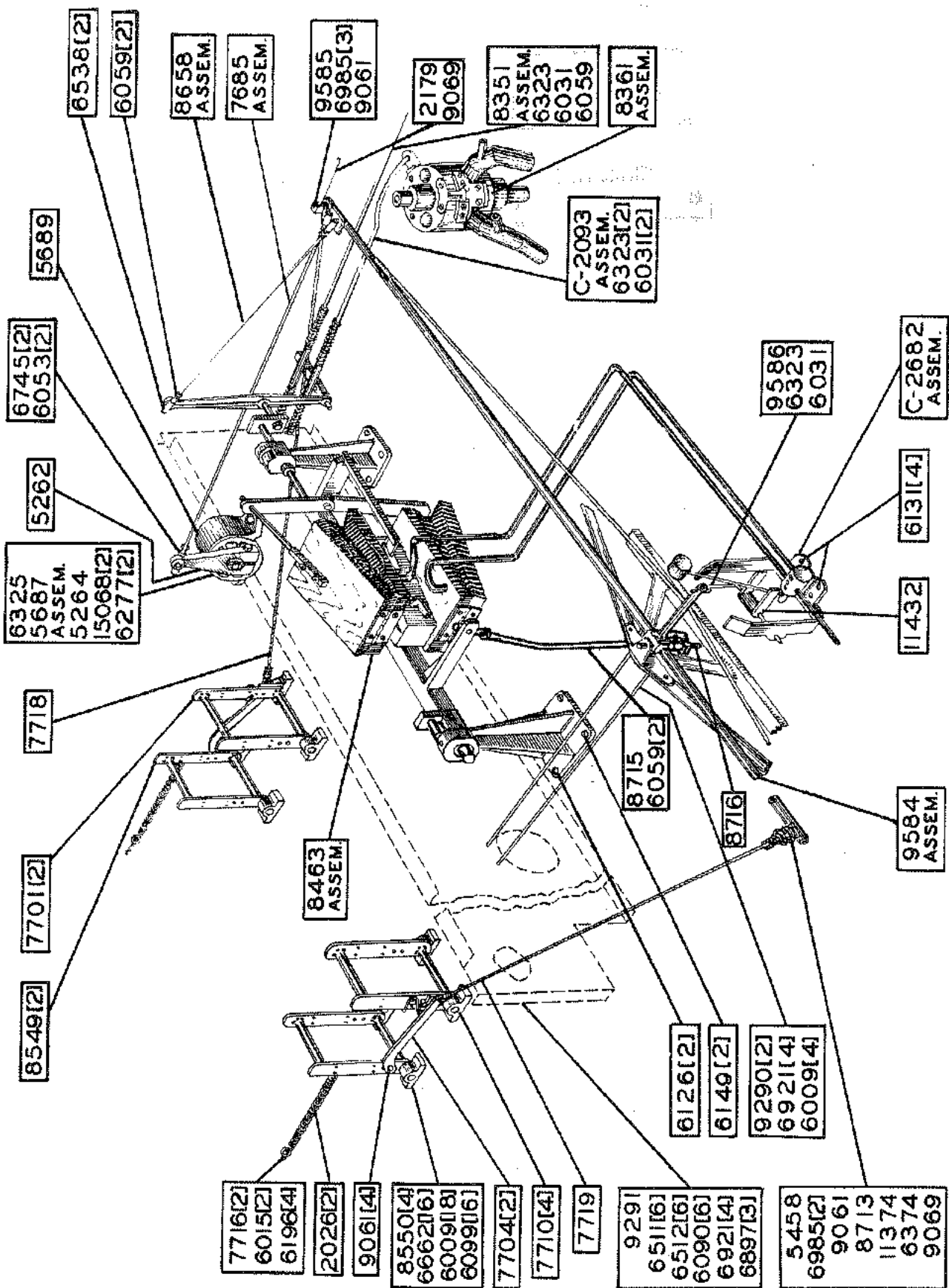
Part No.	Nomenclature
C-2011	Brace, Fuselage Floor
2026	Spring, Rudder Pedal
2028	Cable Assembly, Rudder Pedal Right
C-2093	Compensator Assembly, Rudder Valve
2148	Screw Eye, Turn Indicator Regulator Spring
C-2682	Valve Assembly, Spin
5262	Lever, Rudder & Stick Elevator Simulator
5264	Strap, Simulator Backing
5458	Link, Rudder Bar Safety
5459	Cable Assembly, Rudder Pedal Left
5487	Spacer, Rudder Simulator
5687	Simulator & Lever Assembly, Stick & Rudder
5689	Shock Absorber
6002	Nut, Hexagon Iron #4-36 x 1/4" x 3/32" Cad. Plt.
6009	Nut, Hexagon Iron #8-32 x 11/32" x 1/8" Cad. Plt.
6031	Pin, Cotter 1/16" Dia. x 1/2" Brass Bright Dip
6053	Nut, Hexagon Iron #1/4"-28 x 7/16" x 5/32" Cad. Plt.
6055	Nut, Hexagon Iron #1/4"-20 x 7/16" x 3/16" Cad. Plt.
6059	Nut, Hexagon Iron #10-32 x 3/8" x 1/8" Cad. Plt.
6099	Screw, R.H.I.M. #8-32 x 3/4" Cad. Plt.
6126	Screw, R.H.I.W. #8 x 1-1/4" Cad. Plt.
6131	Screw, R.H.I.W. #8 x 1" Cad. Plt.
6149	Screw, R.H.I.W. #8 x 1-1/2" Cad. Plt.
6198	Washer, 9/32" x 5/8" x .041" Steel Cad. Plt.
6204	Washer, 1/8" x 5/16" x 1/32" Brass Bright Dip
6273	Screw, H.H.I. Cap #3/8"-16 x 2-1/2" Cad. Plt.
6277	Nut, Hexagon Iron #3/8"-16 x 11/16" x 1/4" Cad. Plt.
6323	Washer, .190"-.188" x 3/8" x .064"-.060" Brass
6374	Washer, 13/64" x 7/16" x 1/16" Brass
6511	Washer, 1/4" Spring Steel Lock
6512	Washer, 17/64" x 1-1/8" x 1/16" Steel Cad. Plt.
6538	Ball Joint Assembly, 9/16" Shank x 10-32 Thread
6662	Washer, .172"-.169" x 1/2" x .052"-.048" Steel
6745	Ball Joint Assembly, 9/16" Shank x 1/4"-28 Thr'd
6767	Pin, Clevis 3/16" Dia. x 9/32" Cad. Plt.
6897	Screw, Fil. H.I.M. #1/4"-20 x 2" Cad. Plt.
6921	Nut, Hexagon Iron #1/4"-20 x 7/16" x 5/32" Cad. Plt.
6985	Washer, .253"-.251" x 1/2" x 1/32" Brass
7340	Mat, Left Floor
8351	Rod Assembly, Bank Turner Walking Beam to Aileron Valve Bellcrank
8361	Valve Assembly, Auto. Nose Drop Type Rudder
8463	Spin Trip Assembly, Bank Turner

Directional Control (Continued)

Part No.

Nomenclature

8549	Pedal Assem., Rudder
8550	Bracket Assem., Rudder Pedal Shaft
8657	Rod Assembly, Rudder Simulator
8658	Rod Assembly, Spin Trip to Rudder Bar
8713	Pin, Rudder Bar Link
8716	Stud, Compensator and Bank Turner Link Rod
8878	Bracket & Lever Assem., Bank Turner Inter.
8914	Matting, Trainer Floor Right Side
9046	Spacer & Spring Assem., Spin Valve Rod
9061	Clip, Spring (.187" x .020")
9291	Baffle, Cantilever
9584	Bar Assembly, Rudder-Complete
9585	Swivel, Rudder Bar Link Rod
9586	Rod, Spin Valve



DIRECTIONAL CONTROL

Directional Control

(Used on AN 2550-1 Trainer Models)

Part No.	Nomenclature
2026	Spring, Rudder Pedal
C-2093	Compensator Assembly, Rudder Valve
2179	Rod, Rudder Link
C-2682	Valve Assembly, Spin
5262	Lever, Rudder & Stick Elevator Simulator
5264	Strap, Simulator Backing
5458	Link, Rudder Bar Safety
5687	Simulator & Lever Assembly, Stick & Rudder
5689	Shock Absorber
6009	Nut, Hexagon Iron #8-32 x 11/32" x 1/8" Cad. Plt.
6015	Nut, Hexagon Iron #10-24 x 3/8" x 1/8" Cad. Plt.
6031	Pin, Cotter; 1/16" Dia. x 1/2" Brass Bright Dip
6053	Nut, Hexagon Iron #1/4"-28 x 7/16" x 5/32" Cad. Plt.
6059	Nut, Hexagon Iron #10-32 x 3/8" x 1/8" Cad. Plt.
6090	Screw, R.H.I.M. #1/4"-20 x 1" Cad. Plt.
6099	Screw, R.H.I.M. #8-32 x 3/4" Cad. Plt.
6126	Screw, R.H.I.#8 x 1 1/4" Cad. Plt.
6131	Screw, R.H.I.W. #8 x 1" Cad. Plt.
6196	Washer, 13/64" x 1/2" x .049" Steel Cad. Plt.
6277	Nut, Hexagon Iron #3/8"-16 x 11/16" x 1/4" Cad. Plt.
6323	Washer, .190"-.198" x 3/8" x .064"-.060" Brass
6325	Washer, 7/16 x 1 x 3/32 Steel - Plain
6374	Washer, 13/64" x 7/16" x 1/16" Brass
6511	Washer, 1/4" Spring Steel Lock
6512	Washer, 17/64" x 1 1/8" x 1/16" Steel Cad. Plt.
6538	Ball Joint Assembly, 9/16" Shank x 10-32 Thread
6662	Washer, .172"-.169" x 1/2" x .052"-.048" Steel
6745	Ball Joint Assembly, 9/16" Shank x 1/4"-28 Thread
6897	Screw, Fil. H.I.M. #1/4"-20 x 2" Cad. Plt.
6921	Nut, Hexagon Iron #1/4"-20 x 7/16" x 5/32" Cad. Plt.
6985	Washer, .253"-.251" x 1/2" x 1/32" Brass
7685	Rod Assembly, Rudder Simulator
7701	Pedal Assembly, Near Rudder
7704	Link, Rudder Pedal
7710	Bracket, Rudder Pedal Countershaft
7716	Eye Bolt, #8-32 x 2 1/4 Steel Cad. Plt.
7718	Cable Assembly, Rudder Pedal - Right
7719	Cable Assembly, Rudder Pedal - Left
8351	Rod Assembly, Bank Turner Walking Beam to Aileron Valve Bellcrank
8361	Valve Assembly, Rudder Automatic Nose-Drop Type

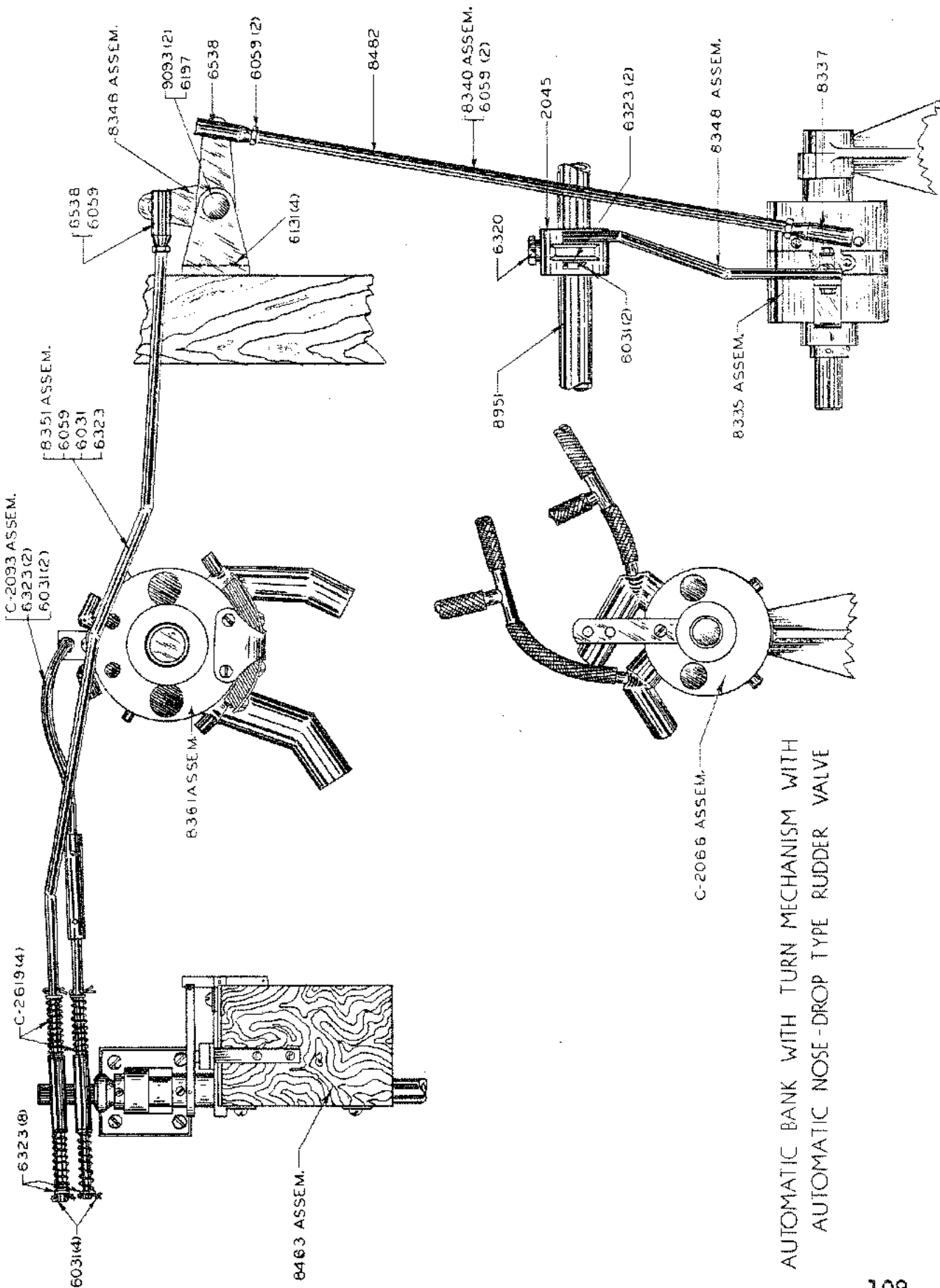
Directional Control (Continued)

Part No.	Nomenclature
8463	Spin Trip Assembly, Bank Turner
8549	Pedal Assembly, Rudder
8550	Bracket Assembly, Rudder Pedal Shaft
8658	Rod Assembly, Spin Trip to Rudder Bar
8713	Pin, Rudder Bar Link
8715	Rod Assembly, Bank Turner Link
8716	Stud, Compensator and Bank Turner Link Rod
9061	Clip, Spring (.187" x .020")
9069	Clip, Spring (.125" x .020")
9290	Strut, Cantilever
9291	Baffle, Cantilever
9584	Bar Assembly, Rudder - Complete
9585	Swivel, Rudder Bar Link Rod
9586	Rod, Spin Valve
11374	Pin, Clevis .186"-.184" x 9/32"
11432	Block Assembly, Spin Valve Rod Spring
15068	Screw, Hex. Head Steel Cap 3/8-16 x 2

Pitch Action and Instrument Control System

(Used on all Trainer Models)

Part No.	Nomenclature
C-2634	Rod Assembly, Air Speed Bellows
C-2711	Spring Assembly, Airspeed Regulator
C-2715	Wire, Air Speed Regulator Spring Link
C-3005	Screw Eye, Stall Valve Regulator Compensator Spring
C-3009	Rod Assembly, Pitch Compensator
C-4075	Rod Assembly, Tachometer Control
C-4080	Spring Assembly, Tachometer Regulator
C-4082	Wire, Tachometer Link
5106	Spring, Air Speed Regulator
5107	Nut, Spring Link Regulator
5108	Spring, Tachometer Regulator
5545	Lever Assembly, Stall Valve Regulator Pitch Compensator
6011	Screw, R.H.I.W. #8 x 3/4" Cad. Plt.
6013	Screw, R.H.I.W. #10 x 2" Cad. Plt.
6031	Pin, Cotter 1/16" Dia. x 1/2" Brass Bright Dip
6053	Nut, Hexagon Iron #1/4"-28 x 7/16" x 5/32" Cad. Plt.
6059	Nut, Hexagon Iron #10-32 x 3/8" x 1/8" Cad. Plt.
6127	Screw, R.H.I.W. #4 x 1/2" Cad. Plt.
6131	Screw, R.H.I.W. #8 x 1" Cad. Plt.
6141	Screw, R.H.I.W. #10 x 1-1/2" Cad. Plt.
6159	Screw, R.H.I.W. #6 x 1" Cad. Plt.
6171	Screw, F.H.I.W. #8 x 5/8" Cad. Plt.
6323	Washer, .190"-.188" x 3/8" x .064"-.060" Brass
6519	Washer, 1/4"
6525	Nut, Plastic #3/8" x 1/4" #41 Hole
6538	Ball Joint Assembly, 9/16" Shank x 10-32 Thread
6870	Cock, Shut-Off (3/16" Compression Double)
7192	Valve and Bellows Assembly, Stall
7569	Tank Assembly, Climb-Dive
7570	Tank Assembly, Air Speed
7659	Fitting Assembly, Climb-Dive Valve
8563	Bellows Assembly, Air-Speed Regulator
8580	Throttle Assembly
8581	Lever and Bracket Assembly, Tachometer
8606	Bellows Assembly, Tachometer Regulator
8641	Ball Joint Assembly, 5/16" Shank x 1/4"-28 Thr'd
8648	Lever Assembly, Throttle Inter. (Standard Throttle)
8651	Block Assembly, Throttle Inter. Lever Mounting
8653	Pitch Action Assembly
8691	Valves Assembly, Climb-Dive
8719	Compensator Assembly
8728	Compensator Assembly, Valve
10833	Lever Assembly, Air Speed Regulator and Throttle Control Cable
90016	Rod Assembly, Throttle to Throttle Inter. Lever
90017	Rod Assembly, Pitch Action to Throttle

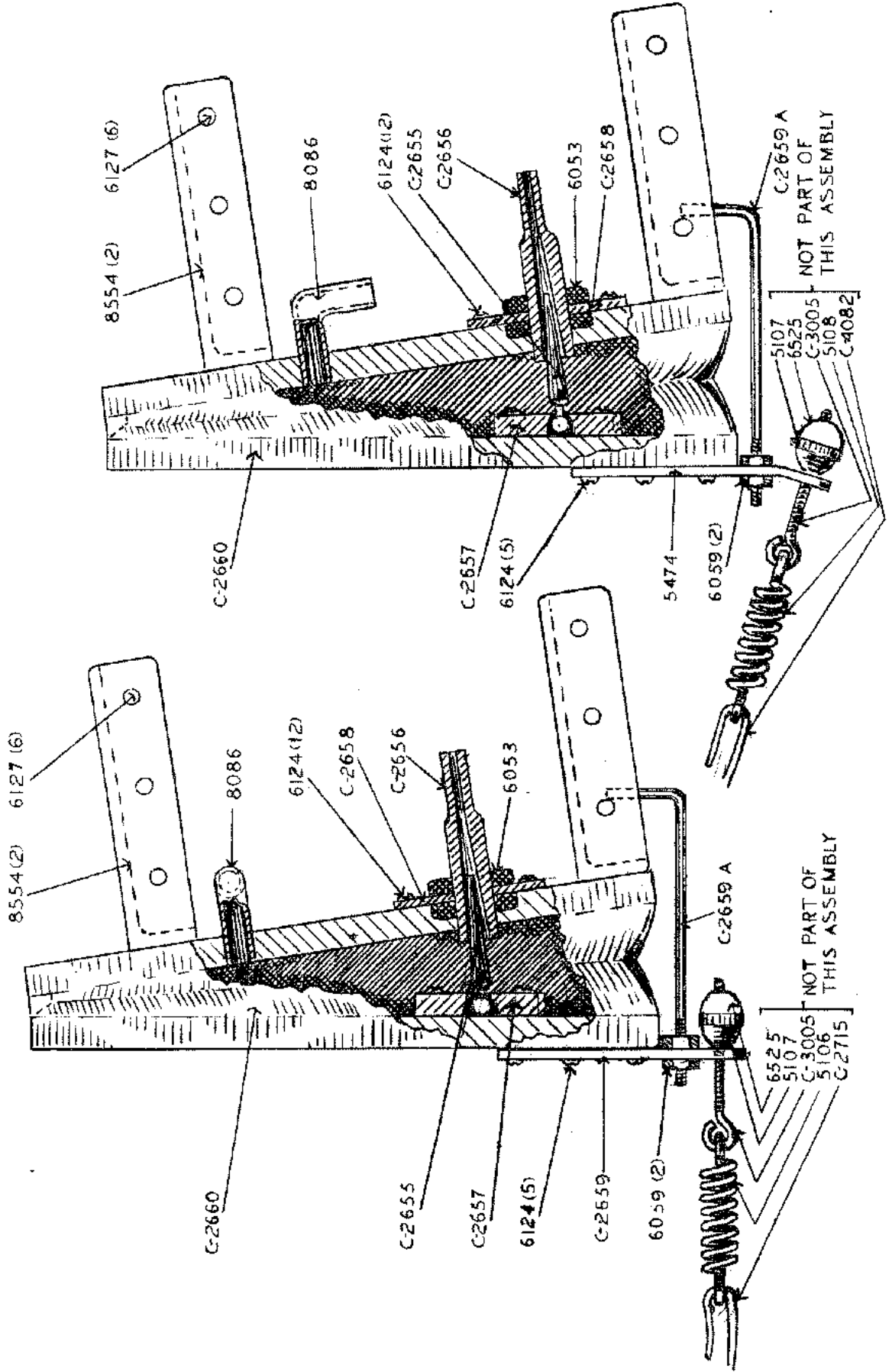


AUTOMATIC BANK WITH TURN MECHANISM WITH
 AUTOMATIC NOSE-DROP TYPE RUDDER VALVE

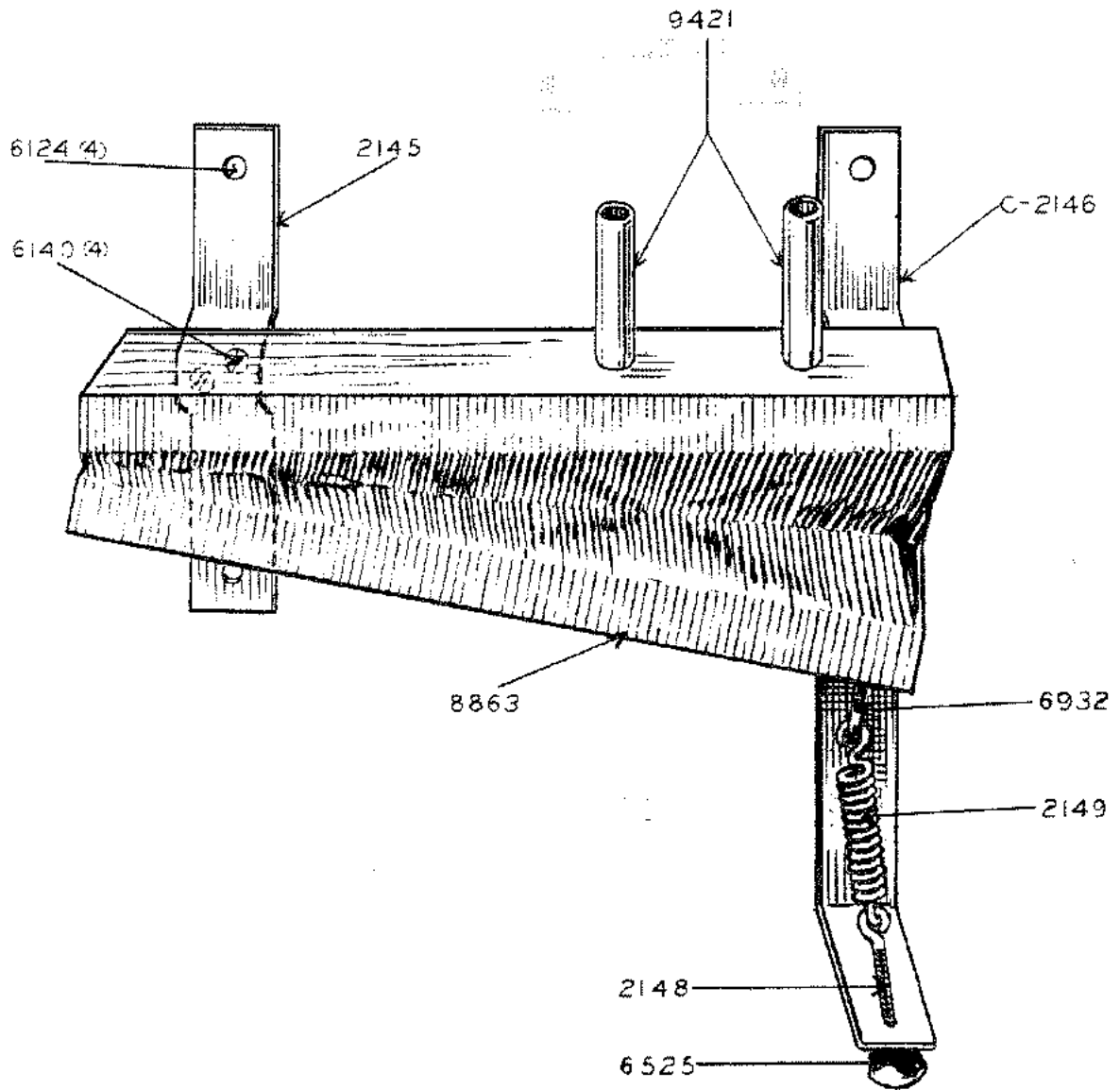
Automatic Bank with Turn Mechanism with
Automatic Nose-Drop Type Rudder Valve

(Used on all Trainer Models)

Part No.	Nomenclature
2045	Lever, Control Shaft
C-2066	Valve Assembly, Elevator
C-2093	Compensator Assembly, Rudder Valve
C-2619	Spring, Valve Compensator Link
6031	Pin, Cotter 1/16" Dia. x 1/2" Brass Bright Dip
6059	Nut, Hexagon Iron #10-32 x 3/8" x 1/8" Cad. Plt.
6131	Screw, R.H.I.W. #8 x 1" Cad. Plt.
6197	Washer, 25/64" x 7/8" x .065" Steel Cad. Plt.
6320	Screw, H.H.I. Cap 1/4"-28 x 1" Cad. Plt.
6323	Washer, .190"-.188" x 3/8" x .064"-.060" Brass
6538	Ball Joint Assembly, 9/16" Shank x 10/32" Thread
8335	Valve Assembly, Aileron-Automatic Bank Type
8337	Ball Joint Assembly, 5/16" Shank x 10-32 Thread
8340	Rod Assembly, Bell Crank To Aileron Valve
8346	Bracket & Bell Crank Assembly, Aileron Turn Action
8348	Rod Assembly, Aileron Valve Control
8351	Rod Assembly, Bank Turner Walking Beam to Aileron Valve Bellcrank
8361	Valve Assembly, Auto. Nose Drop Type Rudder
8463	Spin Trip Assembly, Bank Turner
8482	Rod, Bellcrank to Aileron Valve
8951	Shaft, Control Torque
9093	Clip, Spring (.281" x .020")



8563-BELLOWS ASSEMBLY, AIR-SPEED REGULATOR 8606-BELLOWS ASSEMBLY, TACHOMETER REGULATOR



9431- BELLOWS ASSEMBLY, TURN INDICATOR REGULATOR

8563 Bellows Assembly, Air-Speed Regulator

8606 Bellows Assembly, Tachometer Regulator

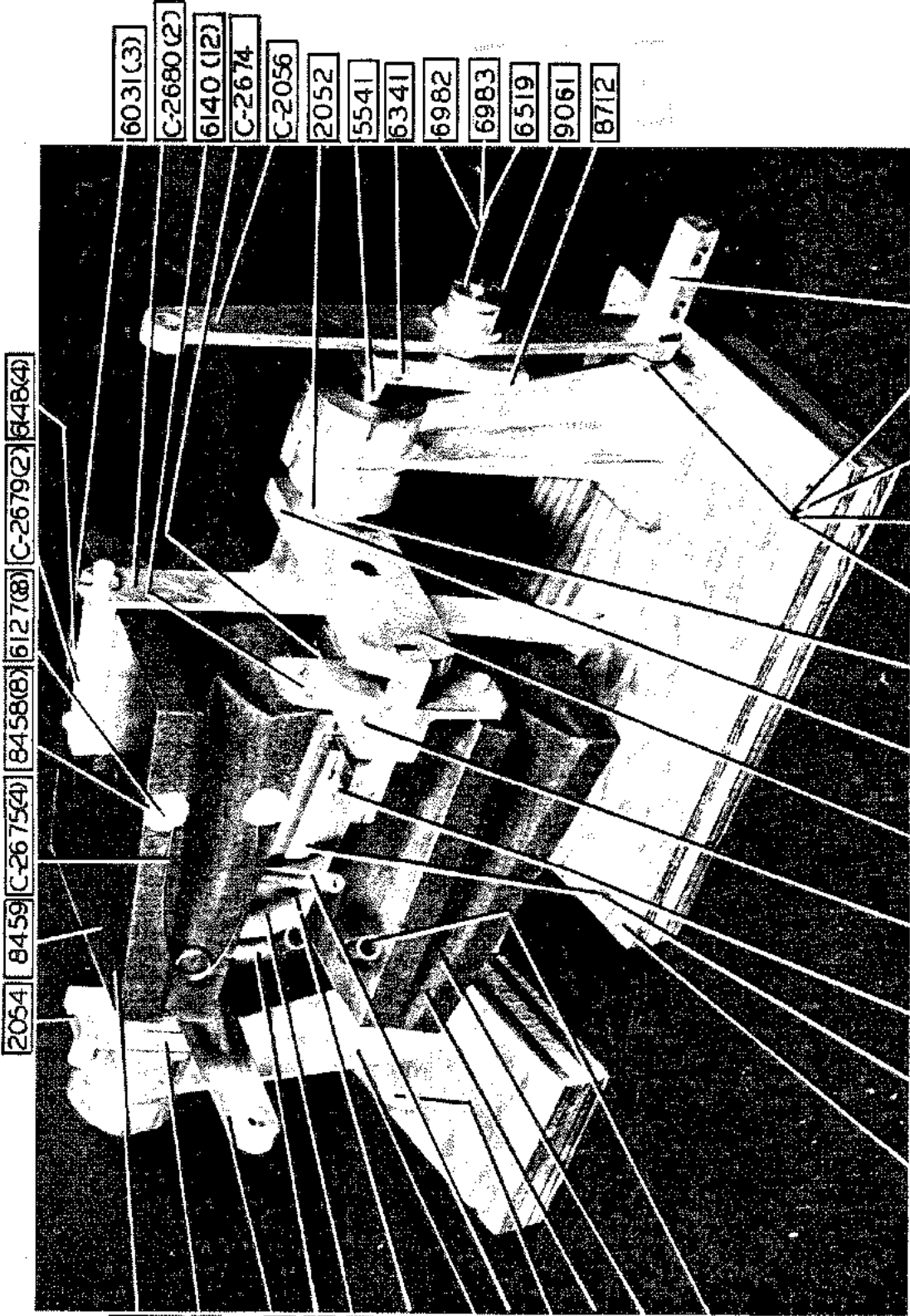
(These Assemblies are used on all Trainer Models and supersede Assembly No.C-2654. Old and new assemblies are interchangeable as units)

Part No.	Nomenclature
C-2655	Needle, Regulator Valve
C-2656	Body, Regulator Valve
C-2657	Plate, Regulator Valve Needle
C-2658	Mount, Regulator Valve Body
C-2659	Arm, Air Speed Regulator Bellows
C-2659A	Stop, Regulator Bellows
C-2660	Bellows Assembly, Air Speed and Tachometer Regulator
C-2715	Wire, Air Speed Regulator Spring Link
C-3005	Screw Eye, Stall Valve Regulator Compensator Spring
C-4082	Wire, Tachometer Link
5106	Spring, Air Speed Regulator
5107	Nut, Spring Link Regulator
5108	Spring, Tachometer Regulator
5474	Arm, Tachometer Regulator Bellows
6053	Nut, Hexagon Iron #1/4"-28 x 7/16" x 5/32" Cad.Plt.
6059	Nut, Hexagon Iron #10-32 x 3/8" x 1/8" Cad.Plt.
6124	Screw, R.H.I.W. #4 x 3/8" Cad.Plt.
6127	Screw, R.H.I.W. #4 x 1/2" Cad.Plt.
6525	Nut, Plastic #3/8" x 1/4" #41 Hole
8086	Elbow, 1/8" I.D. x 5/32" O.D. 90°
8554	Bracket, Bellows Mounting

9431 Bellows Assembly, Turn Indicator Regulator

(This Assembly is used on all Trainer Models and supersedes Assemblies No.C-2142 and No.5652. Old and new assemblies are interchangeable as units)

Part No.	Nomenclature
2145	Bracket, Turn Indicator Regulator Bellows-Left
C-2146	Bracket, Turn Indicator Regulator Bellows Spring-R
2148	Screw Eye, Turn Indicator Regulator Spring
2149	Spring, Turn Indicator Regulator
6124	Screw, R.H.I.W. #4 x 3/8" Cad.Plt.
6140	Screw, R.H.I.W. #3 x 3/8" Cad.Plt.
6525	Nut, Plastic #3/8" x 1/4" #41 Hole
6932	Screw-Eye, #216 Bright Steel Wire
8863	Bellows, Turn Indicator Regulator
9421	Tubing, Turn Indicator Regulator-Bellows



8460
BELLOWS
ONLY

6341

8461

8087

C-2669

C-2670
BELLOWS
ONLY

8532 (2)

C-2676

6131(6)

8457

8455
BELLOWS
ONLY

8087

2054 8459 C-2675(4) 8458(8) 6127(8) C-2679(2) 848(4)

6031(3)

C-2680 (2)

6140 (12)

C-2674

C-2056

2052

5541

6341

6982

6983

6519

9061

8712

5494 6148 C-2678 8187 C-2677 6600 6025 6982 6983 6519 6031 8325

8463 SPIN TRIP ASSEMBLY, BANK TURNER

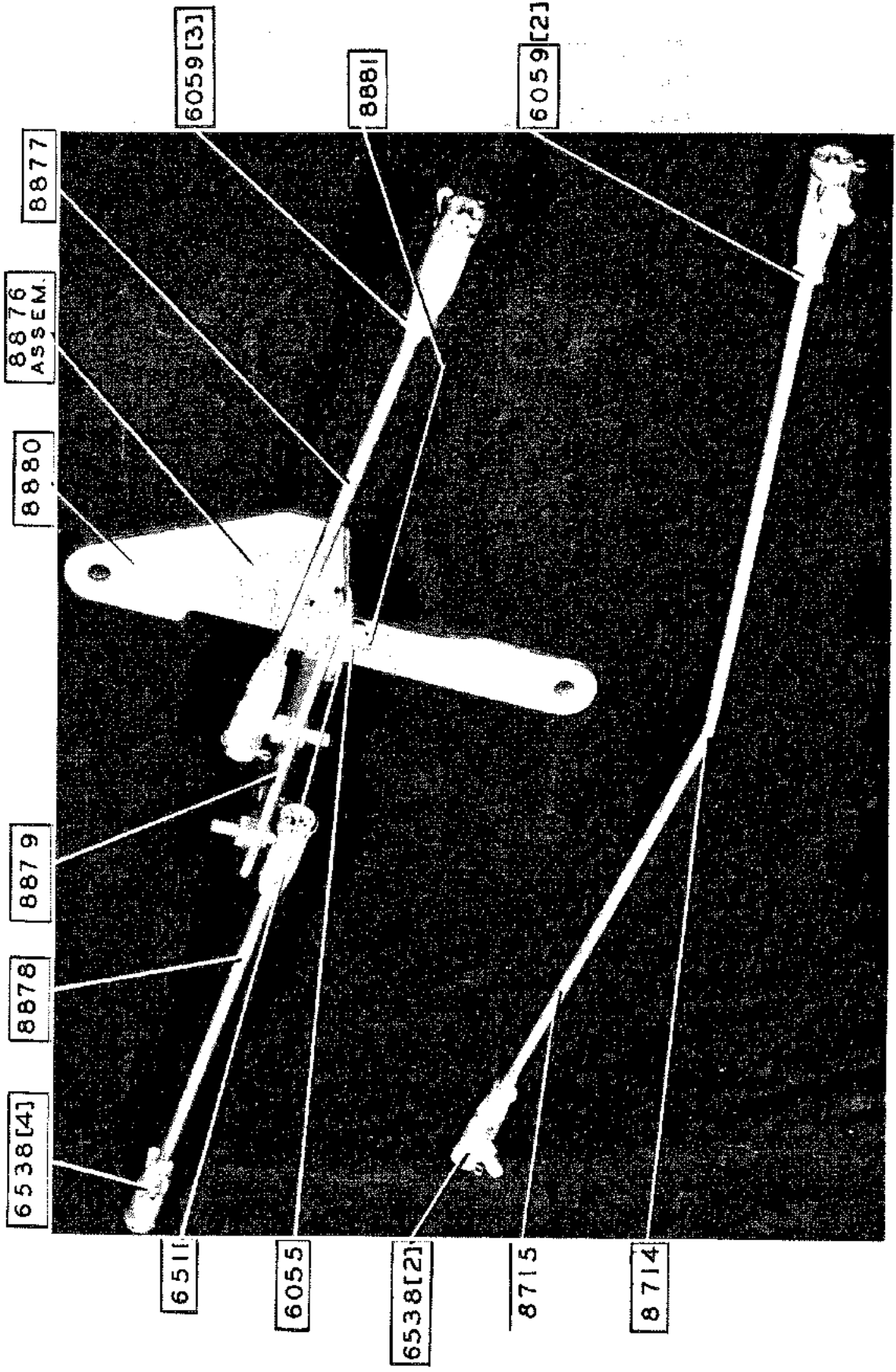
8463 Spin Trip Assembly, Bank Turner

(This Assembly supersedes Assembly No. C-2047 and is used on all Trainer Models. Old and new assemblies are interchangeable as units.)

Part No.	Nomenclature
2052	Collar, 3/8" Set
2054	Arm Assembly, Bank Turner Torque Shaft Stop
C-2056	Beam Assembly, Bank Turner Walking
C-2669	Bellows Assembly, Spin Trip
C-2670	Bellows, Spin Trip
C-2674	Stop, Spin Trip Bellows
C-2675	Spring, Bellows Expansion
C-2676	Elbow, Spin Trip Bellows
C-2677	Lever Assembly, Spin Trip Bellows Lock
C-2678	Toggle Assembly, Spin Trip Bellows
C-2679	Stud, Spin Bellows Hinge
C-2680	Link, Spin Bellows
5494	Base, Bank Turner Spin Trip
5541	Shaft, Bank Turner Torque
6025	Screw, Bristo Headless I. Set #10-24 x 3/16" Cup Point Hardened
6031	Pin, Cotter 1/16" Dia. x 1/2" Brass Bright Dip
6127	Screw, R.H.I.W. #4 x 1/2" Cad. Plt.
6131	Screw, R.H.I.W. #8 x 1" Cad. Plt.
6140	Screw, R.H.I.W. #3 x 3/8" Cad. Plt.
6148	Screw, #5 x 1/2 R.H.I.W. Cad. Plt.
6341	Pin, Groov 1/8" x 3/4" Type #1
6519	Washer, 1/4"
6600	Pin, Groov 1/8" Dia. x 1" Lg-#1 Type
6982	Washer, .253"-.251" x 1/2" x .002" Brass
6983	Washer, .253"-.251" x 1/2" x .008" Brass
8087	Elbow, 3/16" I.D. x 1/4" O.D. 90°
8187	Pin, Spin-Trip Toggle Pivot
8325	Swivel, Bank Turner
8455	Bellows, Spin Lower
8457	Bellows Assembly, Spin-Lower
8458	Washer, Sheepskin
8459	Bellows Assembly, Spin-Upper
8460	Bellows, Spin Upper
8461	Bracket Assembly, Spin Trip
8532	Bracket Assembly, Pedestal
8712	Arm Assembly, Bank Turner Shaft
9061	Clip, Spring (.187" x .020")

Mountings for this Assembly

6126	Screw, R.H.I.W. #8 x 1-1/4" Cad. Plt.
6149	Screw, R.H.I.W. #8 x 1-1/2" Cad. Plt.



8876 BRACKET AND LEVER ASSEM, BANK TURNER INTER
 8715 ROD ASSEMBLY, BANK TURNER LINK

8715 Rod Assembly, Bank Turner Link

8876 Bracket & Lever Assem., Bank Turner Inter.

(Used on all Trainer Models)

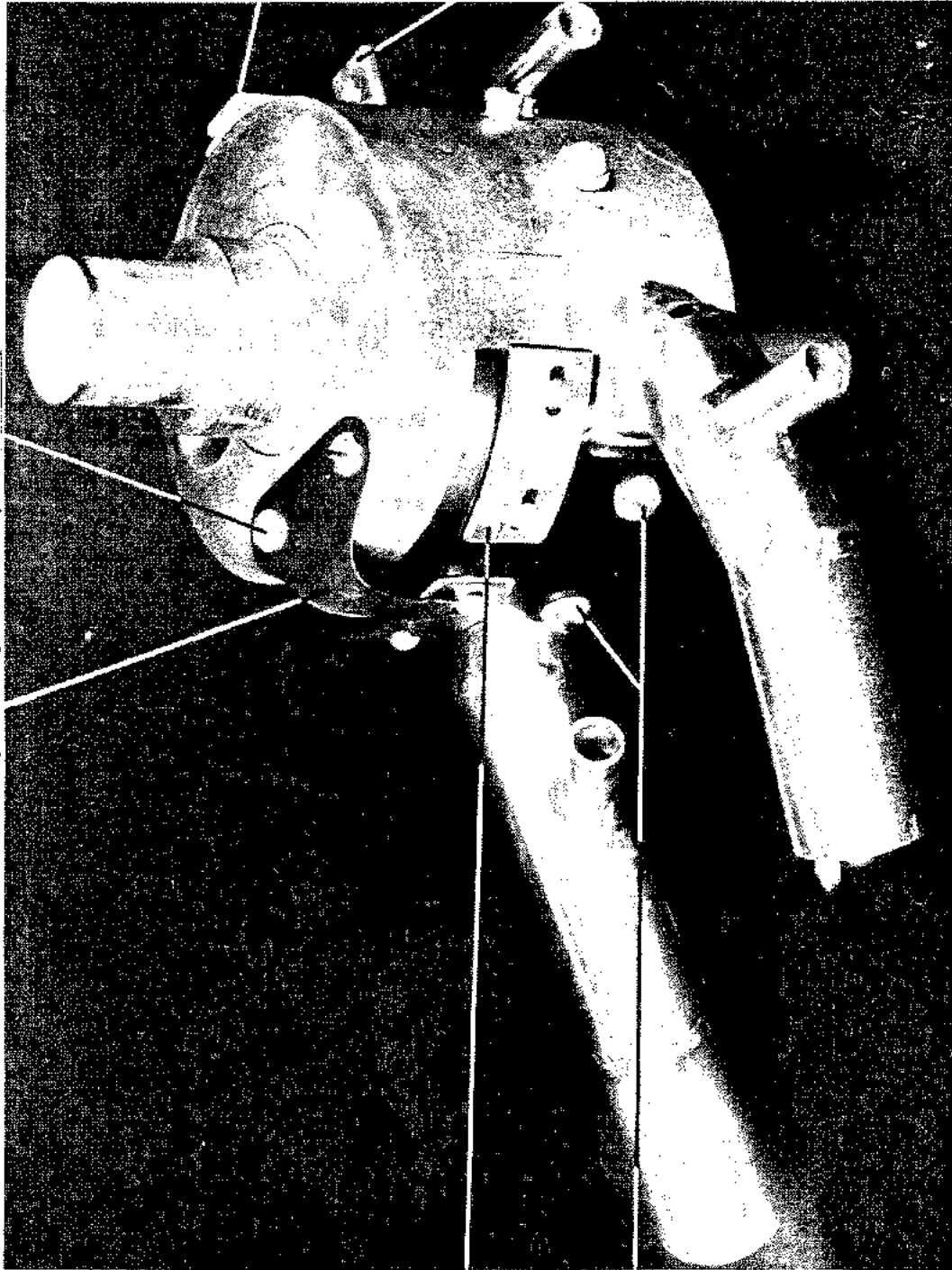
Part No:	Nomenclature
6055	Nut, Hexagon Iron #1/4"-20 x 7/16" x 3/16" Cad. Plt.
6059	Nut, Hexagon Iron #10-32 x 3/8" x 1/8" Cad. Plt.
6511	Washer, 1/4" Spring Steel Lock
6538	Ball Joint Assembly, 9/16" Shank x 10/32" Thread
8714	Rod, Bank Turner Link
8715	Rod Assembly, Bank Turner Link
8876	Bracket & Lever Assem., Bank Turner Inter.
8877	Rod, Bank Turner Upper Link
8878	Rod, Bank Turner Lower Link
8879	Lever, Bank Turner Inter.
8880	Bracket, Bank Turner Intermediate Lever
8881	Screw, Bank Turner Inter. Lever Pivot

6030 [2]

5752

6080 [2]

5761



5751

6110 [2]

8361 VALVE ASSEMBLY, AUTO.
NOSE DROP TYPE RUDDER

8361 Valve Assembly, Auto. Nose Drop Type Rudder

(This Assembly supersedes Assembly No.5764 and is used on all Trainer Models. Old and New Assemblies are interchangeable as units)

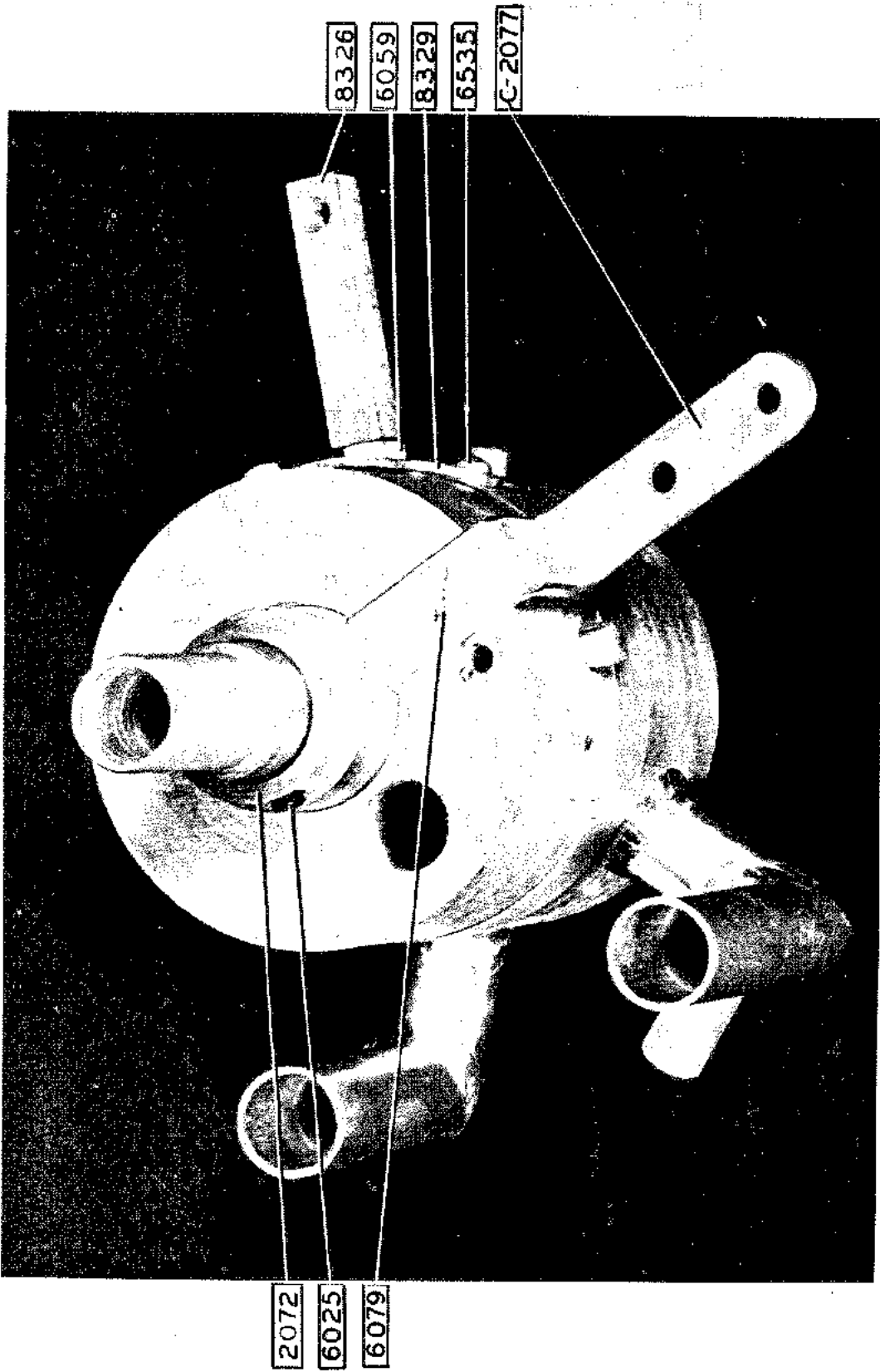
Part No.

Nomenclature

5751 Contact Assembly, Compass Defl'r. Switch
5752 Arm, Compass Deflector Switch
5761 Arm, Rudder Valve Lever
6030 Screw, R.H.I.M. #8-32 x 1/4" Cad. Plt.
6080 Screw, F.H.I.M. #8-32 x 1/2" Cad. Plated
6119 Screw, R.H.I.M. #10-32 x 1/2" Cad. Plt.

Mountings for this Assembly on Fuselage Floor

2092 Socket, Rudder Valve
6711 Screw, Bristo Headless I. Set 1/4"-20 x 3/8" Cup Pt. Harden



8335 VALVE ASSEMBLY, AILERON AUTOMATIC BANK TYPE

8335 Valve Assembly, Aileron Automatic Bank Type

(This Assembly is used on all Trainer Models and supercedes Assembly No. C-2074. Old and new assemblies are not interchangeable unless additional parts are furnished for a changeover. These are contained in Group No. 90003.)

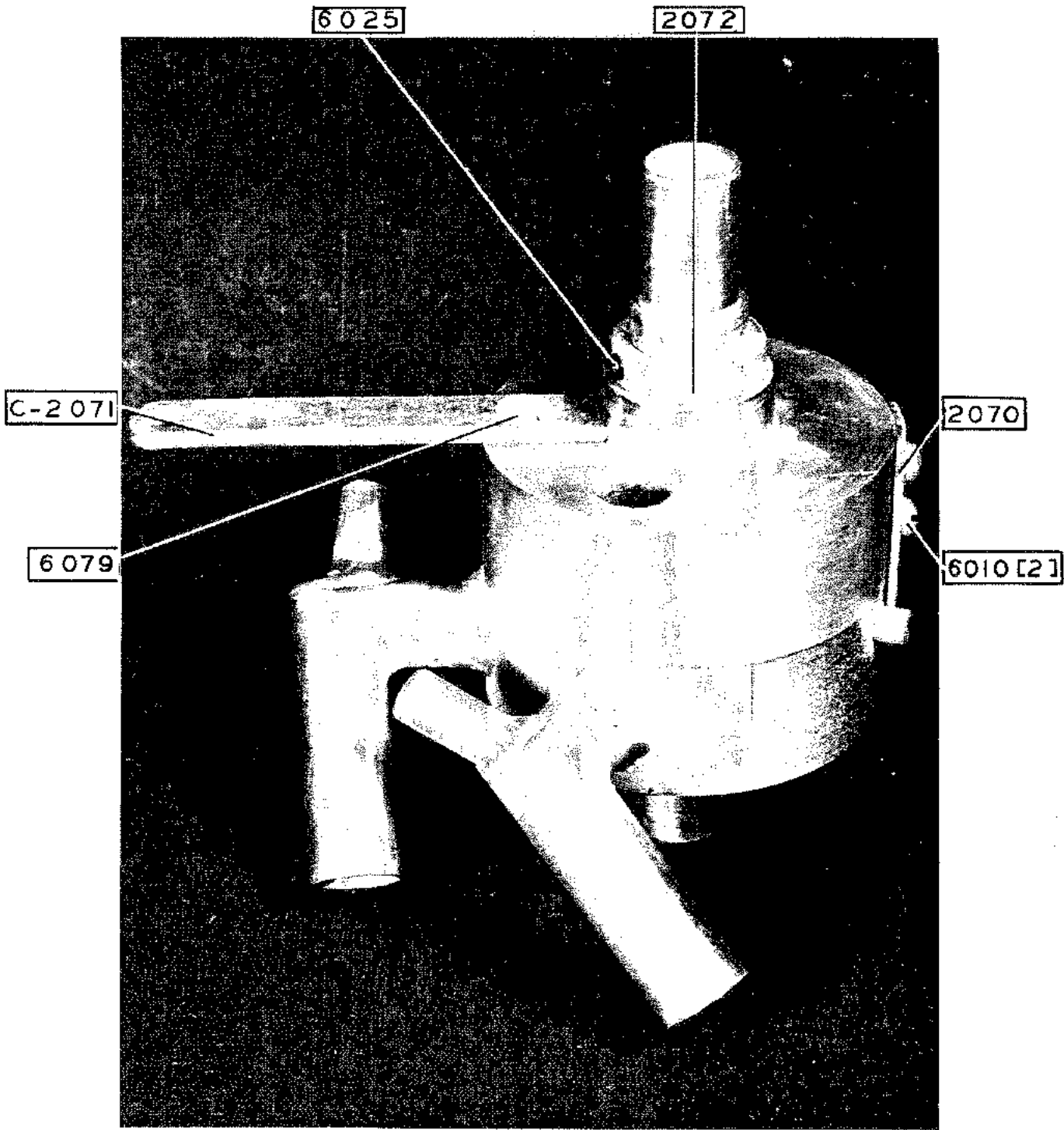
Part No.

Nomenclature

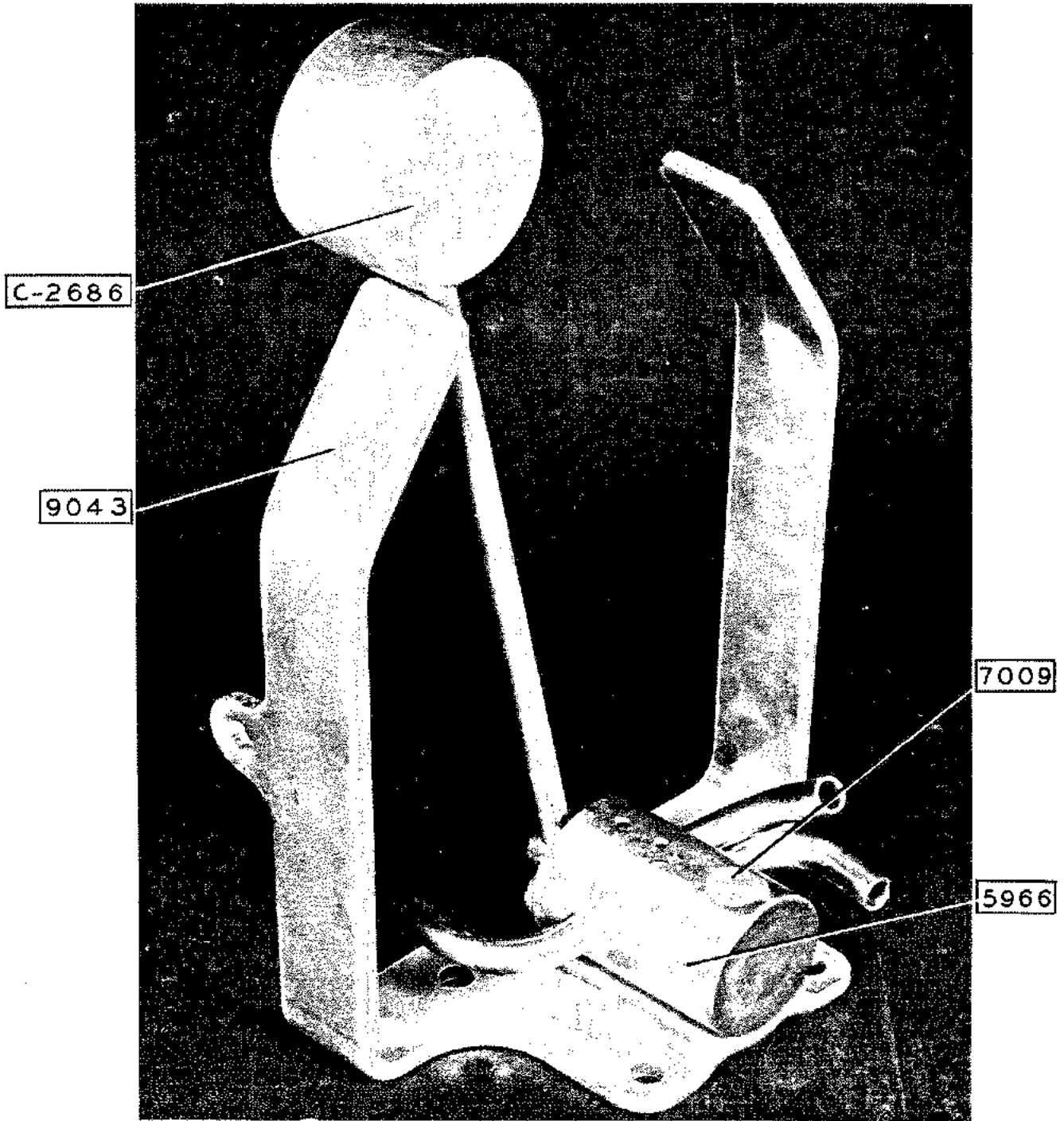
2072	Collar, 3/4" Set
C-2077	Arm, Aileron Valve Lever
6025	Screw, Bristo Headless I. Set #10-24 x 3/16" Cup Point Hardened
6059	Nut, Hexagon Iron #10-32 x 3/8" x 1/8" Cad. Plt.
6079	Screw, F.H.I.M. #10-24 x 1/2" Cad. Plt.
6535	Screw, Parker Kalon Type U-I Drive R.H. #4 x 1/4"
8326	Lever, Aileron Valve Center Leaf
8329	Stop, Aileron Valve

Mountings for this Assembly on Fuselage Floor

6131	Screw, R.H.I.W. #8 x 1" Cad. Plt.
6149	Screw, R.H.I.W. #8 x 1-1/2" Cad. Plt.
6711	Screw, Bristo Headless I. Set 1/4"-20 x 3/8" Cup Point Harden
8521	Bracket Assembly, Pedestal



C-2066 VALVE ASSEMBLY, ELEVATOR



C-2682 VALVE ASSEMBLY, SPIN

C-2066 Valve Assembly, Elevator

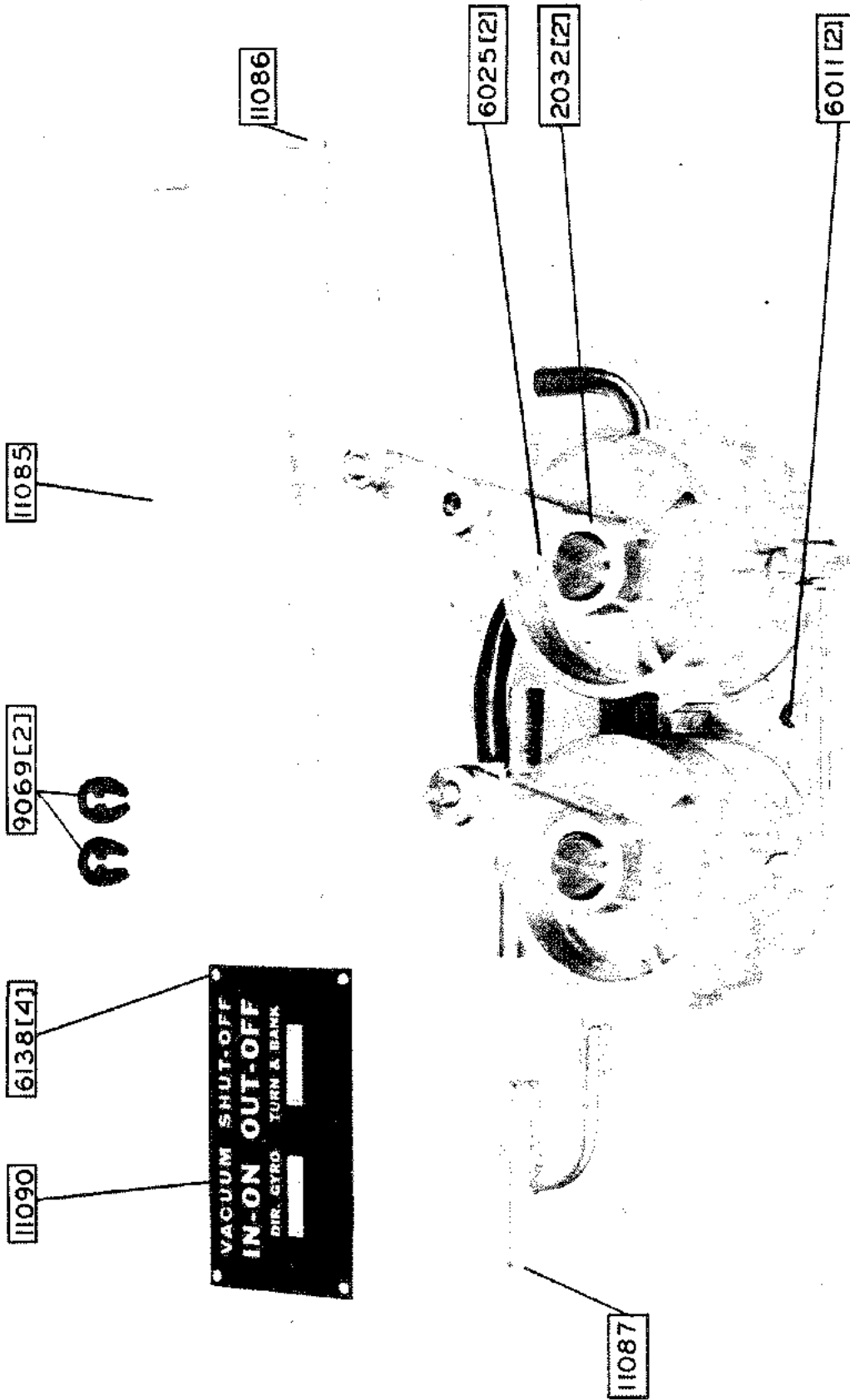
(Used on all Trainer Models)

Part No.	Nomenclature
2070	Stop, Elevator and Aileron Valve
C-2071	Arm, Elevator Valve Lever
2072	Collar, 3/4" Set
6010	Screw, R.H.I.M. #8-32 x 1/2" Cad. Plt.
6025	Screw, Bristo Headless I. Set #10-24 x 3/16" Cup Point Hardened
6079	Screw, F.H.I.M. #10-24 x 1/2" Cad. Plt.
	Mountings for this Assembly on Fuselage Floor
6126	Screw, R.H.I.W. #8 x 1 1/4" Cad. Plt.
6711	Screw, Bristo Headless I. Set 1/4"-20 x 3/8" Cup Point Hardened
8521	Bracket Assembly, Pedestal

C-2682 Valve Assembly, Spin

(Used on all Trainer Models)

Part No.	Nomenclature
C-2686	Pendulum Assembly, Spin Valve
5966	Body and Stem Assembly, Spin Valve
7009	Screw, F.H.I.M. #10-32 x 1 1/8" Cad. Plt.
9043	Base, Spin Valve
	Mountings for this Assembly on Fuselage Floor
6131	Screw, R.H.I.W. #8 x 1" Cad. Plt.



11071 VALVE ASSEMBLY, GYRO AND TURN INDICATOR

11071 Valve Assembly, Gyro & Turn Indicator

(Used on AN 2550-1 Trainer Models)

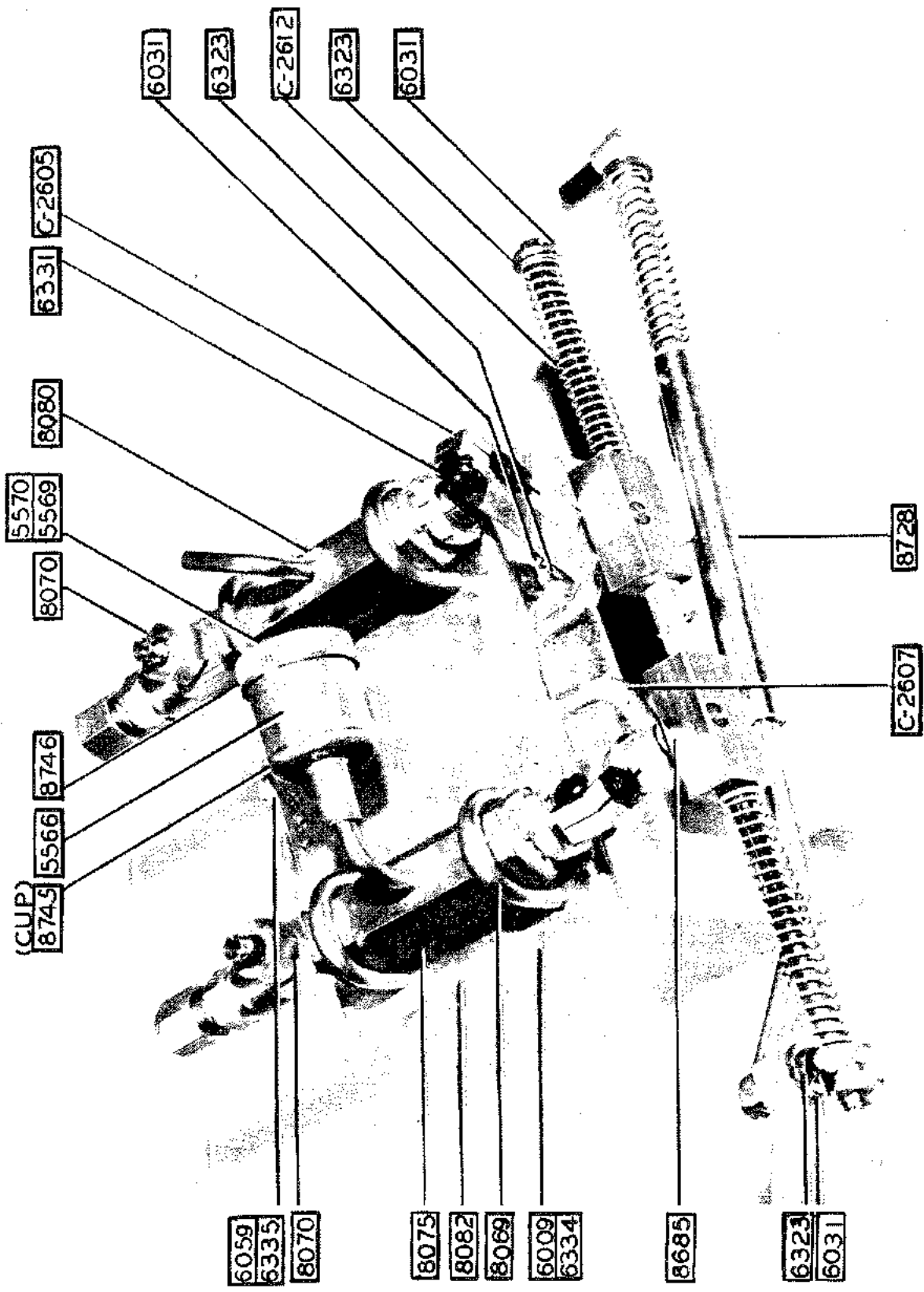
Part No.	Nomenclature
2032	Collar, 1/2" Set
6025	Screw, Bristo Headless I Set #10-24 x 3/16" Cup Pt. Hardened

Mountings for this Assembly on Trainer Floor

6011	Screw, R.H.I.W. #8 x 3/4" Cad. Plt.
------	-------------------------------------

Following Parts shown in view are not included in No. 11071 Assembly and should be ordered separately:

6138	Screw, R.H.I.W. #2 x 3/8" Cad. Plt.
9069	Clip, Spring (.125" x .020")
11085	Lever, Turn Indicator Valve
11086	Lever, Gyro Indicator Valve
11087	Connector Assembly, Gyro and Turn Indicator Valve
11090	Plate, Gyro & Turn Indicators Vacuum Shut-Off

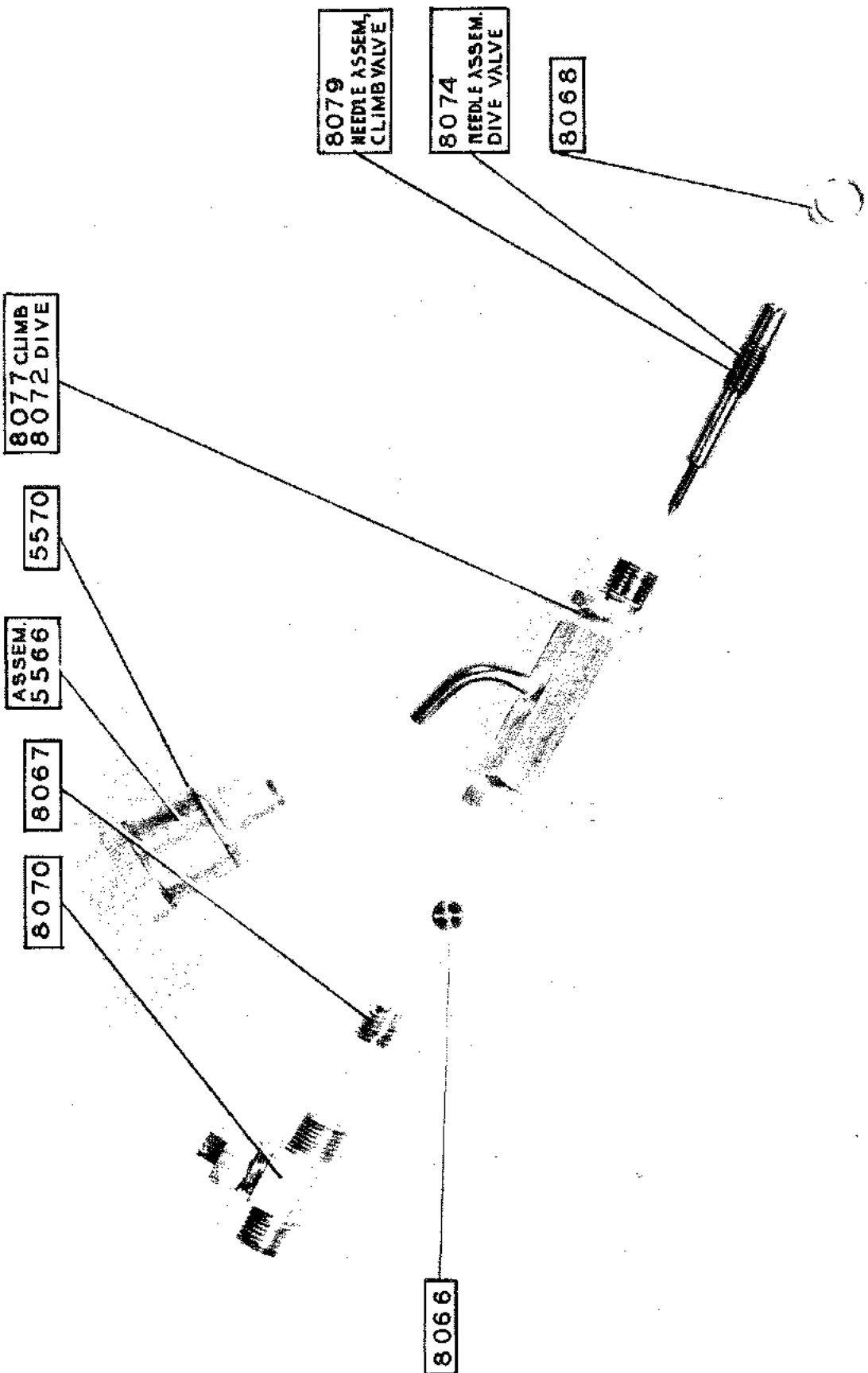


8691 VALVES ASSEMBLY, CLIMB-DIVE

8691 Valves Assembly, Climb-Dive

(This Assembly supersedes Assembly No. 8081 and is used on all Trainer Models. Old and new assemblies are interchangeable if Part No. 8728 is also furnished.)

Part No.	Nomenclature
C-2605	Lever, Climb-Dive Valves
C-2607	Stop, Climb-Dive Valves
C-2612	Spring, Valve Push Rod Return
5566	Filter Assembly, Air
5569	Screen, Air Filter
5570	Plug, Air Filter
6009	Nut, Hexagon Iron #8-32 x 11/32" x 1/8" Cad. Plt.
6031	Pin, Cotter 1/16" Dia. x 1/2" Brass Bright Dip
6059	Nut, Hexagon Iron #10-32 x 3/8" x 1/8" Cad. Plt.
6323	Washer, .190"-.188" x 3/8" x .064"-.060" Brass
6331	Screw, R.H.I.M. #8-32 x 5/16" Cad. Plt.
6334	Washer, #8 Internal Teethlock-Steel
6335	Washer, #10 Internal Teethlock-Steel
8069	Yoke, Valve Body
8070	Valve, Limit
8075	Valve Assembly, Dive
8080	Valve Assembly, Climb
8082	Base, Climb-Dive Valve
8685	Rod Assembly, Valve Push
8728	Compensator Assembly, Valve (Note: This part is not a component of the Climb-Dive Assembly. It must be ordered separately as it is not furnished with a Climb-Dive Assembly unless requested.)
8745	Cup, Air Filter
8746	Cap, Air Filter
	Mountings for this Assembly on Fuselage Floor
6011	Screw, R.H.I.W. #8 x 3/4" Cad. Plt.

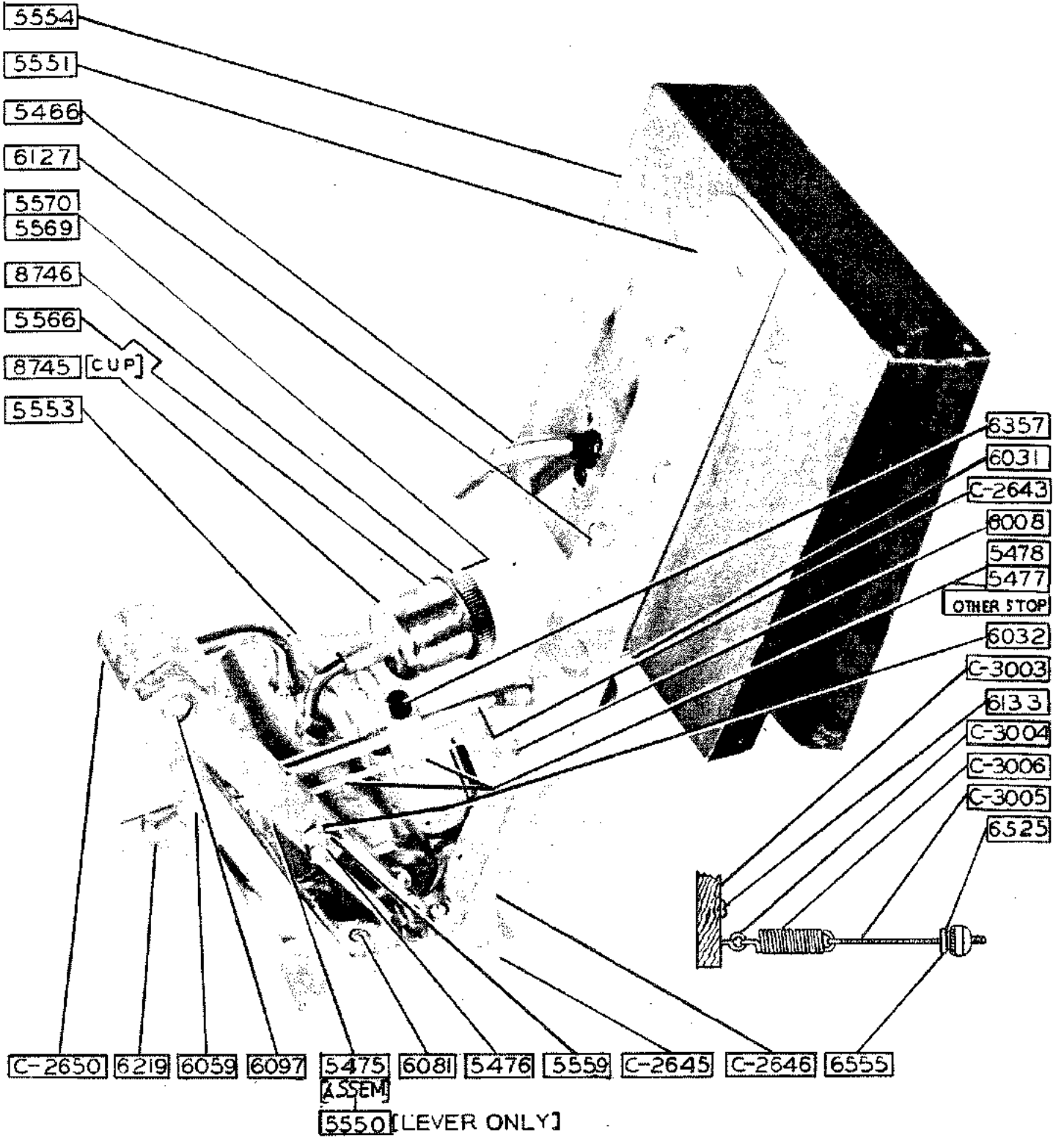


BREAK DOWN OF 8075"VALVE ASSEMBLY, DIVE"
AND 8080"VALVE ASSEMBLY, CLIMB"

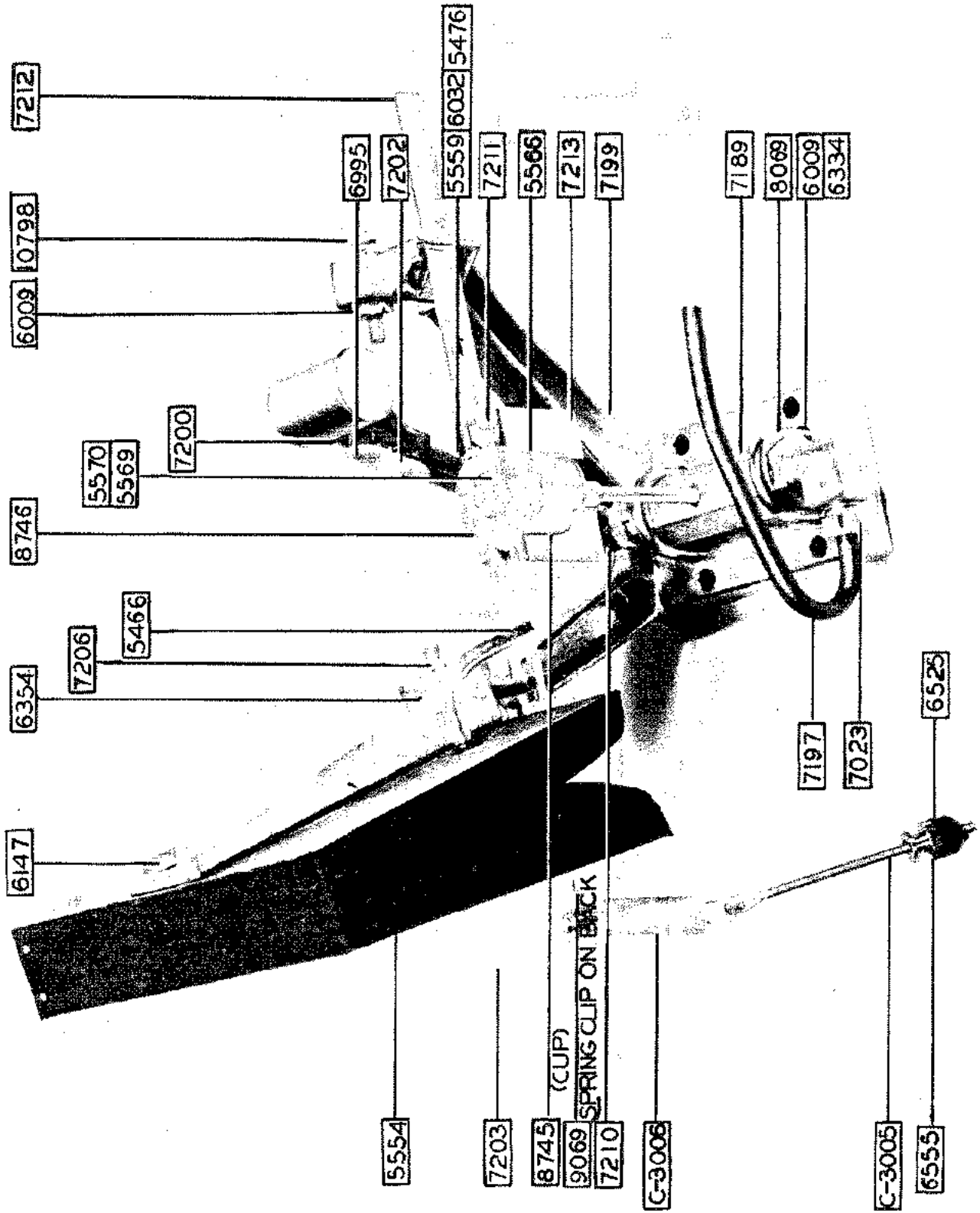
Break Down of 8075 "Valve Assembly, Dive"
and 8080 "Valve Assembly, Climb"

(Used on all Trainer Models)

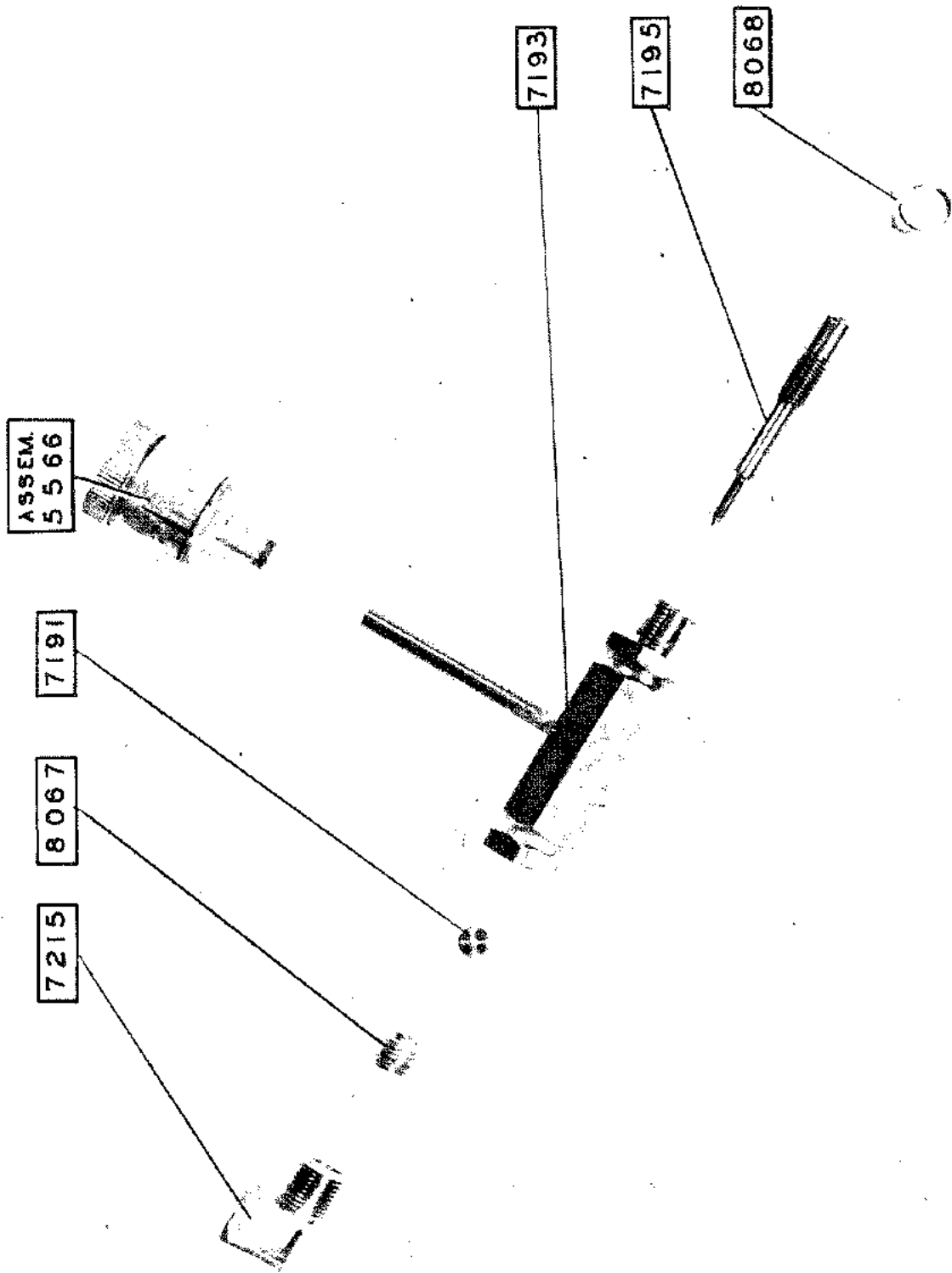
Part No.	Nomenclature
5566	Filter Assembly, Air
5570	Plug, Air Filter
8066	Seat, Climb-Dive Valves
8067	Screw, Climb-Dive Valves Seat Clamp
8068	Nut, Climb-Dive Valves Adjusting
8070	Valve, Limit
8072	Body Assembly, Dive Valve
8074	Needle Assembly, Dive Valve
8077	Body Assembly, Climb Valve
8079	Needle Assembly, Climb Valve



5552 VALVE AND BELLOWS ASSEMBLY, STALL



7192 VALVE AND BELLOWS ASSEMBLY, STALL



BREAKDOWN OF NEW
 7189 "VALVE ASSEMBLY, STALL"

5552 Valve and Bellows Assembly, Stall

(This Assembly was used on all Trainer Models. It is now obsolete and superseded by Assembly No. 7192. Old and new assemblies are not interchangeable unless additional parts are furnished for a changeover. These are contained in Group No. 90019.)

Part No.	Nomenclature
*C-2643	Rod Assembly, Stall Valve
*C-2645	Base, Stall Valve
*C-2646	Stop, Stall Valve
*C-2650	Weight, Stall Valve Lever
*C-3003	Arm, Stall Valve Regulator Bellows
C-3004	Screw Eye, Stall Valve Bellows Arm
C-3005	Screw Eye, Stall Valve Regulator Compensator Spring
C-3006	Spring, Stall Valve Regulator Comp.
5466	Elbow, 3/16"
*5475	Lever Assembly, Stall Valve
5476	Stud, Pendulum Lever Adjusting
*5477	Stop, Stall Valve Rod
*5478	Stop Assembly, Stall Valve Aligning Rod
*5550	Lever, Stall Valve Pendulum
*5551	Support, Stall Valve Regulator Bellows
*5553	Valve Body Assembly, Stall
5554	Bellows Assembly, Stall Valve Regulator
5559	Washer, #6 Plain
5566	Filter Assembly, Air
5569	Screen, Air Filter
5570	Plug, Air Filter
6008	Screw, R.H.I.M. #8-32 x 3/8" Cad. Plt.
6031	Pin, Cotter 1/16" Dia. x 1/2" Brass Bright Dip
6032	Nut, Hexagon Brass #5-40 x 5/16" x 7/64" Bright Dip
6059	Nut, Hexagon Iron #10-32 x 3/8" x 1/8" Cad. Plt.
6081	Screw, F.H.I.M. #10-32 x 1/2" Cad. Plt.
6097	Screw, R.H.I.M. #8-32 x 5/8" Cad. Plt.
6127	Screw, R.H.I.W. #4 x 1/2" Cad. Plt.
6133	Screw, R.H.I.W. #4 x 5/8" Cad. Plt.
6219	Screw, R.H.I.M. #10-32 x 1-1/4" Cad. Plt.
6357	Screw, Bristo Headless I. Set #10-32 x 5/16" Cup Point Hardened
6525	Nut, Plastic #3/8" x 1/4" #41 Hole
6555	Nut, Knurled #4-36 x 3/8" Dia. x 9/32 High Brass
8745	Cup, Air Filter
8746	Cap, Air Filter

*Note: Parts marked with an asterisk are obsolete. They are either available for service or a substitution of recent design may be made.

5552 Valve and Bellows Assembly, Stall (Continued)

Part No.	Nomenclature
	Mountings for this Assembly on Fuselage Floor
6141	Screw, R.H.I.W. #10 x 1-1/2" Cad. Plt.

7192 Valve and Bellows Assembly, Stall

(This Assembly is used on all Trainer Models. It supersedes Assembly No. 5552. Old and new assemblies are not interchangeable unless additional parts are furnished for a changeover. These are contained in Group No. 90019.)

Part No.	Nomenclature
C-3005	Screw Eye, Stall Valve Regulator Compensator Spring
C-3006	Spring, Stall Valve Regulator Comp.
5466	Elbow, 3/16"
5476	Stud, Pendulum Lever Adjusting
5554	Bellows Assembly, Stall Valve Regulator
5559	Washer, #6 Plain
5566	Filter Assembly, Air
5569	Screen, Air Filter
5570	Plug, Air Filter
6009	Nut, Hexagon Iron #8-32 x 11/32" x 1/8" Cad. Plt.
6032	Nut, Hexagon Brass #5-40 x 5/16" x 7/64" Bright Dip
6147	Screw, R.H.I.W. #5 x 3/8" Cad. Plt.
6334	Washer, #8 Internal Teethlock-Steel
6354	Screw, Bristo Headless I. Set #8-32 x 3/16" Cup Pt. Hardened
6525	Nut, Plastic #3/8" x 1/4" #41 Hole
6555	Nut, Knurled #4-36 x 3/8" Dia. x 9/32" High Brass
6995	Screw, St. Side B.H.I.M. #5-40 x 1/4" Cad. Plt.
7023	Nut, 3/16" Tube Sleeve
7189	Valve Assembly, Stall
7197	Connector, Stall Valve Elbow
7199	Base, Stall Valve
7200	Lever Assembly, Stall Valve Pendulum
7202	Seal, Stall Valve Jet
7203	Arm Assembly, Stall Valve Regulator Bellows
7206	Jet Assembly, Stall Valve
7210	Screw, Stall Valve Pendulum Clamp
7211	Screw, Stall Valve Link Stop
7212	Link, Stall Valve
7213	Stop, Stall Valve Link

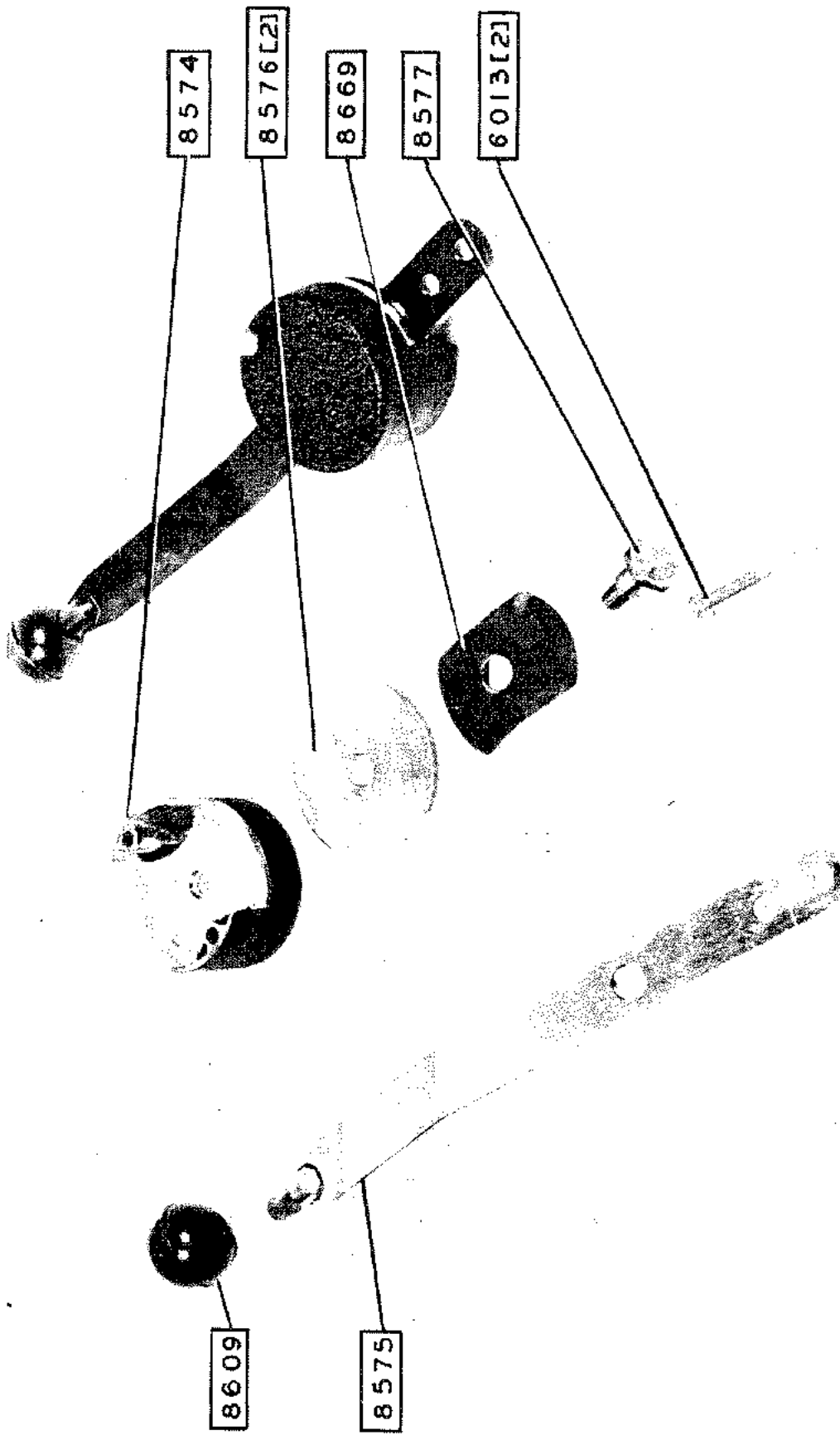
7192 Valve and Bellows Assembly, Stall (Continued)

Part No.	Nomenclature
8069	Yoke, Valve Body
8745	Cup, Air Filter
8746	Cap, Air Filter
9069	Clip, Spring (.125" x .020")
10798	Screw, Fil. H.I.M. #8-32 x 1" Cad. Plt.
	Mountings for this Assembly on Fuselage Floor
6141	Screw, R.H.I.W. #10 x 1 1/2" Cad. Plt.

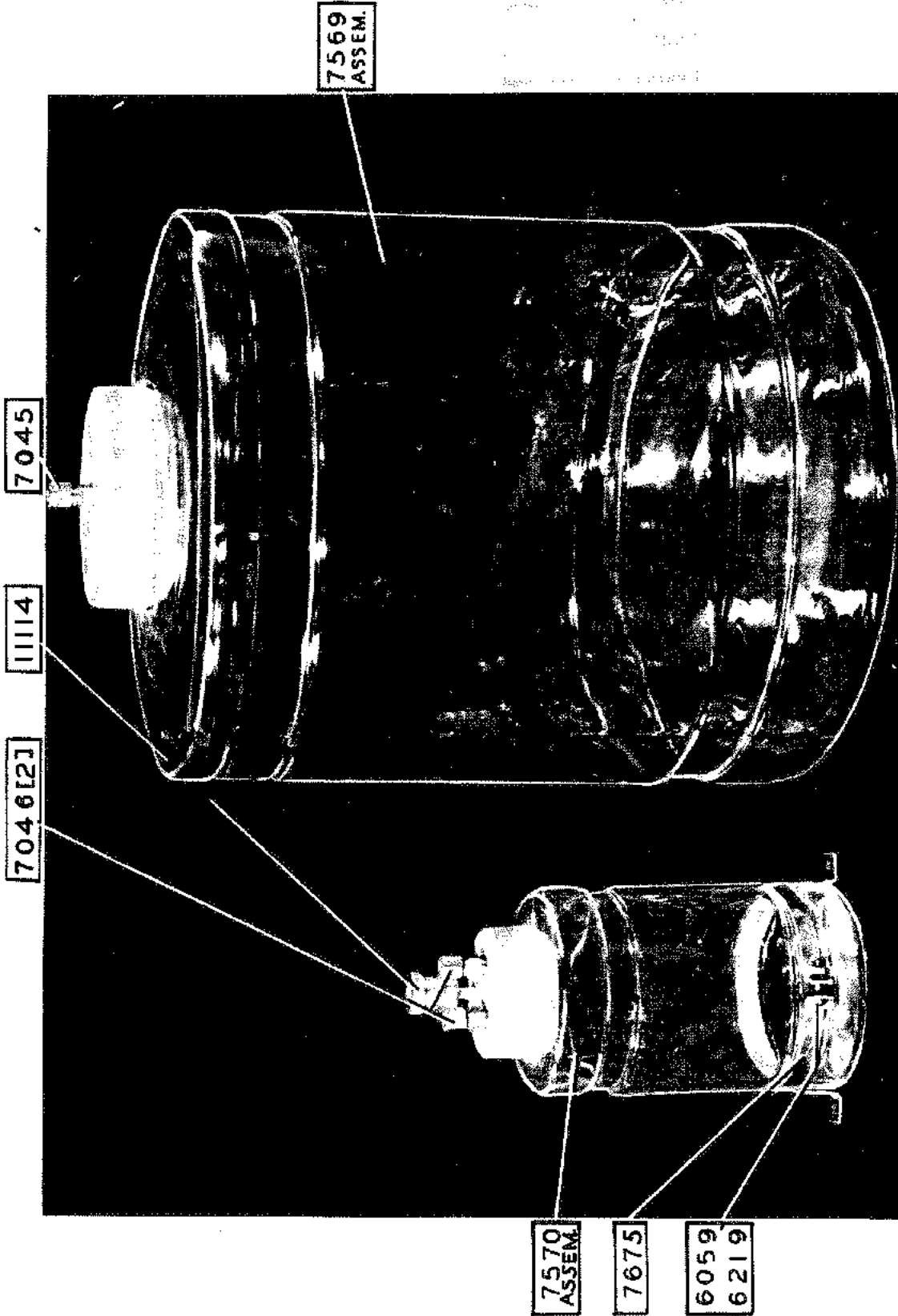
Breakdown of New 7189 "Valve Assembly, Stall"

(Used on all Trainer Models)

Part No.	Nomenclature
5566	Filter Assembly, Air
7191	Seat, Stall Valve
7193	Body Assembly, Stall Valve
7195	Needle Assembly, Stall Valve
7215	Elbow, One 3/16" Tube x 1/8" Pipe Thread
8067	Screw, Climb-Dive Valves Seat Clamp
8068	Nut, Climb-Dive Valves Adjusting



8580 THROTTLE ASSEMBLY



7569 TANK ASSEMBLY, CLIMB-DIVE
 7570 TANK ASSEMBLY, AIR SPEED

8580 Throttle Assembly

(This Assembly supersedes Assembly No. 5425. Old and New Assemblies are not interchangeable unless furnished with the parts necessary for a changeover. These are contained in Group No. 90014.)

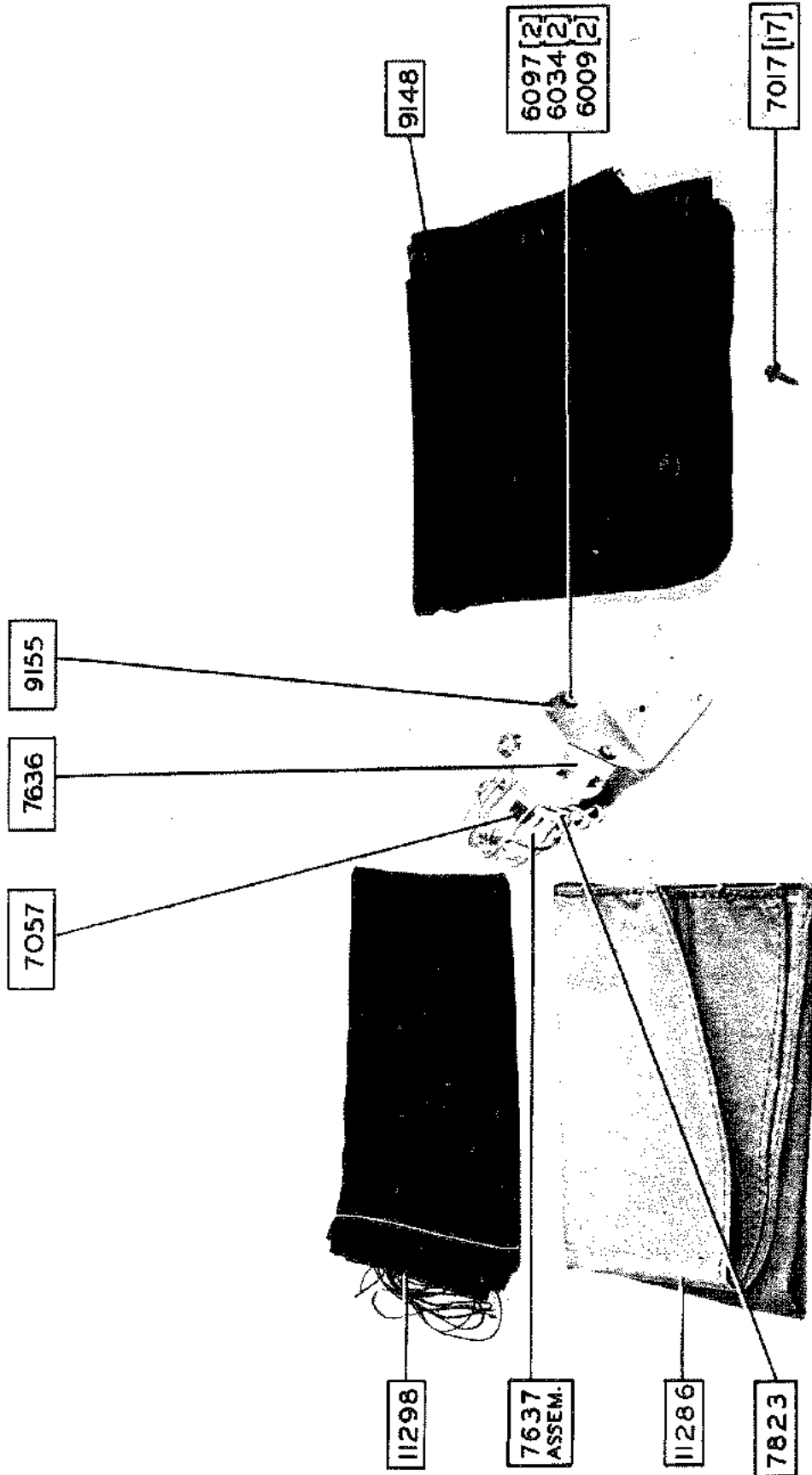
Part No.	Nomenclature
6013	Screw, R.H.I.W. #10 x 2" Cad. Plt.
8574	Cover, Throttle
8575	Lever and Knob Retainer Assembly, Throttle
8576	Bearing, Washer (Throttle Assembly)
8577	Screw, Throttle Lever Pivot
8609	Knob, Throttle
8669	Spring, Throttle

7569 Tank Assembly, Climb-Dive

Part No.	Nomenclature
7045	Connection, 1/4" Compression
7569	Tank Assembly, Climb-Dive

7570 Tank Assembly, Air Speed

Part No.	Nomenclature
6059	Nut, Hexagon Iron #10-32 x 3/8" x 1/8" Cad. Plt.
6219	Screw, R.H.I.M. #10-32 x 1-1/4" Cad. Plt.
7046	Connection, 3/16" Compression
7570	Tank Assembly, Air Speed
7675	Bracket Assembly, Air Speed Tank
11114	Filter Assembly, Air Speed Air



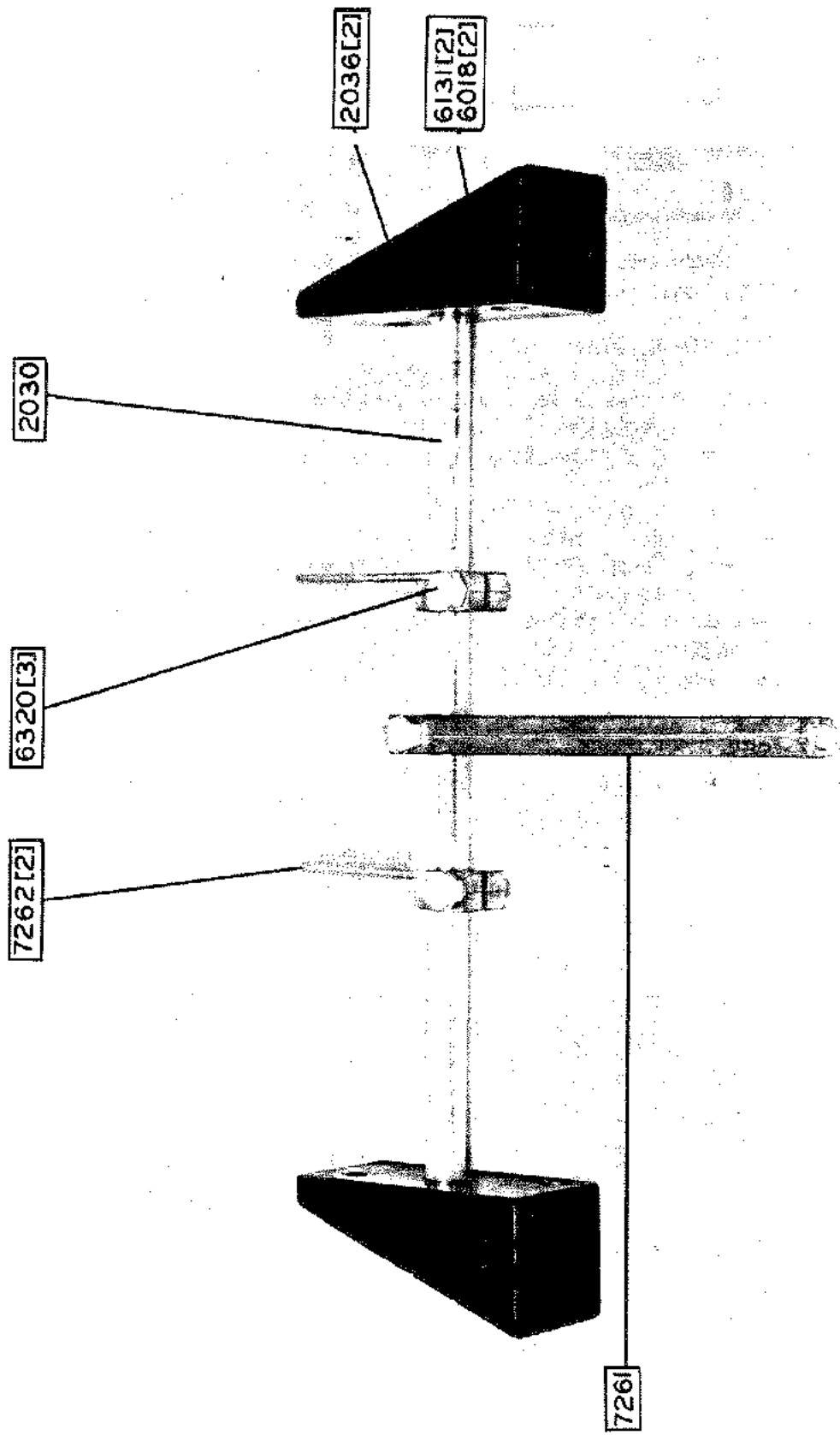
CLIMB-DIVE TANK PROTECTIVE SACK AND
APRON, OCTAGON SKIRT AND PITOT LAMP

Climb-Dive Tank Protective Sack & Apron

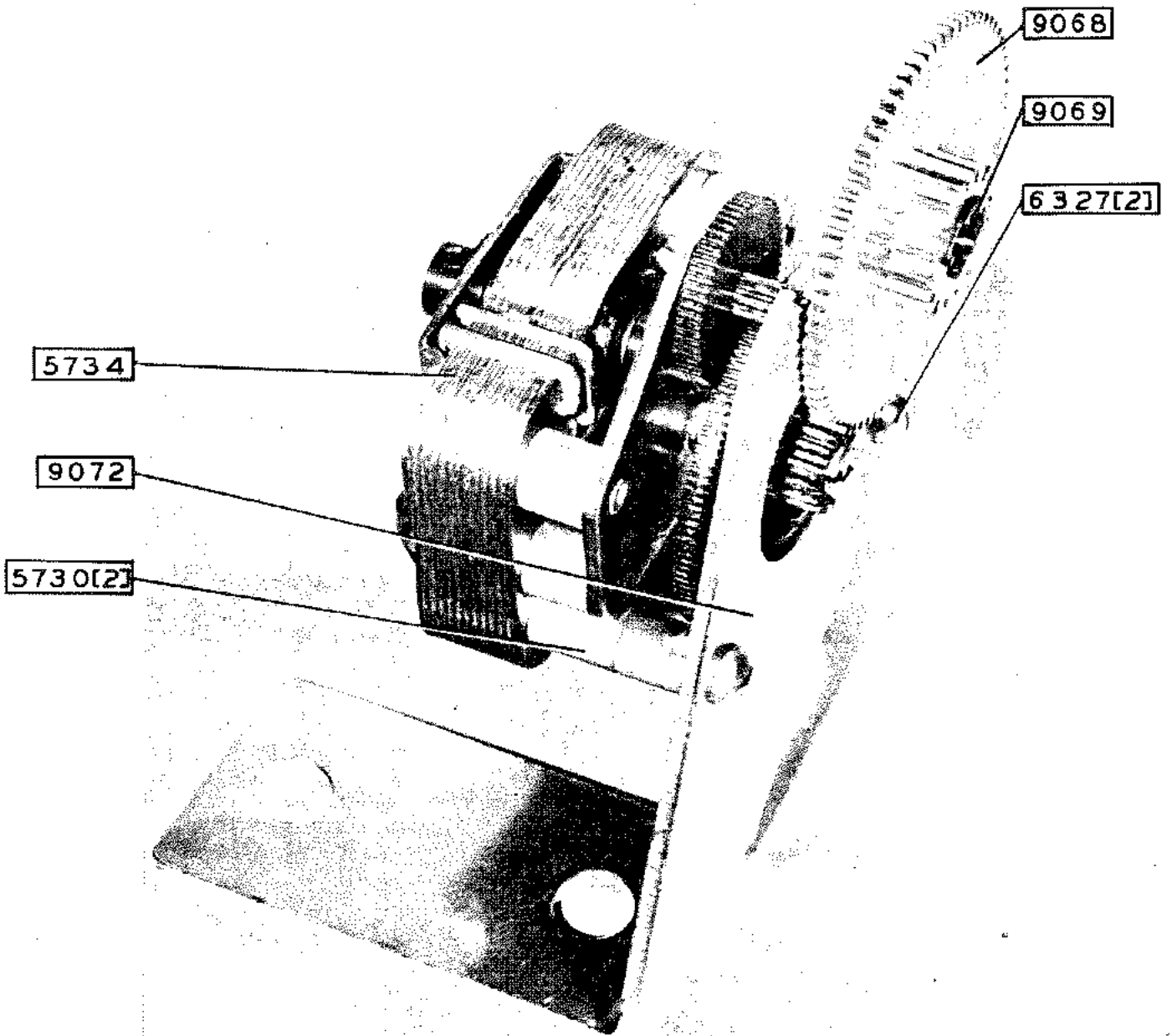
Octagon Skirt and Pitot Lamp

(Used on Trainer Models as Indicated Below)

Part No.	Nomenclature
6009	Nut, Hexagon Iron #8-32 x 11/32" x 1/8" Cad. Plt.
6034	Screw, H.H.I.C. #1/4-28 x 3/4" Cad. Plt.
6097	Screw, R.H.I.M. #8-32 x 5/8" Cad. Plt.
7017	Screw, Octagon Skirt
7057	Lamp, 1 Watt 105-125-V-AC-DC
7636	Socket, Pitot, Heater Indicator Lamp
7637	Socket Assembly, Pitot Heater Indicator Lamp (Used on C-3 and AN-2550-1 Trainer Models)
7823	Guard, Lamp
9148	Skirt Assembly, Octagon (Used on all Trainer Models)
9155	Bracket, Lamp Holder
11286	Apron, Glass Jar (Used on AN-2550-1 Trainer Models)
11298	Sack Assembly, Glass Jar Protector (Used on AN-2550-1 Trainer Models)



ELEVATOR WALKING BEAM ASSEMBLY



9073 MOTOR ASSEMBLY, ROUGH AIR

Elevator Walking Beam Assembly

(Used on all Trainer Models)

Part No.	Nomenclature
2030	Shaft, Walking Beam
2036	Block, walking Beam Shaft Bearing
6018	Screw, R.H.I.W. #8 x 1 3/4" Cad.Plt.
6131	Screw, R.H.I.W. #8 x 1" Cad.Plt.
6320	Screw, H.H.I.Cap #1/4"-28 x 1 " Cad.Plt.
7261	Beam, Walking
7262	Arm, Walking Beam Extension

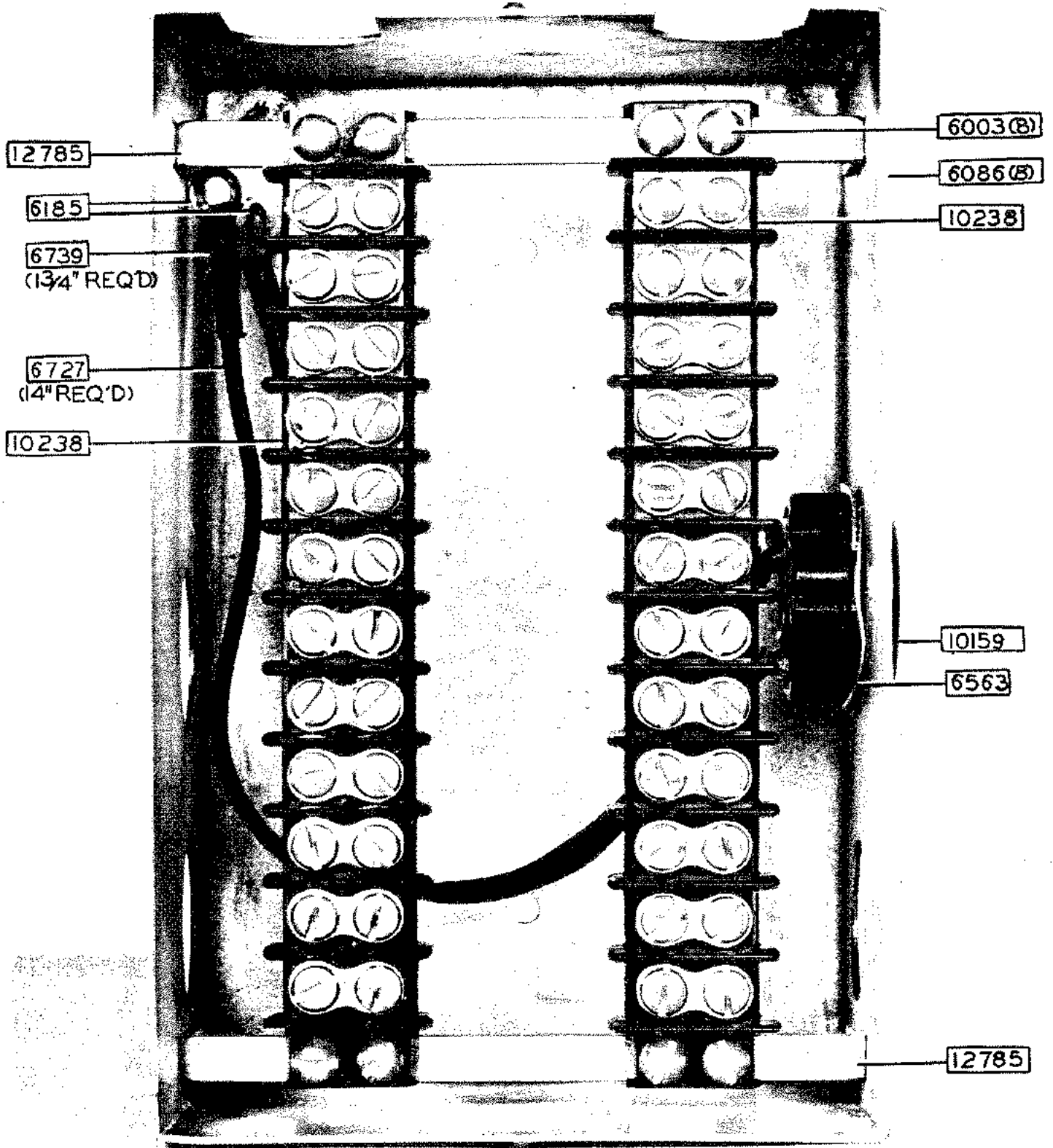
9073 Motor Assembly, Rough Air

(This Assembly supersedes No.C-2120-A for all Trainer Models. It is not interchangeable unless the parts necessary for a changeover are also furnished. These are contained in Group No.90004.)

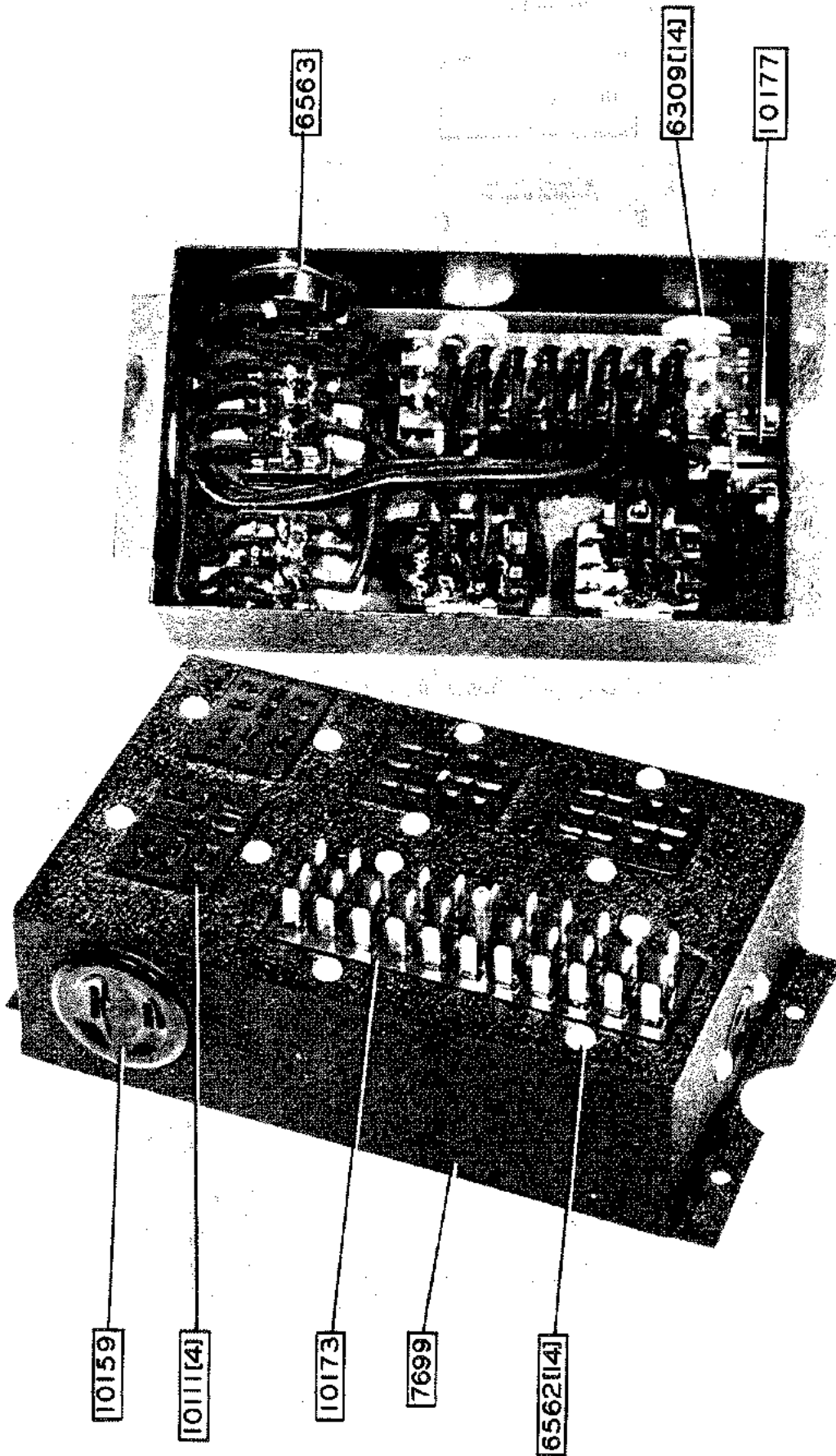
Part No.	Nomenclature
5730	Spacer, Motor
5734	Motor, Keyer Chassis 110 Volt, 50-60 Cycles
6327	Screw, R.H.I.M. #10-32 x 3/4" Cad.Plt.
9068	Gear Assembly, Rough Air Intermediate Drive
9069	Clip, Spring (.125" x .020")
9072	Bracket Assembly, Rough Air Motor Mt'g

Mountings for this Assembly on Fuselage Floor

6094	Screw, R.H.I.M. 1/4"-20 x 2 1/4" Cad.Plt.
6198	Washer, 9/32" x 5/8" x .041" Steel Cad.Plt.
6921	Nut, Hexagon Iron 1/4"-20 x 7/16" x 5/32" Cad.Plt.



12782 BOX ASSEMBLY, C-3 FUSELAGE INTERCONNECTOR



7800 BOX ASSEMBLY, INTERCONNECTOR

12782 Box Assembly, C-3 Fuselage Interconnector

(Used on all Trainers except C-5 and AN 2550-1 Models)

Part No.	Nomenclature
6003	Screw, R.H.I.M. #6-32 x 3/8" Cad. Plt.
6086	Screw, R.H.I.M. #6-32 x 3/16" Cad. Plt.
6185	Terminal, Solder Lug #1, #8 Hole
6563	Retainer, Tube Socket
6727	Wire, #18 Gauge-Black Flexible Fixture
6739	Tubing, Saturated Sleeving .115"-.105" I.D.
10159	Receptacle, Female
10238	Strip, 12 Terminal
12785	Bracket, Fuselage Inter. Box-C-3

Mountings for this Assembly on Fuselage Floor

6146 Screw, R.H.I.W. #6 x 3/4" Cad. Plt.

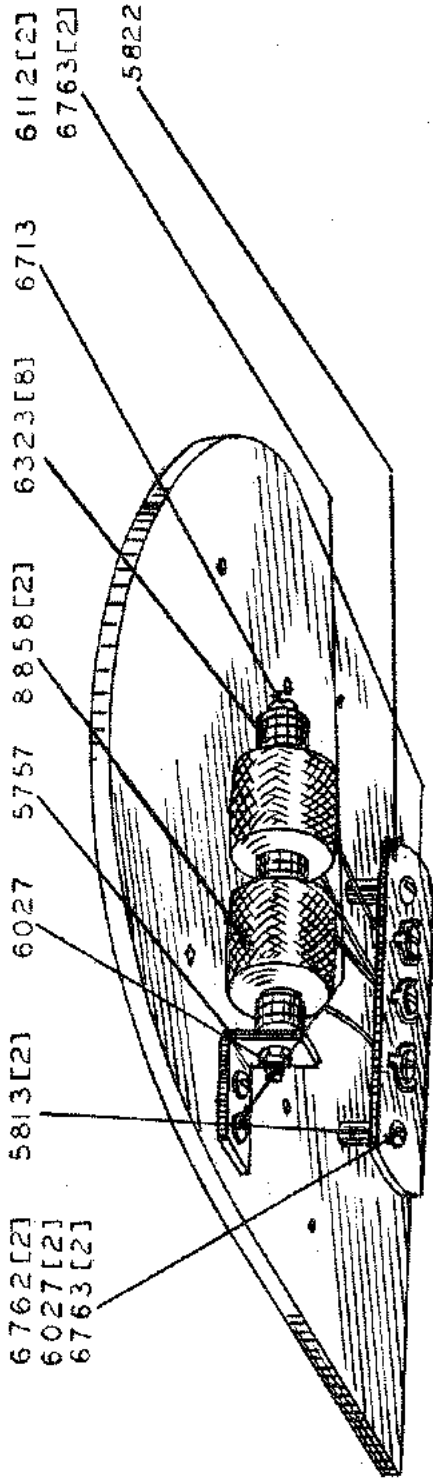
7800 Box Assembly, Interconnector

(Used on AN 2550-1 Trainer Models)

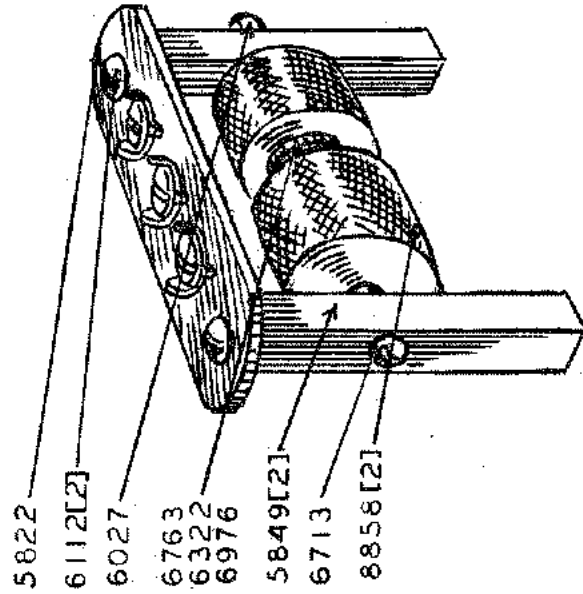
Part No.	Nomenclature
6309	Nut, Hexagon Brass #6-32 x 1/4 x 3/32 Cad. Plt.
6562	Screw, F.H.I.M. #6-32 x 1/4" Cad. Plt.
6563	Retainer, Tube Socket
7699	Box, Interconnector
10111	Connector, 12 Contact Chassis Type Socket
10159	Receptacle, Female
10173	Connector, 33 Contact Chassis Type Plug
10177	Connector, 2 Contact Chassis Type Socket

Mountings for this Assembly on Fuselage Floor

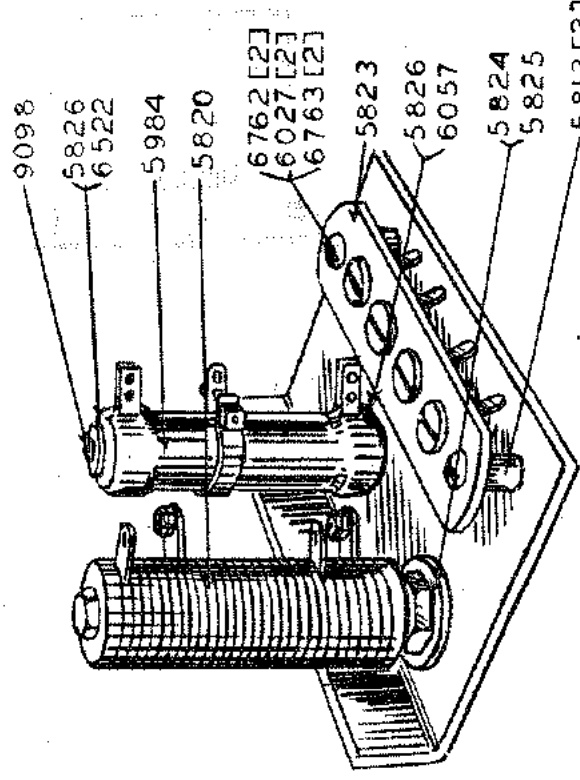
6146 Screw, R.H.I.W. #6 x 3/4" Cad. Plt.
7799 Bracket, Interconnector Box



9633 DEFLECTOR ASSEM, ENGLISH "D" COMPASS



5851 DEFLECTOR ASSEM.



5760 RECTIFIER ASSEM,
COMPASS DEFLECTOR

9633 Deflector Assembly, English "D" Compass

(Used on D1, D2 Trainer Models)

Part No.	Nomenclature
5757	Bracket, Solenoid Mounting
5813	Spacer, .186" Hole x .032" Wall x .510"-.490" Long
5822	Strip, Compass Def. Solenoid Ter.
6027	Nut, Hexagon Brass #6-32 x 5/16" x 7/64" Bright Dip
6112	Screw, R.H.B.M. #6-32 x 1/4" Bright Dip
6323	Washer, .190"-.188" x 3/8" x .064"-.060" Brass
6713	Screw, R.H.B.M. #6-32 x 2 1/2" Bright Dip
6762	Screw, R.H.B.M. #6-32 x 7/8" Cad. Plt.
6763	Washer, 5/32" x 7/16" O.D. x .049" Brass
8858	Solenoid, Compass Deflector

Mountings for this Assembly on Instrument Panel

8906 Screw, Solenoid Mounting

5851 Deflector Assembly

(Used on C, C2, C3, C5, D, E, Esp, E1, E2,
AN 2550-1 Trainer Models)

Part No.	Nomenclature
5822	Strip, Compass Def. Solenoid Ter.
5849	Post, Standard "C" and "D" Compass Deflector Mounting
6027	Nut, Hexagon Brass #6-32 x 5/16" x 7/64" Bright Dip
6112	Screw, R.H.B.M. #6-32 x 1/4" Bright Dip
6322	Washer, Plain 3/16" x 3/8" x 1/64" Brass
6713	Screw, R.H.B.M. #6-32 x 2 1/2" Bright Dip
6763	Washer, 5/32" x 7/16" O.D. x .049" Brass
6976	Washer, .171"-.169" x 7/16" x 1/32" Brass
8858	Solenoid, Compass Deflector

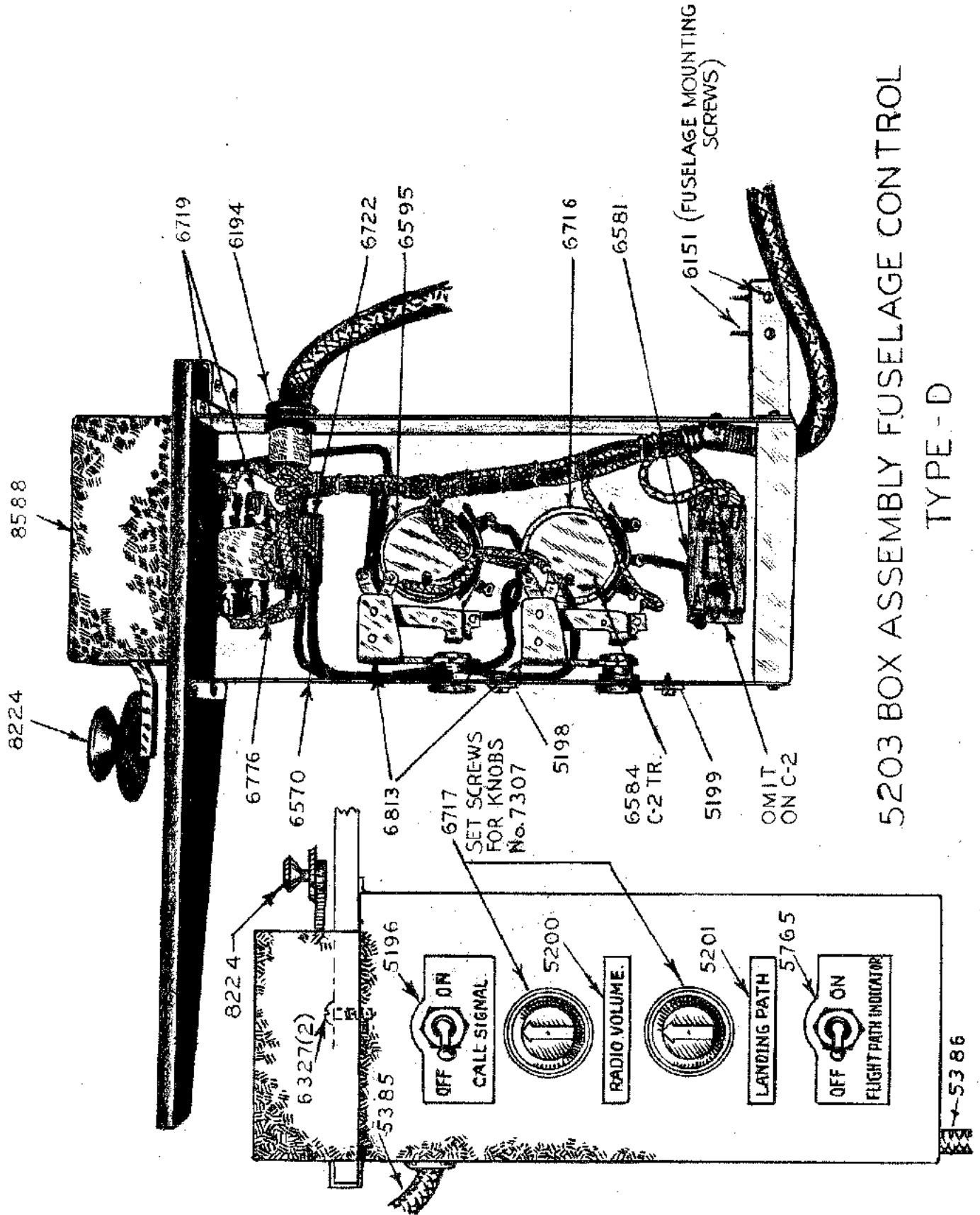
Mountings for this Assembly on Instrument Panel

8908 Screw, Compass Deflector Mounting

5760 Rectifier Assembly, Compass Deflector

(This Assembly was used on C, C2, D, D1, D2, E, Esp. Trainer Models. It has been discontinued as an Assembly and the parts are now located in the Fuselage Control Box in all Trainers).

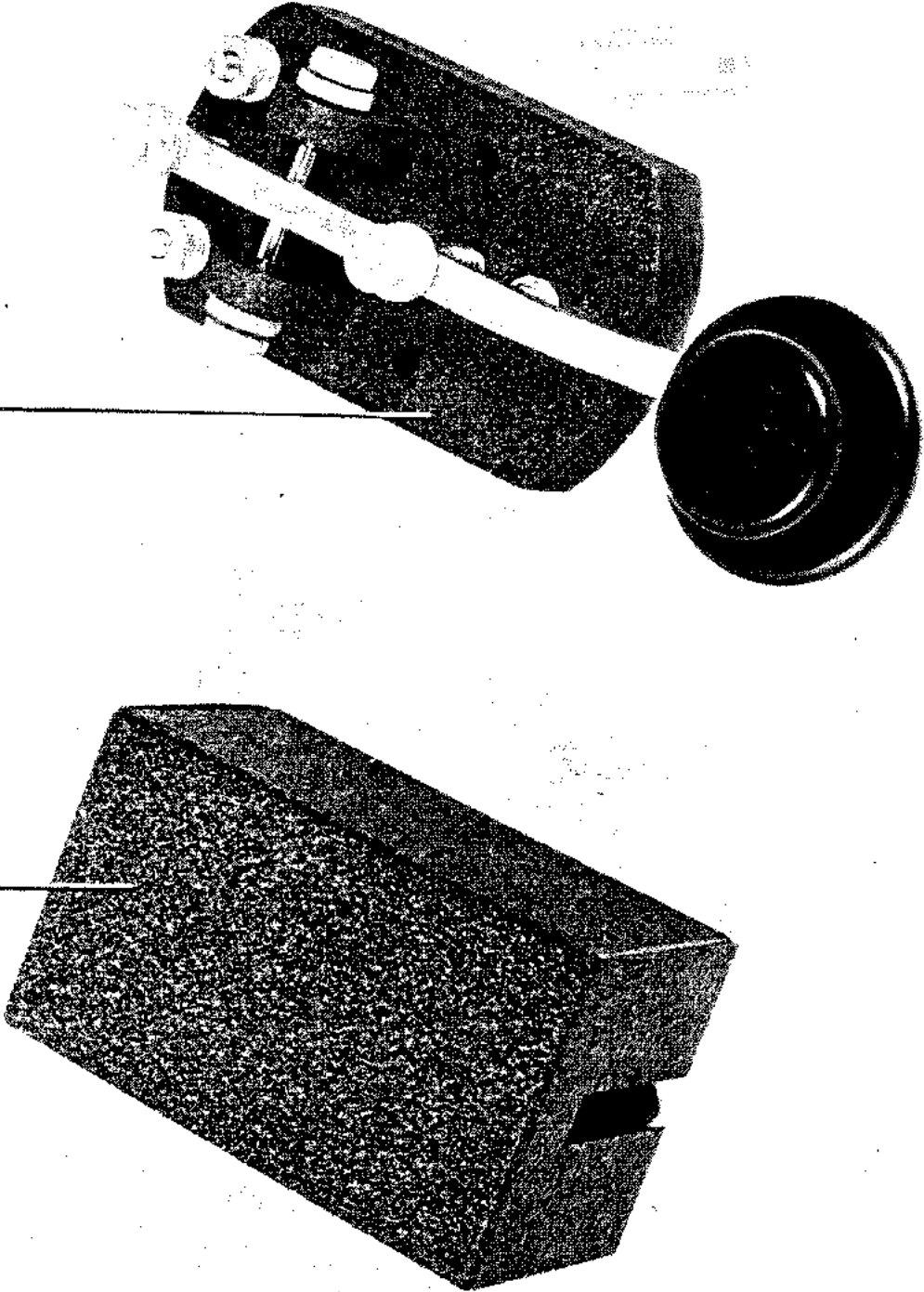
Part No.	Nomenclature
5813	Spacer, .186" Hole x .032" Wall x .510"-.490" Long
5820	Rectifier, Compass Deflector
5823	Terminal Strip, 4-Terminals
5824	Washer, Fibre
5825	Washer, Fibre, 7/16" Dia. Shoulder
5826	Washer, Fibre, 5/16" Dia. Shoulder
5984	Resistor, Wire Wound (Adjustable) 150 Ohms-25 Watts
6027	Nut, Hexagon Brass #6-32 x 5/16" x 7/64" Bright Dip
6057	Nut, Hexagon Iron #6-32 x 5/16" x 7/64" Cad. Plt.
6522	Washer, 5/32" x 7/16" x .049" Steel Cad. Plt.
6762	Screw, R.H.B.M. #6-32 x 7/8" Cad. Plt.
6763	Washer, 5/32" x 7/16" O.D. x .049" Brass
9098	Screw, R.H.I.M. #6-32 x 2 1/2" Painted
	Mountings for this Assembly on Instrument Panel
6335	Washer, #10 Internal Teeth Lock
6605	Nut, Hexagon Brass #10-32 x 3/8" x 1/8" Cad. Plt.
8910	Screw, Vibrator Motor and Rectifier Bracket Mounting



5203 BOX ASSEMBLY FUSELAGE CONTROL
TYPE - D

8 2 2 4

8 5 8 8



8 2 2 4 K E Y A S S E M B L Y , T R A N S M I T T I N G

5203 Box Assembly, Fuselage Control Type-D

(This assembly was used on D, D-1 and D-2 Trainer Models. It is now obsolete and superseded by Assembly No. 9611 for these Trainers. Old and new assemblies are not interchangeable as units.)

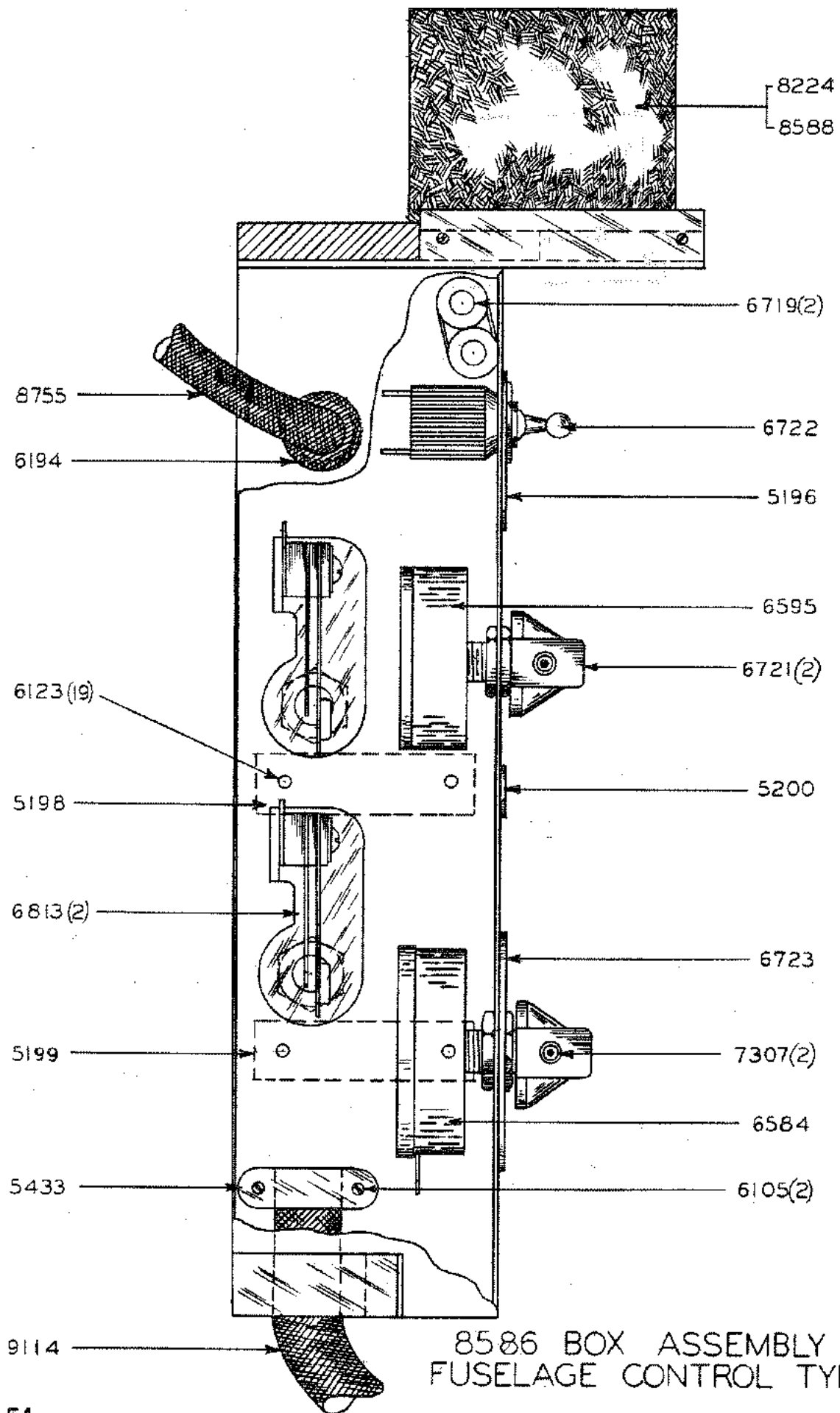
Part No.	Nomenclature
5196	Plate, Call Signal Switch
5198	Plate, Microphone-Jack
5199	Plate, Phones-Jack
5200	Plate, Radio Volume Control
5201	Plate, Landing Path Control
*5385	Cable Assembly, Flight Path Instrument Panel
*5386	Cable Assembly, Fuselage Control Box to Floor Terminal Block D-E
5765	Plate, Flight Path Indicator Control
6151	Screw, R.H.I.W. #6 x 1/2" Cad. Plt.
6194	Grommet, Rubber 3/8" I.D. x 9/16" O.D.
6327	Screw, R.H.I.M. #10-32 x 3/4" Cad. Plt.
6570	Wire, #20 Waxed Hook-Up
6581	Switch, Power
6584	Potentiometer, Wirewound 1500 Ohms
6595	Potentiometer, 50,000 Ohms
6716	Potentiometer, 25,000 Ohms
6717	Knob, Control 1-1/2" Round
6719	Resistor, 400 Ohms, 10 Watt Wirewound
6722	Switch, Toggle D.P.D.T.
6776	Tubing (Saturated Sleeving)
6813	Jack, 3 Circuit Microphone
7307	Screw, Slotted Headless I. Set #8-32 x 3/8" Cup Point
8224	Key Assembly, Transmitting
8588	Cover, Transmitting Key

8224 Key Assembly, Transmitting

(Used on C, C2, D, D1, D2, E, Esp., E1, E2 Trainer Models)

Part No.	Nomenclature
8224	Key Assembly, Transmitting
8588	Cover, Transmitting Key

*Note: Parts marked with an asterisk are obsolete. They are either available for service or a substitution of recent design may be made.



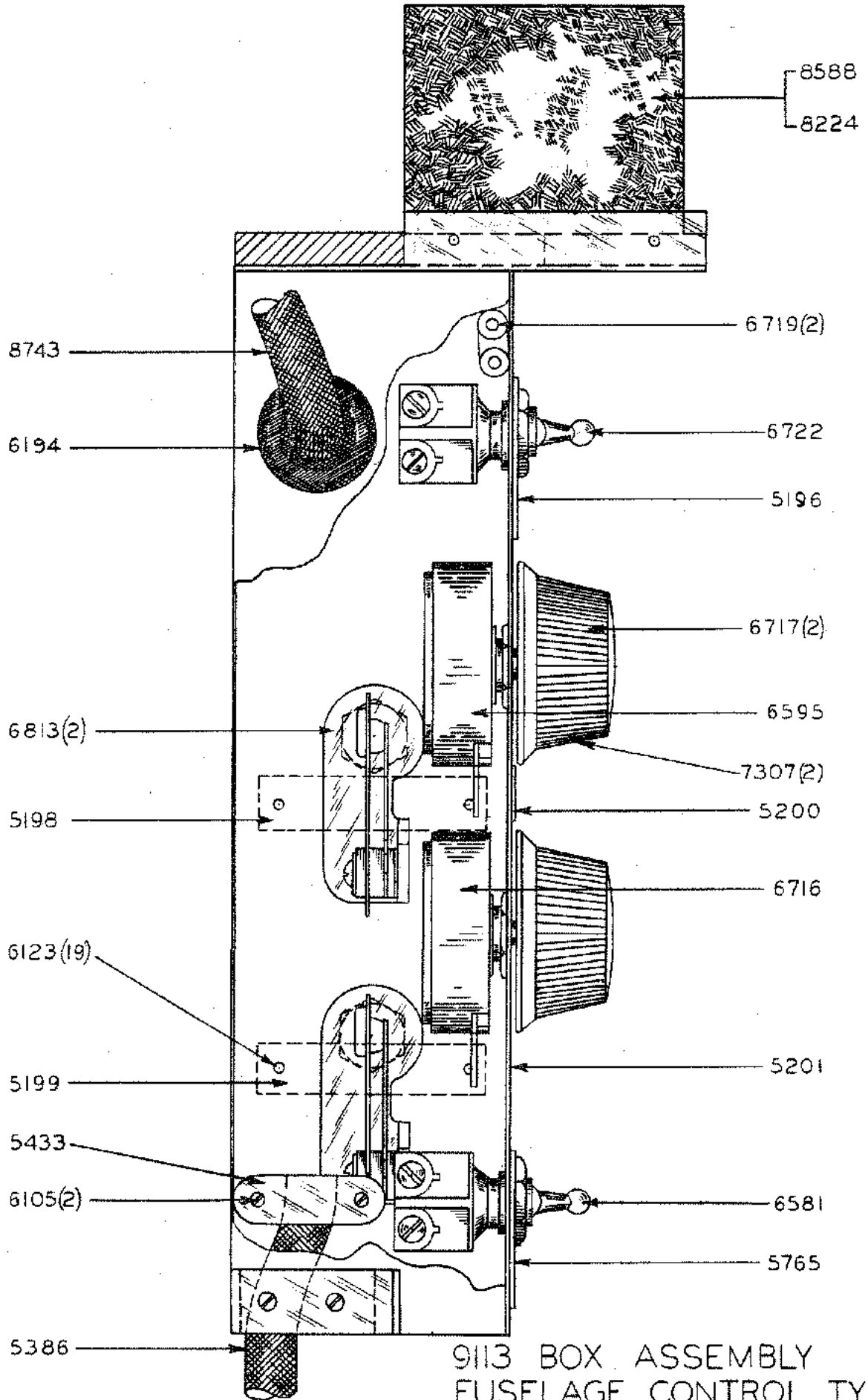
8586 BOX ASSEMBLY
FUSELAGE CONTROL TYPE-C-2

8586 Box Assembly, Fuselage Control Type C-2

(This Assembly was used on C2 Trainer Models. It is now obsolete and superseded by Assembly No. 9610. Old and new assemblies are not interchangeable.)

Part No.	Nomenclature
5196	Plate, Call Signal Switch
5198	Plate, Microphone-Jack
5199	Plate, Phones-Jack
5200	Plate, Radio Volume Control
5433	Clip, Fuselage Control Box Cable
6105	Screw, R.H.I.M. #2-56 x 1/4" Cad. Plt.
6123	Screw, Binding Head Type "Z" #2 x 3/16" Nickel
6194	Grommet, Rubber 3/8" I.D. x 9/16" O.D.
6584	Potentiometer, Wire Wound 1500 Ohms
6595	Potentiometer, 50,000 Ohms
6719	Resistor, 400 Ohms, 10 Watt Wirewound
6721	Knob, Control 19/32" High x 1-1/4" Long
6722	Switch, Toggle D.P.D.T.
6723	Plate, Volume Name
6813	Jack, 3 Circuit Microphone
7307	Screw, Slotted Headless I. Set #8-32 x 3/8" Cup Point
8224	Key Assembly, Transmitting
8588	Cover, Transmitting Key
*8755	Cable Assembly, Fuselage Control Box To Instrument Panel Receptacle
*9114	Cable Assembly, Fuselage Control Box To Floor Terminal Block C-2
Mountings for this Assembly on Fuselage Side	
6151	Screw, R.H.I.W. #6x 1/2" Cad. Plt.
6349	Screw, Parker-Kalon Type "Z" B.H.I. Self Tapping #2 x 1/4" Cad. Plt.

*Note: Parts marked with an asterisk are obsolete. They are either available for service or a substitution of recent design may be made.

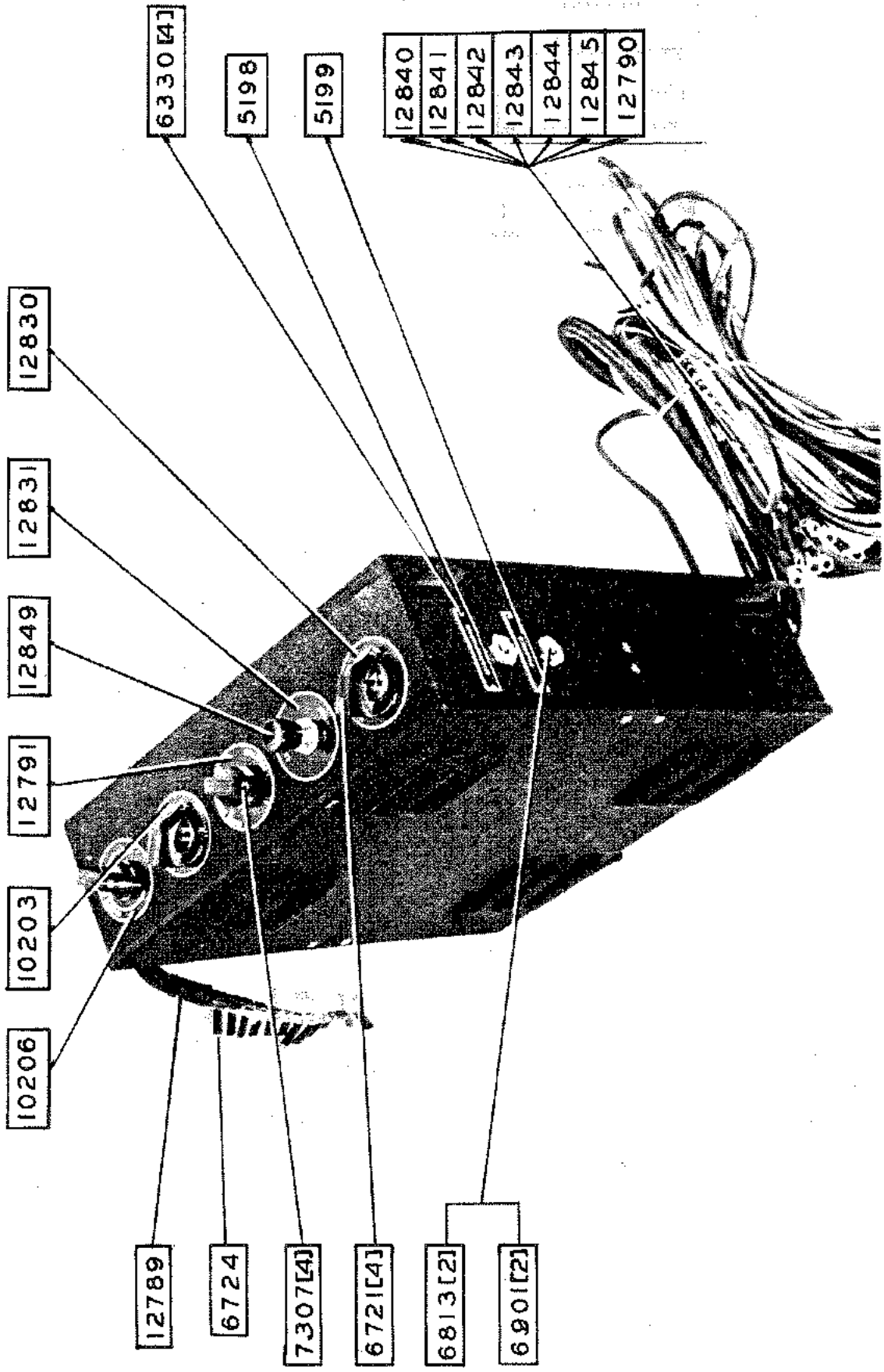


9113 Box Assembly, Fuselage Control Type E

(This Assembly was used on E, Esp Trainer Models.
It is now obsolete and superseded by Assembly No.
9609. Old and new assemblies are not interchangeable.)

Part No.	Nomenclature
5196	Plate, Call Signal Switch
5198	Plate, Microphone-Jack
5199	Plate, Phones-Jack
5200	Plate, Radio Volume Control
5201	Plate, Landing Path Control
*5386	Cable Assembly, Fuselage Control Box to Floor Terminal Block D-E
5433	Clip, Fuselage Control Box Cable
5765	Plate, Flight Path Indicator Control
6105	Screw, R.H.I.M. #2-56 x 1/4" Cad. Plt.
6123	Screw, Binding Head Type "Z" #2 x 3/16" Nickel
6194	Grommet, Rubber 3/8" I.D. x 9/16" O.D.
6581	Switch, Power
6595	Potentiometer, 50,000 Ohms
6716	Potentiometer, 25,000 Ohms
6717	Knob, Control 1-1/2" Round
6719	Resistor, 400 Ohms, 10 Watt Wire Wound
6722	Switch, Toggle D.P.D.T.
6813	Jack, 3 Circuit Microphone
7307	Screw, Slotted Headless I. Set #8-32 x 3/8" Cup Point
8224	Key Assembly, Transmitting
8588	Cover, Transmitting Key
8743	Cable Assembly, Fuselage Control Box to Instrument Panel Type "E"
Mountings for this Assembly on Fuselage Side	
6151	Screw, R.H.I.W. #6 x 1/2" Cad. Plt.
6349	Screw, Parker-Kalon Type "Z" B.H.I. #2 x 1/4" Cad. Plt.

*Note: Parts marked with an asterisk are obsolete. They are either available for service or a substitution of recent design may be made.



12858 BOX ASSEMBLY, FUSELAGE CONTROL C-3

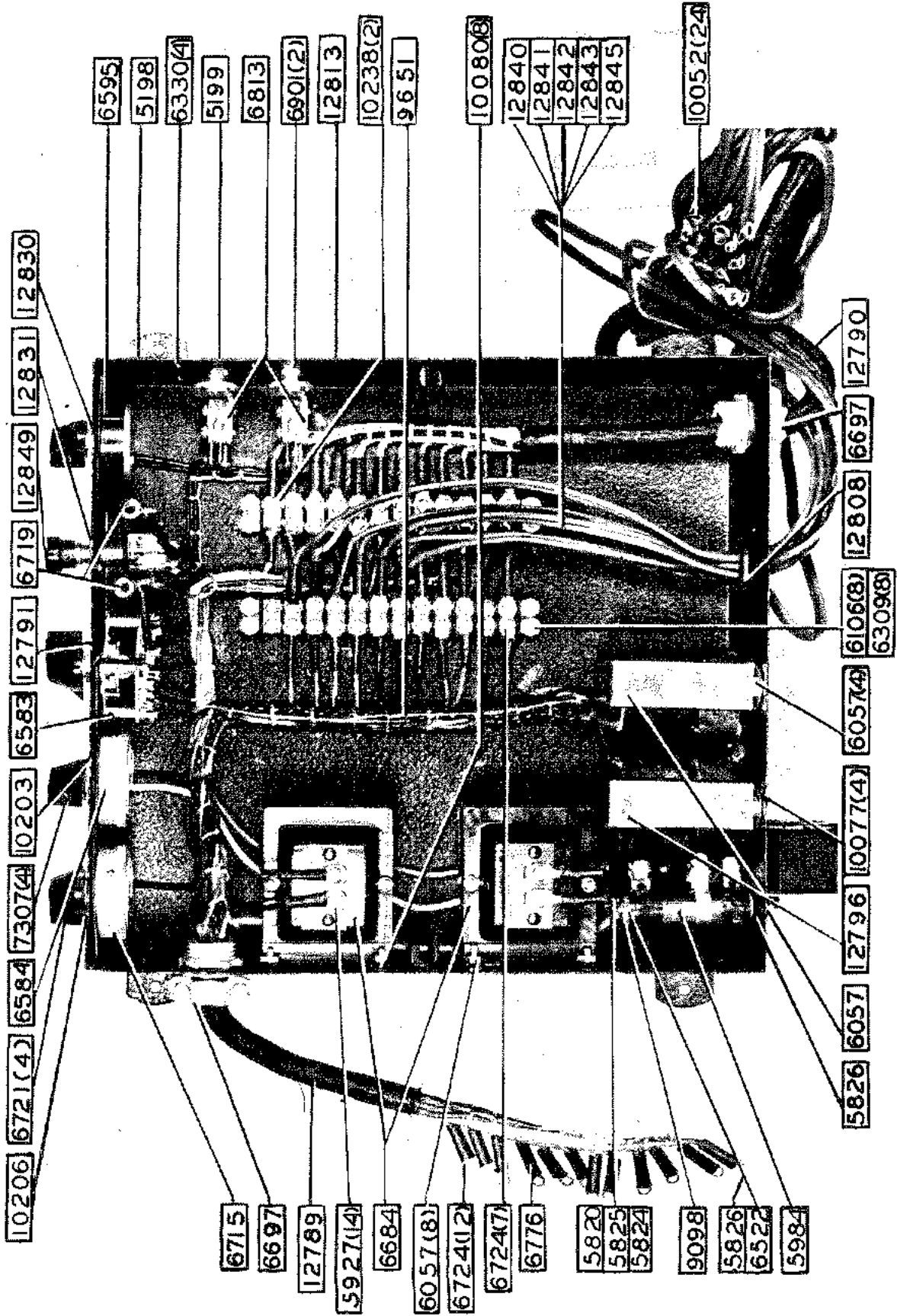
12858 Box Assembly, Fuselage Control C-3

(Used on C3 Trainer Models)

Part No.	Nomenclature
5198	Plate, Microphone-Jack
5199	Plate, Phones-Jack
6330	Screw, Parker-Kalon Type U-I Drive #00 x 1/8" Nickel
6721	Knob, Control 19/32" High x 1.1/4" Long
6724	Terminal, Solder Lug Flat Type-#6 Hole
6813	Jack, 3 Circuit Microphone
6901	Nut, Double Chamfer; #3/8"-32 x 9/16" x 3/32", Hex. Cad. Plt.
7307	Screw, Slotted Headless I. Set #8-32 x 3/8" Cup Point
10203	Plate, Radio Compass Sensitivity
10206	Plate, Cockpit Lighting
12789	Cable Assembly, Instrument Panel to Fuselage Cont. Box-C-3
12790	Cable Assembly, Fuselage Control to Interconnector Box-C-3
12791	Plate, Station Selector
12830	Plate, Radio Volume
12831	Plate, Call Switch
12840	Cable Assembly, Fluorescent Inst. Light-Right-C-3
12841	Cable Assembly, Fluorescent Inst. Light-Left-C-3
12842	Cable Assembly, Rudder Valve C-3
12843	Cable Assembly, Pitot Tube Heater C-3
12844	Cable Assembly, Remote Instrument Light; Right C3
12845	Cable Assembly, Remote Instrument Light; Left C-3
12849	Switch, D.P.D.T. Push Button

Mountings for this Assembly on Fuselage Side

6297	Screw, R.H.I.W. #6 x 5/8" Cad.Plt.
------	------------------------------------

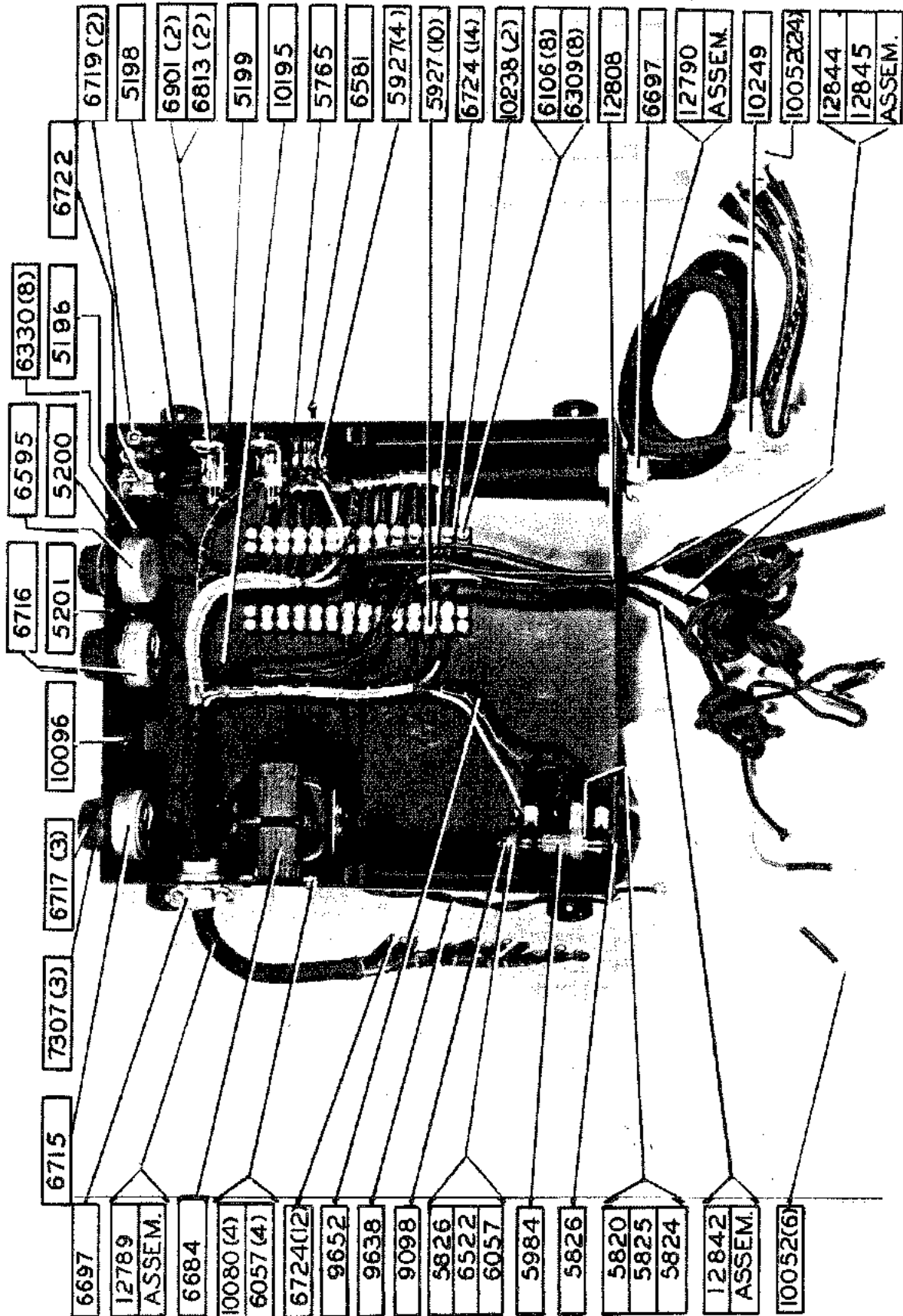


12858 BOX ASSEMBLY, FUSELAGE CONTROL C-3

12858 Box Assembly, Fuselage Control C-3

(Used on C3 Trainer Models)

Part No.	Nomenclature
5198	Plate, Microphone-Jack
5199	Plate, Phones-Jack
5820	Rectifier, Compass Deflector
5824	Washer, Fibre
5825	Washer, Fibre, 7/16" Dia. Shoulder
5826	Washer, Fibre, 5/16" Dia. Shoulder
5927	Terminal, Solder Lug #1-#6 Hole
5934	Resistor, Wire Wound (Adjustable) 150 Ohms-25 Watts
6057	Nut, Hexagon Iron #6-32 x 5/16" x 7/64" Cad. Plt.
6106	Screw, R.H.I.M. #6-32 x 1/2" Cad. Plt.
6309	Nut, Hexagon Brass #6-32 x 1/4" x 3/32" Cad. Plt.
6330	Screw, Parker-Kalon Type U-I Drive #00 x 1/8" Nickel
6522	Washer, 5/32" x 7/16" x .049" Steel Cad. Plt.
6583	Switch, Selector 3 Circuits-One Section
6584	Potentiometer, Wirewound 1500 Ohms
6595	Potentiometer, 50,000 Ohms
6684	Transformer, Instrument Lights
6697	Connector, Universal Conduit
6715	Potentiometer, Wirewound-30 Ohms
6719	Resistor, 400 Ohms, 10 Watt Wirewound
6721	Knob, Control 19/32 " High x 1 1/4" Long
6724	Terminal, Solder Lug Flat Type-#6 Hole
6776	Tubing (Saturated Sleeving)
6813	Jack, 3 Circuit Microphone
6901	Nut, Double Chamfer #3/8"-32 x 9/16" x 3/32" Hex. Cad. Plt.
7307	Screw, Slotted Headless I. Set #8-32 x 3/8" Cup Point
9098	Screw, R.H.I.M. #6-32 x 2 1/2" Painted
9651	Cable Assembly, Type C-3 Fuselage Control Box
10052	Terminal, Solder Lug; Flat Type-#8 Hole
10077	Screw, R.H.I.M. #6-32 x 1/4" Parkerized
10080	Screw, R.H.I.M. #6-32 x 5/16" Painted
10203	Plate, Radio Compass Sensitivity
10206	Plate, Cockpit Lighting
10238	Strip, 12 Terminal
12789	Cable Assembly, Instrument Panel to Fuselage Cont. Box-C-3
12790	Cable Assembly, Fuselage Control to Interconnector Box-C-3
12791	Plate, Station Selector
12796	Transformer, Reactance
12808	Grommet, Rubber 1 1/3" O.D. x 5/8" I.D.
12813	Box and Cover, C-3 Fuselage Control
12830	Plate, Radio Volume
12831	Plate, Call Switch
12840	Cable Assembly, Fluorescent Inst. Light-Right-C-3
12841	Cable Assembly, Fluorescent Inst. Light-Left-C-3
12842	Cable Assembly, Rudder Valve C-3
12843	Cable Assembly, Pitot Tube Heater C-3
12845	Cable Assembly, Remote Instrument Light; Left C-3
12849	Switch, D.P.D.T. Push Button



9611 BOX ASSEMBLY, FUSELAGE TYPE D,D-I,D-2

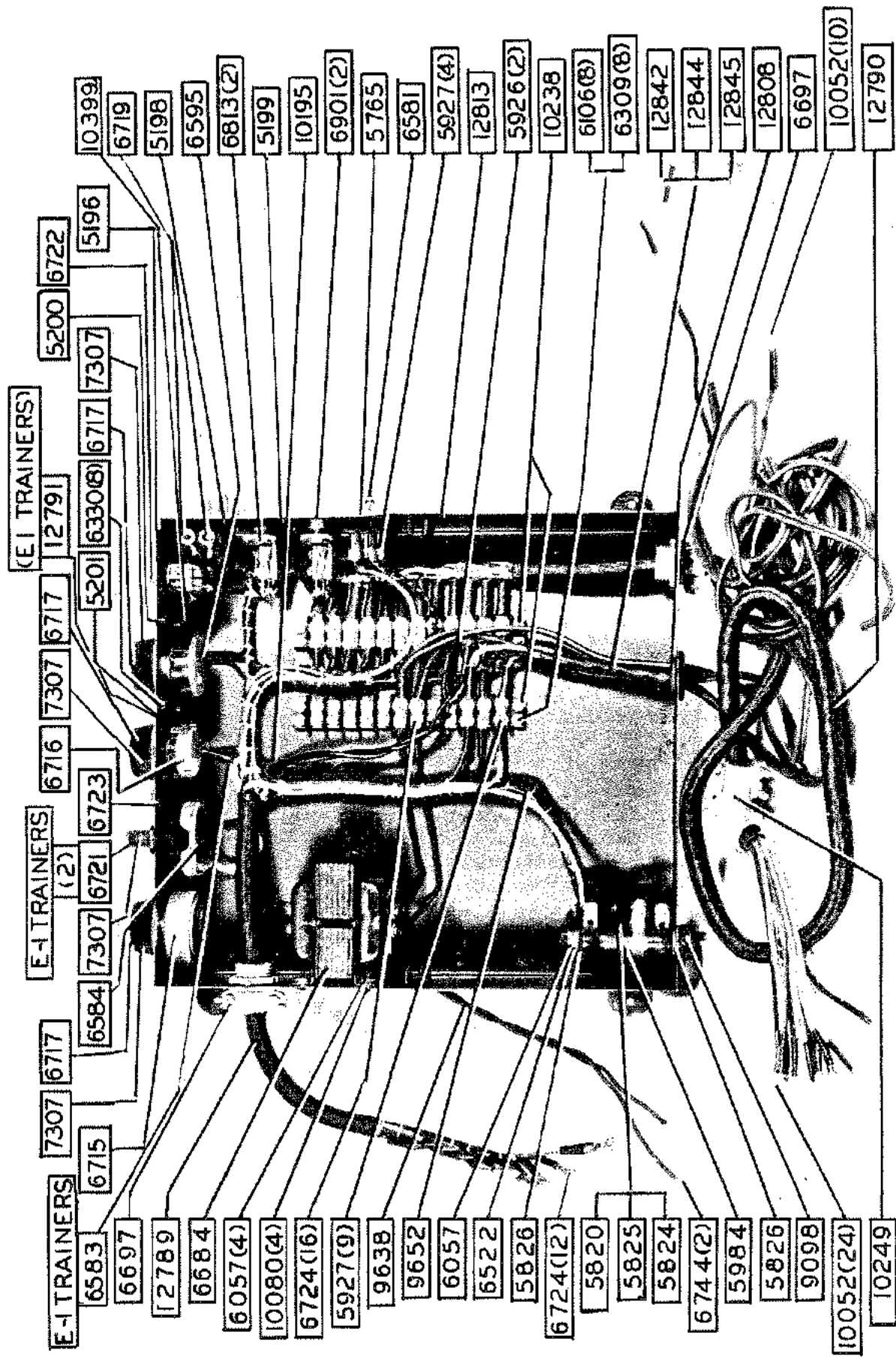
9611 Box Assembly, Fuselage Type D, D-1 & D-2

(This Assembly supersedes Assembly No. 5203 and is used on D, D1, D2 Trainer Models. Assembly No. 9611 is not interchangeable with Assembly No. 5203)

Part No.	Nomenclature
5196	Plate, Call Signal Switch
5198	Plate, Microphone-Jack
5199	Plate, Phones-Jack
5200	Plate, Radio Volume Control
5201	Plate, Landing Path Control
5765	Plate, Flightpath Indicator Control
6820	Rectifier, Compass Deflector
5824	Washer, Fibre
5825	Washer, Fibre, 7/16" Dia. Shoulder
5826	Washer, Fibre, 5/16" Dia. Shoulder
5927	Terminal, Solder Lug #1-#6 Hole
5984	Resistor, Wire Wound (Adjustable) 150 Ohms-25 Watts
6057	Nut, Hexagon Iron #6-32 x 5/16" x 7/64" Cad. Plt.
6106	Screw, R.H.I.M. #6-32 x 1/2" Cad. Plt.
6309	Nut, Hexagon Brass #6-32 x 1/4" x 3/32" Cad. Plt.
6330	Screw, Parker-Kalon Type U-I Drive #00 x 1/8" Nickel
6522	Washer, 5/32" x 7/16" x .049" Steel Cad. Plt.
6581	Switch, Power
6595	Potentiometer, 50,000 Ohms
6684	Transformer, Instrument Lights
6697	Connector, Universal Conduit
6715	Potentiometer, Wirewound-30 Ohms
6716	Potentiometer, 25,000 Ohms
6717	Knob, Control 1 1/2" Round
6719	Resistor, 400 Ohms, 10 Watt Wirewound
6722	Switch, Toggle D.P.D.T.
6724	Terminal, Solder Lug Flat Type-#6 Hole
6813	Jack, 3 Circuit Microphone
6901	Nut, Double Chamfer #3/8"-32 x 9/16" x 3/32" Hex.Cad.Plt.
7307	Screw, Slotted Headless I. Set #8-32 x 3/8" Cup Point
9098	Screw, R.H.I.M. #6-32 x 2 1/2" Painted
9638	Cable Assembly, Control Box to Key
9652	Cable Assembly, Fuselage Control Box Standard
10052	Terminal, Solder Lug; Flat Type-#8 Hole
10080	Screw, R.H.I.M. #6-32 x 5/16" Painted
10096	Button, 3/8" Dia. Hole
10195	Grommet, 1/4" I.D x 11/32" O.D. Rubber
10238	Strip, 12 Terminal
10249	Connector, Cable 90°
12789	Cable Assembly, Instrument Panel to Fuselage Cont. Box-C-3
12790	Cable Assembly, Fuselage Control to Interconnector Box-C-3
12808	Grommet, Rubber 1 1/8" O.D. x 5/8" I.D.
12842	Cable Assembly, Rudder Valve C-3

9611 Box Assembly, Fuselage Type D, D-1 & D-2 (Continued)

Part No.	Nomenclature
12844	Cable Assembly, Remote Instrument Light; Right C-3
12845	Cable Assembly, Remote Instrument Light; Left C-3
6297	Mountings for this Assembly on Fuselage Side Screw, R.H.I.W. #6 x 5/8" Cad. Plt.



9609 BOX ASSEMBLY, FUSELAGE TYPE E, E-SP

11117 BOX ASSEMBLY, FUSELAGE CONTROL TYPE "E-1"

9609 Box Assembly, Fuselage Type E, E-Sp

11117 Box Assembly, Fuselage Control Type "E-1"

(No. 9609 Assembly supersedes No. 9113 Assembly for E, Esp. Trainer Models. Old and new assemblies are not interchangeable.

No. 11117 is used on E1 Trainer Models.)

Part No.

Nomenclature

5196	Plate, Call Signal Switch
5198	Plate, Microphone-Jack
5199	Plate, Phones-Jack
5200	Plate, Radio Volume Control
5201	Plate, Landing Path Control
5765	Plate, Flight Path Indicator Control
5820	Rectifier, Compass Deflector
5824	Washer, Fibre
5825	Washer, Fibre, 7/16" Dia. Shoulder
5826	Washer, Fibre, 5/16" Dia. Shoulder
5926	Terminal, Solder Lug #2-#8 Hole
5927	Terminal, Solder Lug #1-#6 Hole
5984	Resistor, Wirewound (Adjustable) 150 Ohms-25 Watts
6057	Nut, Hexagon Iron #6-32 x 5/16" x 7/64" Cad. Plt.
6106	Screw, R.H.I.M. #6-32 x 1/2" Cad. Plt.
6309	Nut, Hexagon Brass #6-32 x 1/4" x 3/32" Cad. Plt.
6330	Screw, Parker-Kalon Type U-I Drive #00 x 1/8" Nickel
6522	Washer, 5/32" x 7/16" x .049" Steel Cad. Plt.
6581	Switch, Power
6583	Switch, Selector 3 Circuits-One Section
6584	Potentiometer, Wire Wound 1500 Ohms
6595	Potentiometer, 50,000 Ohms
6684	Transformer, Instrument Lights
6697	Connector, Universal Conduit
6715	Potentiometer, Wire Wound-30 Ohms
6716	Potentiometer, 25,000 Ohms
6717	Knob, Control 1-1/2" Round
6719	Resistor, 400 Ohms, 10 Watt Wirewound
6721	Knob, Control 19/32" High x 1-1/4" Long
6722	Switch, Toggle D.P.D.T.
6723	Plate, Volume Name
6724	Terminal, Solder Lug Flat Type-#6 Hole
6744	Clip, Terminal Bernard #81, 5/32 Hole
6813	Jack, 3 Circuit Microphone
6901	Nut, Double Chamfer #3/8"-32 x 9/16" x 3/32" Hex. Cad. Plt.
7307	Screw, Slotted Headless I. Set #8-32 x 3/8" Cup Point
9098	Screw, R.H.I.M. #6-32 x 2-1/2" Painted
9638	Cable Assembly, Control Box to Key

9609 Box Assembly, Fuselage Type E, E-Sp (Continued)

11117 Box Assembly, Fuselage Control Type "E-1" (Continued)

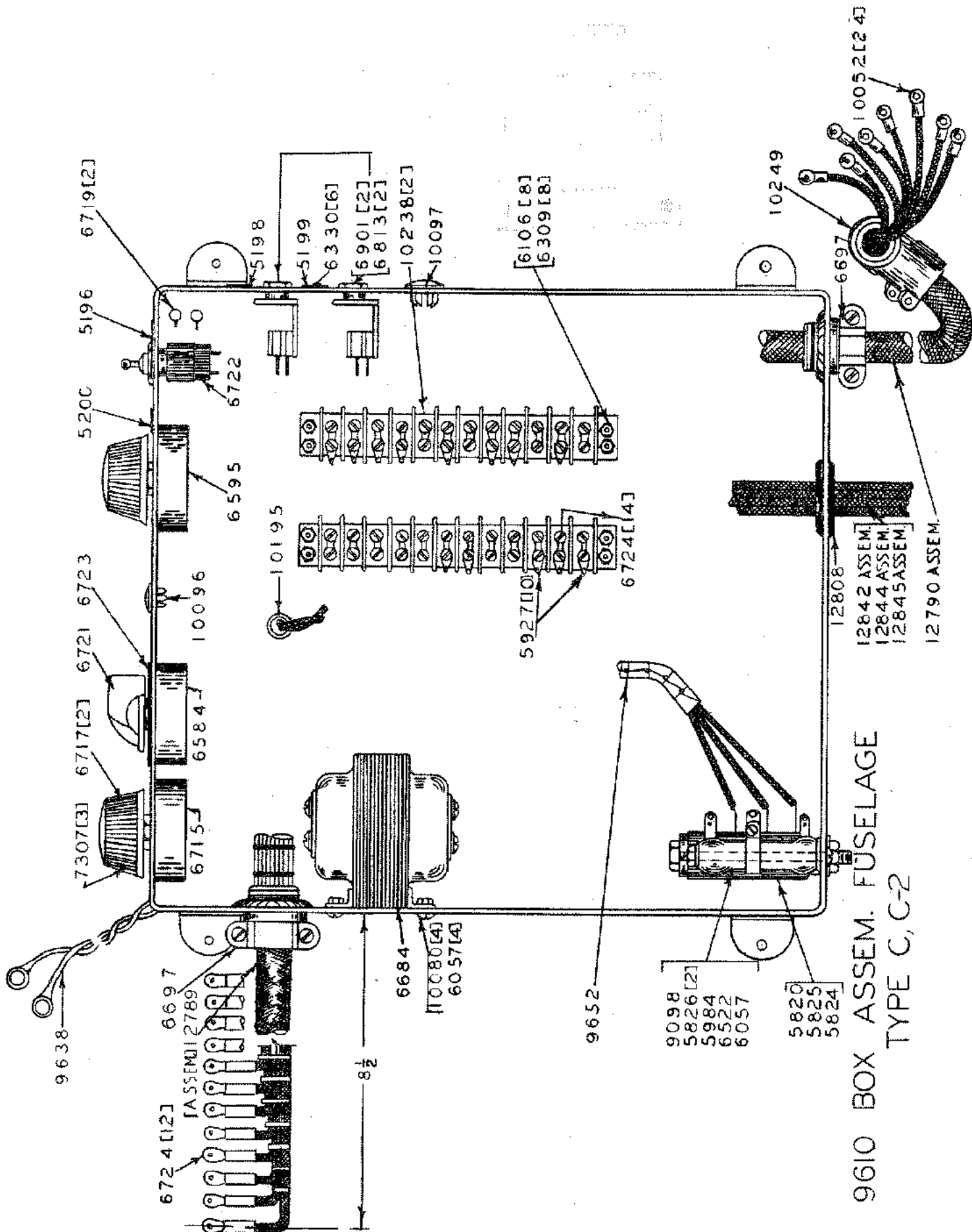
Part No.

Nomenclature

9652 Cable Assembly, Fuselage Control Box Standard
10052 Terminal, Solder Lug; Flat Type-#8 Hole
10080 Screw, R.H.I.M. #6-32 x 5/16" Painted
10195 Grommet, 1/4" I.D. x 11/32" O.D.; Rubber
10238 Strip, 12 Terminal
10249 Connector, Cable 90°
10399 Resistor, Wire Wound 25 Ohms-1/2 Watt
12789 Cable Assembly, Instrument Panel to Fuselage Cont. Box-C-3
12790 Cable Assembly, Fuselage Control to Interconnector Box-C-3
12791 Plate, Station Selector
12808 Grommet, Rubber 1-1/8" O.D. x 5/8" I.D.
12813 Box and Cover, C-3 Fuselage Control
12842 Cable Assembly, Rudder Valve C-3
12844 Cable Assembly, Remote Instrument Light; Right C3
12845 Cable Assembly, Remote Instrument Light; Left C-3

Mountings for these Assemblies on Fuselage Side

6297 Screw, R.H.I.W. #6 x 5/8" Cad. Plt.



9610 BOX ASSEM. FUSELAGE
TYPE C, C-2

9610 Box Assembly, Fuselage Type C, C-2

(This Assembly is used on C, C2 Trainer Models. It supersedes Assembly No. 8586. Old and new assemblies are not interchangeable.)

Part No.	Nomenclature
5196	Plate, Call Signal Switch
5198	Plate, Microphone-Jack
5199	Plate, Phones-Jack
5200	Plate, Radio Volume Control
5820	Rectifier, Compass Deflector
5824	Washer, Fibre
5825	Washer, Fibre, 7/16" Dia. Shoulder
5826	Washer, Fibre, 5/16" Dia. Shoulder
5927	Terminal, Solder Lug #1-#6 Hole
5984	Resistor, Wire Wound (Adjustable) 150 Ohms-25 Watt
6057	Nut, Hexagon Iron #6-32 x 5/16" x 7/64" Cad. Plt.
6106	Screw, R.H.I.M. #6-32 x 1/2" Cad. Plt.
6309	Nut, Hexagon Brass #6-32 x 1/4" x 3/32" Cad. Plt.
6330	Screw, Parker-Kalon Type U-I Drive #00 x 1/8" Nickel
6522	Washer, 5/32" x 7/16" x .049" Steel Cad. Plt.
6584	Potentiometer, Wirewound 1500 Ohms
6595	Potentiometer, 50,000 Ohms
6684	Transformer, Instrument Lights
6697	Connector, Universal Conduit
6715	Potentiometer, Wirewound-30 Ohms
6717	Knob, Control 1-1/2" Round
6719	Resistor, 400 Ohms, 10 Watt Wirewound
6721	Knob, Control 19/32" High x 1-1/4" Long
6722	Switch, Toggle D.P.D.T.
6723	Plate, Volume Name
6724	Terminal, Solder Lug Flat Type-#6 Hole
6813	Jack, 3 Circuit Microphone
6901	Nut, Double Chamfer #3/8"-32 x 9/16" x 3/32" Hex. Cad. Plt.
7307	Screw, Slotted Headless I. Set #8-32 x 3/8" Cup Point
9098	Screw, R.H.I.M. #6-32 x 2-1/2" Painted
9638	Cable Assembly, Control Box to Key
9652	Cable Assembly, Fuselage Control Box Standard
10052	Terminal, Solder Lug; Flat Type #8 Hole
10080	Screw, R.H.I.M. #6-32 x 5/16" Painted
10096	Button, 3/8" Dia. Hole
10097	Button, 1/2" Dia. Hole
10195	Grommet, 1/4" I.D. x 11/32" O.D. Rubber
10238	Strip, 12 Terminal
10249	Connector, Cable 90°
12789	Cable Assembly, Instrument Panel to Fuselage Cont. Box C-3
12790	Cable Assembly, Fuselage Control To Interconnector Box C-3
12808	Grommet, Rubber 1-1/8" O.D. x 5/8" I.D.

9610 Box Assembly, Fuselage Type C, C-2 (Continued)

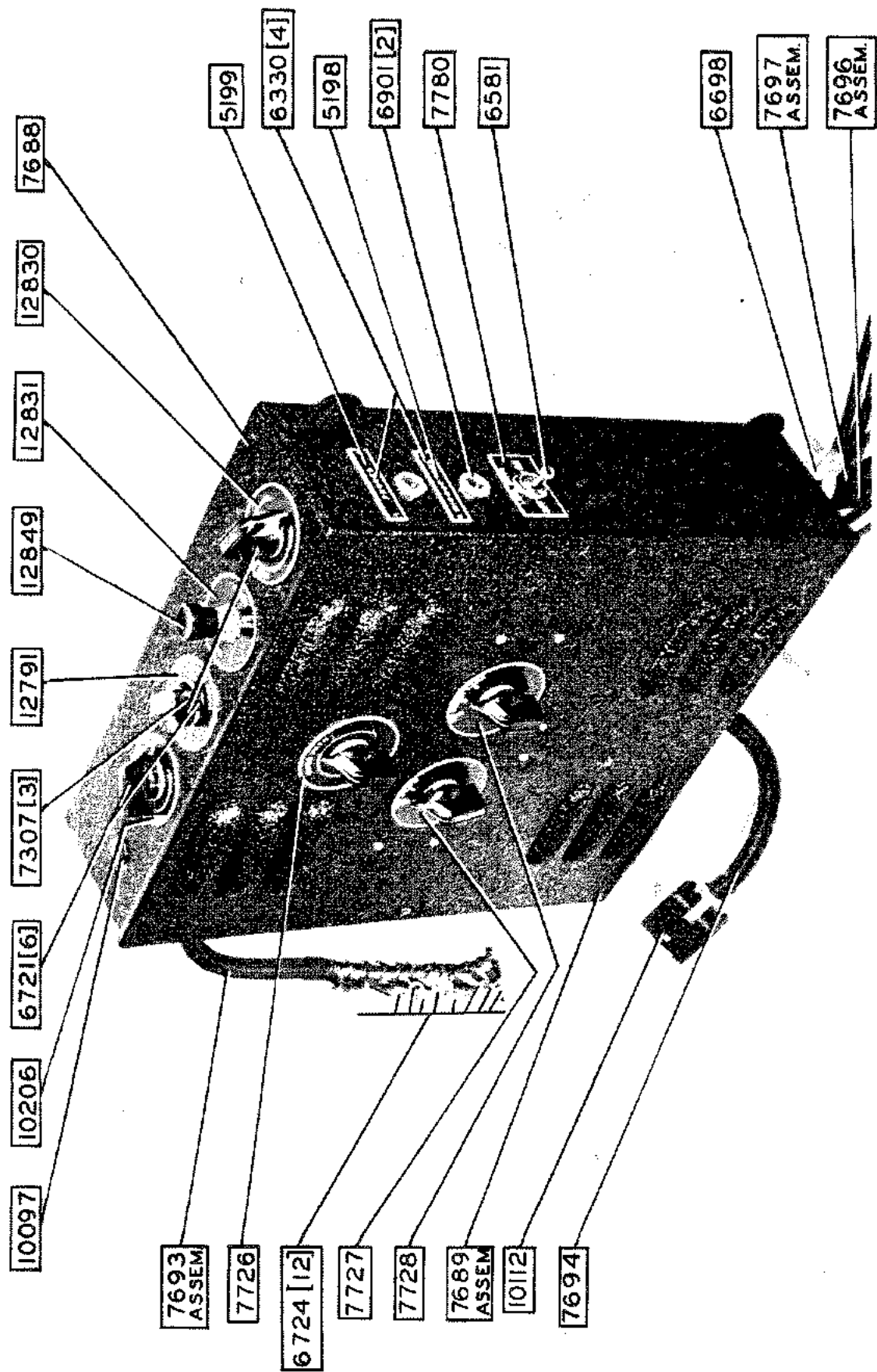
Part No.

Nomenclature

12842 Cable Assembly, Rudder Valve C-3
12844 Cable Assembly, Remote Instrument Light; Right C3
12845 Cable Assembly, Remote Instrument Light; Left C-3

Mountings for this Assembly on Fuselage Side

6297 Screw, R.H.I.W. #6 x 5/8" Cad. Plt.



11138 BOX ASSEMBLY, FUSELAGE CONTROL COMPLETE

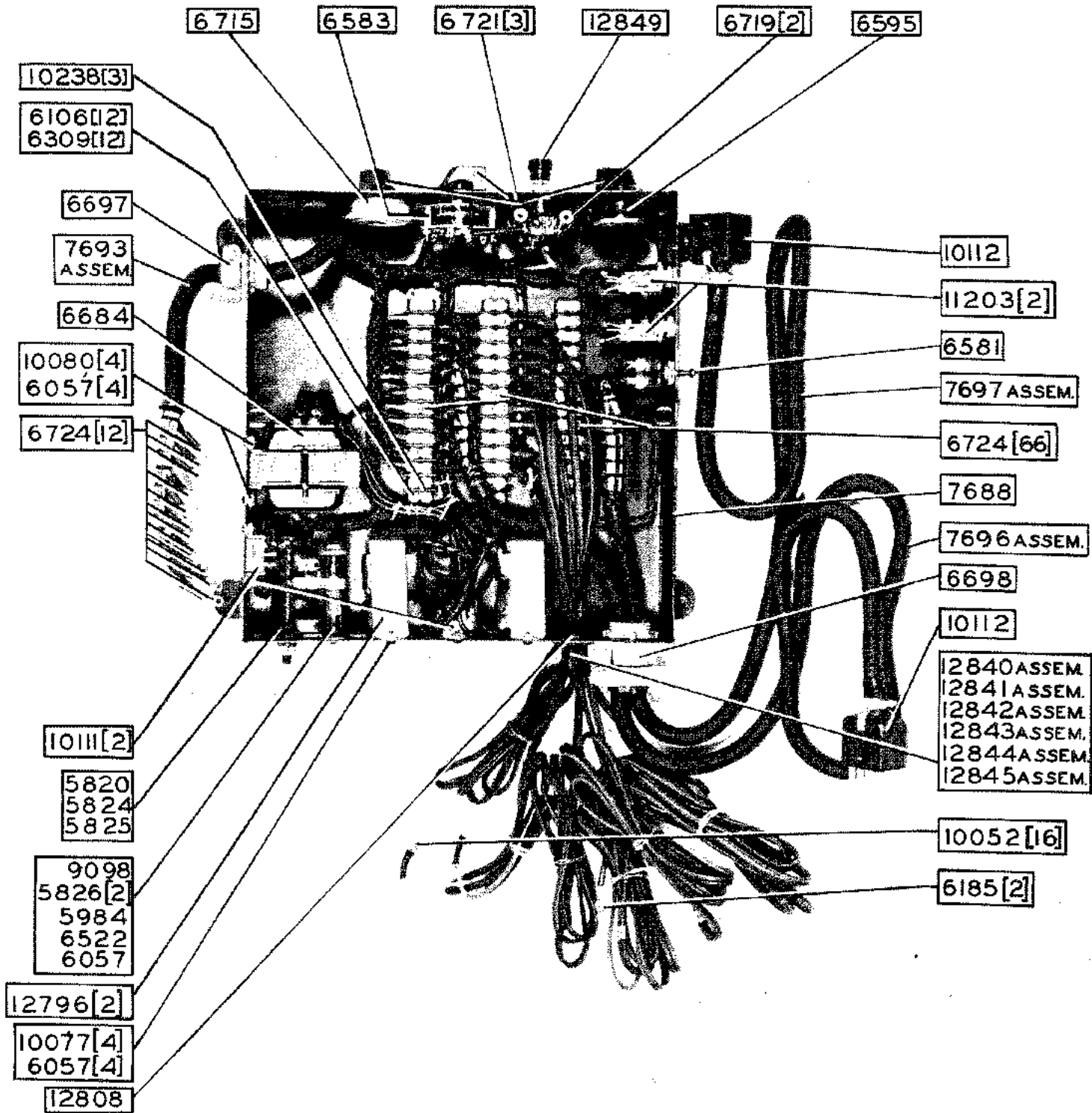
11138 Box Assembly, Fuselage Control Complete

(Complete view of assembly used on AN 2550-1 Trainer Models)

Part No.	Nomenclature
5198	Plate, Microphone - Jack
5199	Plate, Phone - Jack
6330	Screw, Parker-Kalon Type U-I Drive #00
6581	Switch, Power
6698	Connector, Cable
6721	Knob, Control 19/32" High x 1 1/4" Long
6724	Terminal, Solder Lug Flat Type - #6 Hole
6901	Nut, Double Chamfer, #3/8"-32 x 9/16" x 3/32" Hex. Cad. Plt.
7307	Screw, Slotted Headless I. Set #8-32 x 3/8" Cup Point
7688	Base Assembly, Fuselage Control Box
7689	Cover Assembly, Fuselage Control Box
7693	Cable Assembly, Fuselage Control Box
7694	Cable Assembly, Fuselage Control Box Cover
7696	Cable Assembly, Fuselage Control Box to Interconnector Box Long
7697	Cable Assembly, Fuselage Control Box to Interconnector Box Short
7726	Plate, Glide Path
7727	Plate, To-From
7728	Plate, Off-Flight-Land
7780	Plate, Land Instruments OFF-ON
10097	Button, 1/2" Dia. Hole
10112	Connector, Plug 12 Contact
10206	Plate, Cockpit Lighting
12791	Plate, Station Selector
12830	Plate, Radio Volume
12831	Plate, Call Switch
12849	Switch, D.P.D.T. Push Button

Mountings for this Assembly on Side of Fuselage

Part No.	Nomenclature
6297	Screw, R.H.I.W. #6 x 5/8" Cad. Plt.



7691 BOX ASSEMBLY, FUSELAGE CONTROL

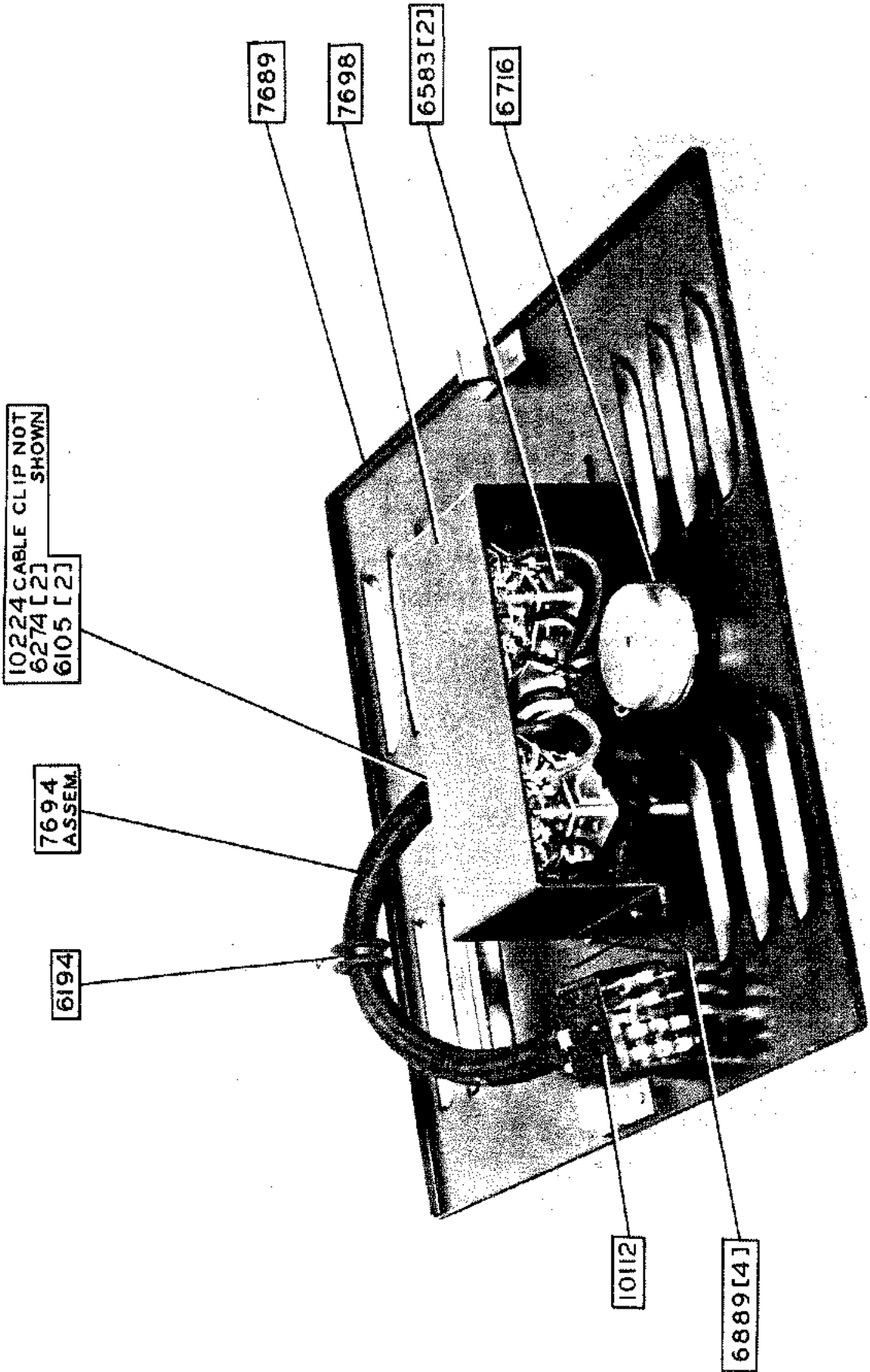
7691 Box Assembly, Fuselage Control

(Interior View of assembly used on
AN 2550-1 Trainer Models. This is part
of Assembly No. 11138

Part No.	Nomenclature
5820	Rectifier, Compass Deflector
5824	Washer, Fibre
5825	Washer, Fibre, 7/16" Dia. Shoulder
5826	Washer, Fibre, 5/16" Dia. Shoulder
5984	Resistor, Wirewound (Adjustable) 150 Ohms 25 Watt
6057	Nut, Hexagon Iron #6-32 x 5/16" x 7/64" Cad.Plt.
6106	Screw, R.H.I.M. #6-32 x 1/2" Cad.Plt.
6185	Terminal, Solder Lug #1 Hole, #8 Hole
6309	Nut, Hexagon Brass #6-32 x 1/4" x 3/32" Cad.Plt.
6522	Washer, 5/32" x 7/16" x .049" Steel Cad.Plt.
6581	Switch, Power
6583	Switch, Selector 3 Circuits-One Section
6595	Potentiometer, 50,000 Ohms
6684	Transformer, Instrument Lights
6697	Connector, Universal Conduit
6698	Connector, Cable
6715	Potentiometer, Wirewound-30 Ohms
6719	Resistor, 400 Ohms, 10 Watt Wirewound
6721	Knob, Control 19/32" High x 1 1/4" Long
6724	Terminal, Solder Lug Flat Type-#6 Hole
7688	Base Assembly, Fuselage Control Box
7693	Cable Assembly, Fuselage Control Box
7696	Cable Assembly, Fuselage Control Box to Interconnector Box (Long)
7697	Cable Assembly, Fuselage Control Box to Interconnector Box Short
9098	Screw, R.H.I.M. #6-32 x 2 1/2" Painted
10052	Terminal, Solder Lug; Flat Type-#8 Hole
10077	Screw, R.H.I.M. #6-32 x 1/4" Parkerized
10080	Screw, R.H.I.M. #6-32 x 5/16" Painted
10111	Connector, 12 Contact Chassis Type Socket
10112	Connector, Plug 12 Contact
10238	Strip, 12 Terminal
11203	Jack, 2 Circuit Microphone
12796	Transformer, Reactance
12808	Grommet, Rubber 1 1/8" O.D. x 5/8" I.D.
12840	Cable Assembly, Fluorescent Inst. Light - Right C-3
12841	Cable Assembly, Fluorescent Inst. Light - Left C-3
12842	Cable Assembly, Rudder Valve C-3
12843	Cable Assembly, Pitot Tube Heater C-3
12844	Cable Assembly, Remote Instrument Light; Right C-3
12845	Cable Assembly, Remote Instrument Light; Left C-3
12849	Switch, D.P.D.T. Push Button

Mountings for this Assembly on Side of Fuselage

6297 Screw, R.H.I.W. #6 x 5/8" Cad.Plt.

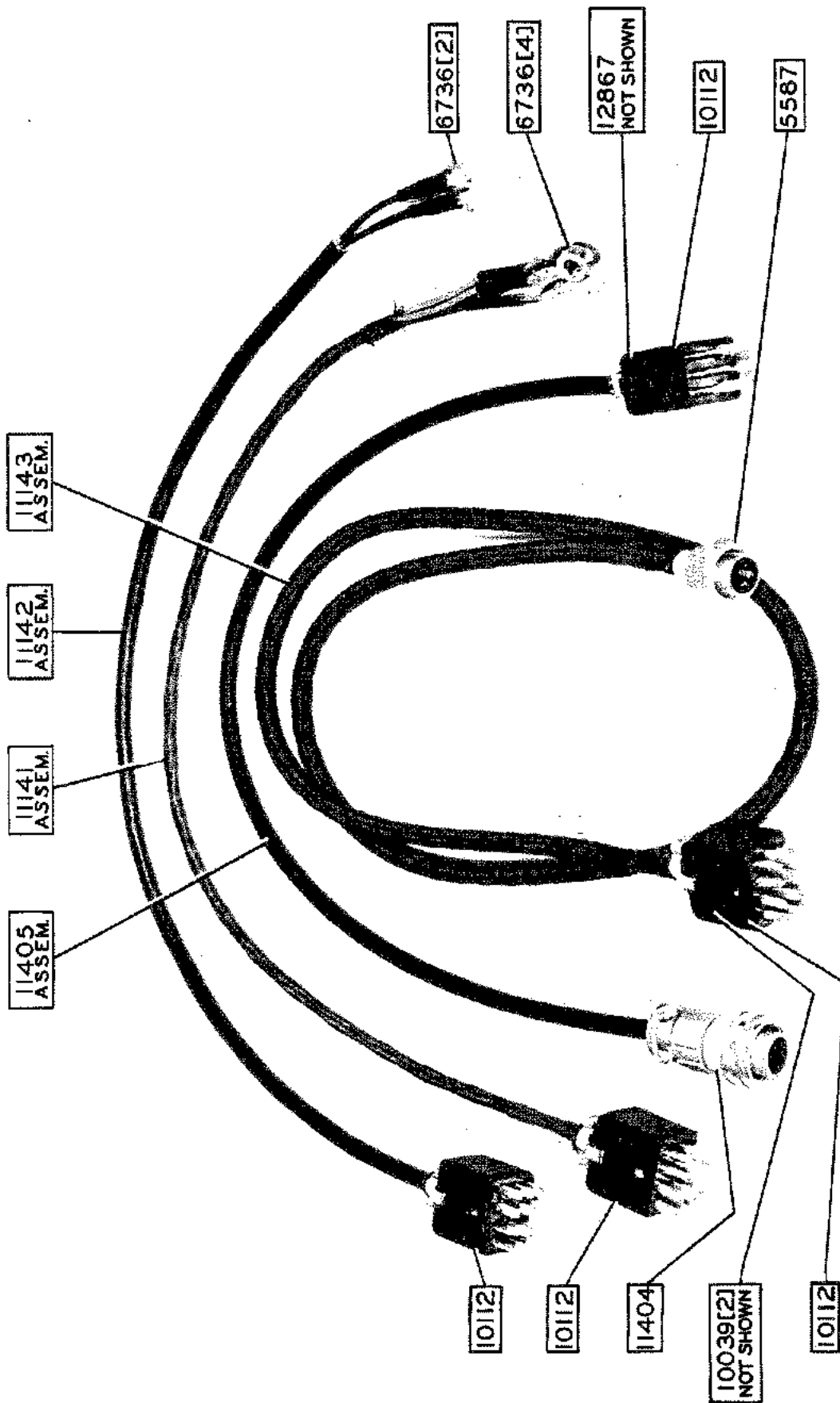


7692 COVER ASSEMBLY, ELECTRICAL PARTS FUSELAGE CONTROL BOX

7692 Cover Assembly Electrical Parts, Fuselage Control Box

(used on AN 2550-1 Trainer Models
This is part of Assembly No.11138)

Part No.	Nomenclature
6105	Screw, R.H.I.M. #2-56 x 1/4" Cad.Plt.
6194	Grommet, Rubber 3/8" I.D. x 9/16" O.D.
6274	Nut, Hexagon Iron #2-56 x 3/16" x 1/16" Cad.Plt.
6583	Switch, Selector 3 Circuits - One Section
6716	Potentiometer, 25,000 Ohms
6889	Screw, Binding Head; Type "Z" #2 x 1/8" Cad.Plt.
7689	Cover Assembly, Fuselage Control Box
7694	Cable Assembly, Fuselage Control Box Cover
7698	Cover, Selector Switch
10112	Connector, Plug 12 Contact
10224	Clip, Cable

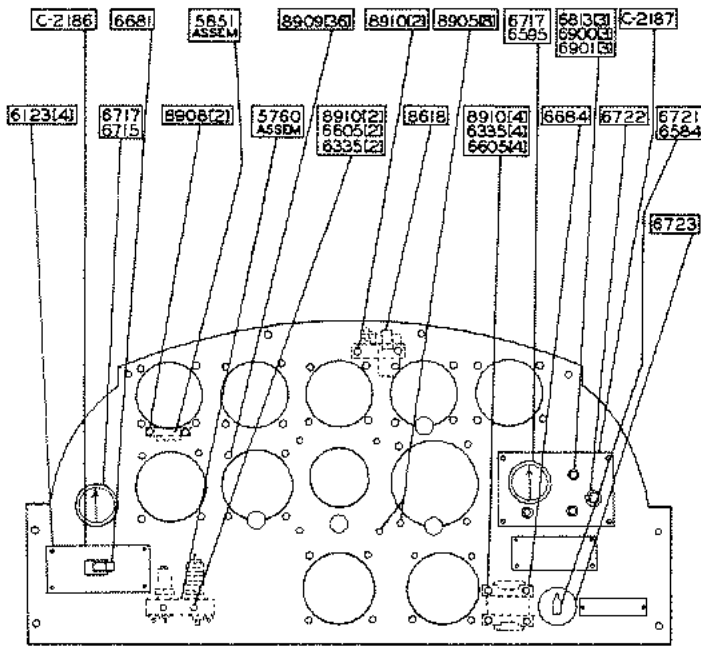


CABLE ASSEMBLIES, ARMY LOCALIZER, NAVY CROSS POINTER,
 BRITISH FLIGHT PATH AND SPECIAL ARMY LOCALIZER

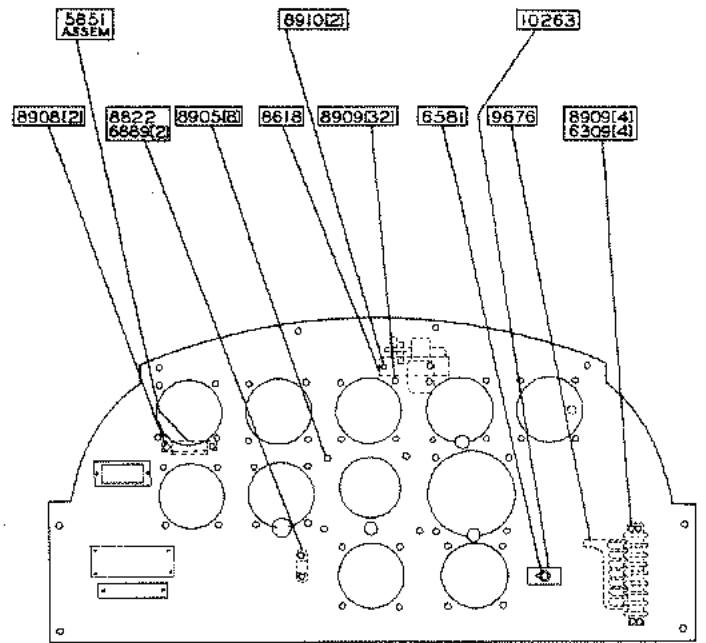
Cable Assemblies, Army Localizer, Navy Cross Pointer,
British Flight Path and Special Army Localizer

* (Used on AN 2550-1 Trainer Models)

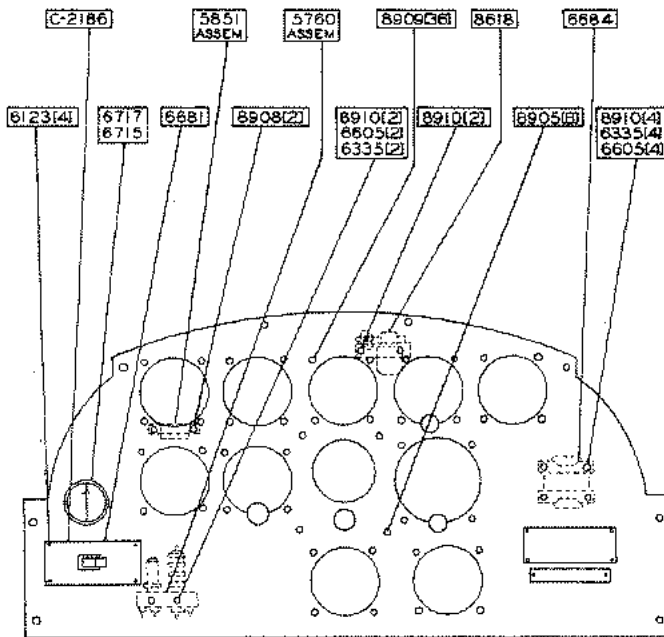
Part No.	Nomenclature
5587	Connector, 6 Pole Cable
6736	Terminal Lug, Battery Cable Type 9/32 Hole
10039	Resistor, 50,000 Ohm - 1/2 Watt
10112	Connector, Plug 12 Contact
11141	Cable Assembly, Navy Cross Pointer to Fuselage Control Box
11142	Cable Assembly, Army Localizer to Fuselage Control Box
11143	Cable Assembly, British Flight Path to Fuselage Control Box
11404	Connector, 4 Pole Amphenol
11405	Cable Assembly, Sp. Army Localizer to Fuselage Control Box
12867	Resistor, 10,000 Ohms - 1/2 Watt



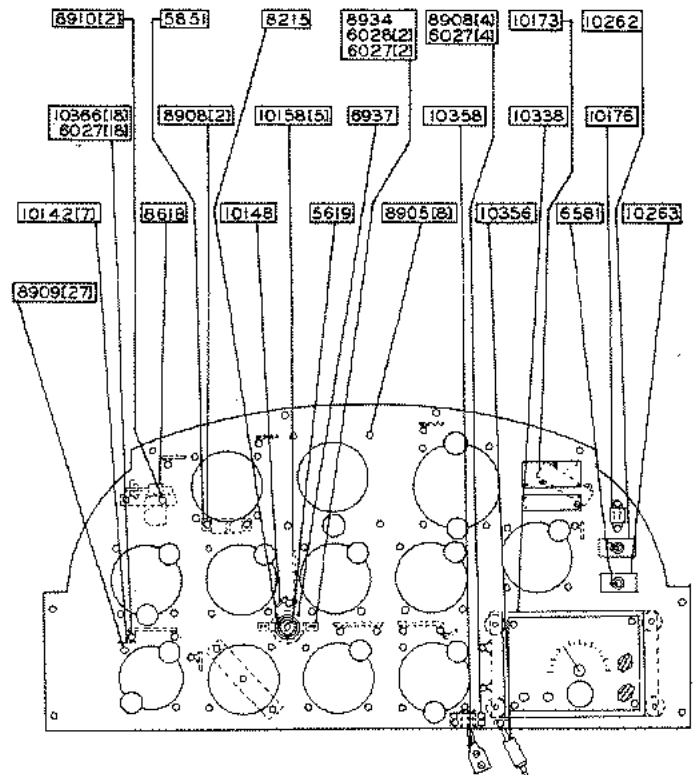
C-2189-A PANEL ASSEMBLY INSTRUMENT TYPE 'C'



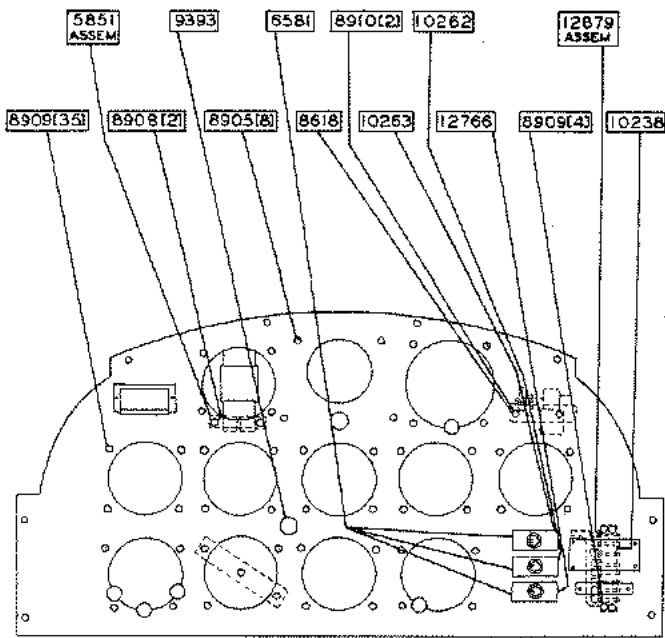
9663 PANEL ASSEMBLY TYPE 'C-2' INSTRUMENT



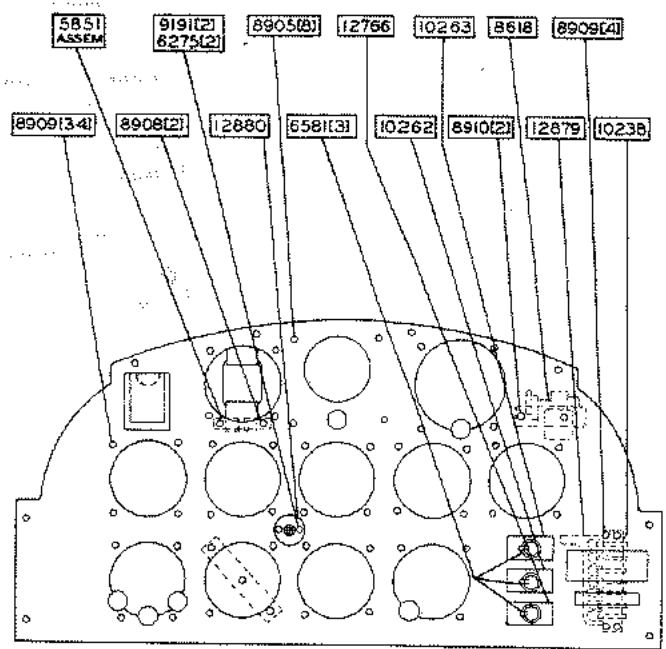
8560 PANEL ASSEMBLY INSTRUMENT TYPE 'C-2'



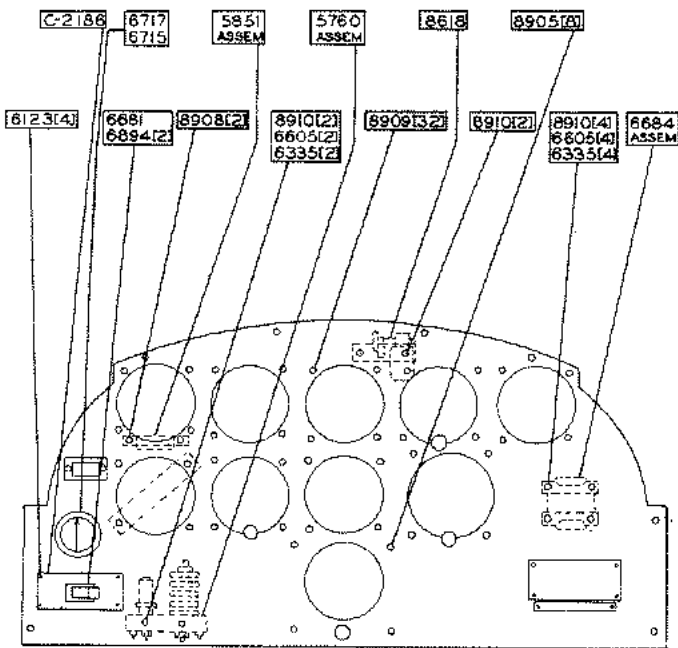
10465 PANEL ASSEMBLY C-5 INSTRUMENT



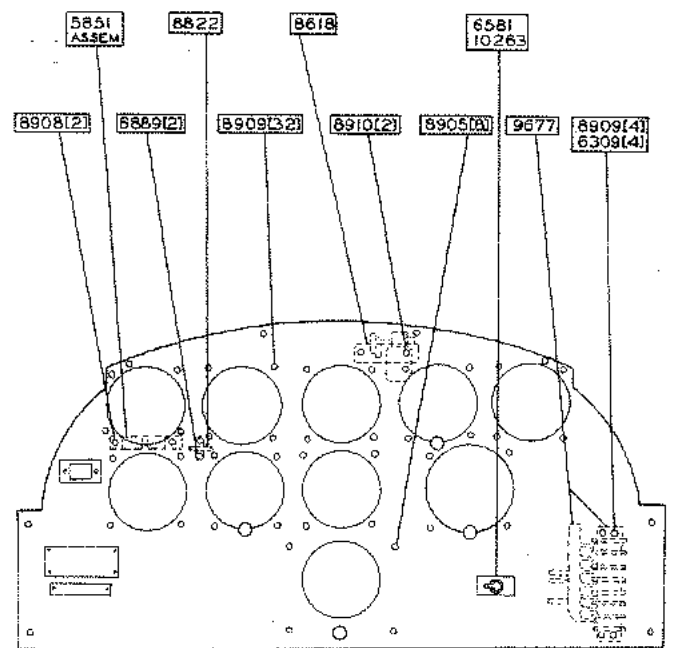
9385 PANEL ASSEMBLY C-3 STANDARD INSTRUMENT



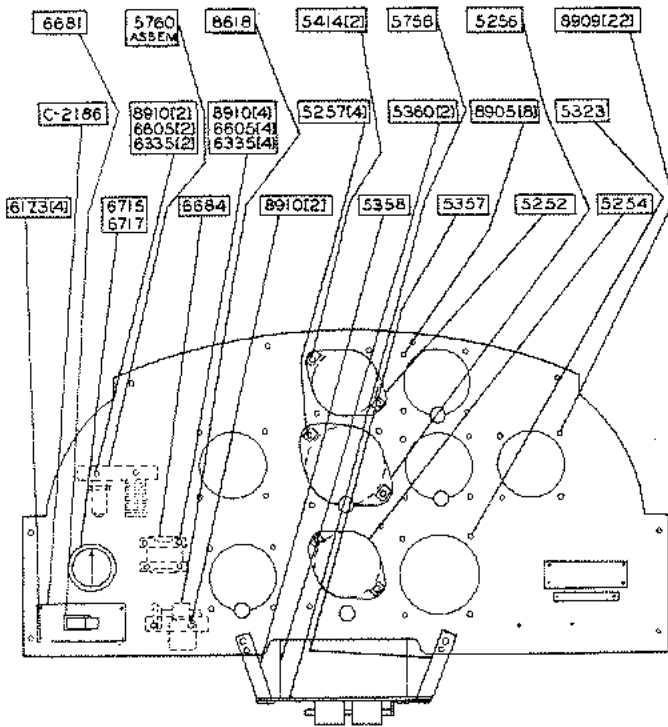
12884 PANEL ASSEMBLY C-3 INSTRUMENT



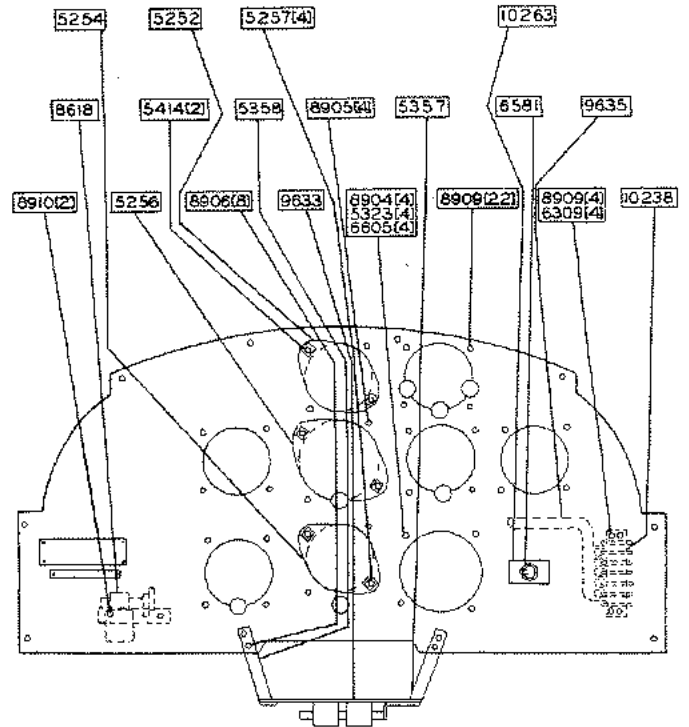
5461 PANEL ASSEMBLY INSTRUMENT TYPE "D"



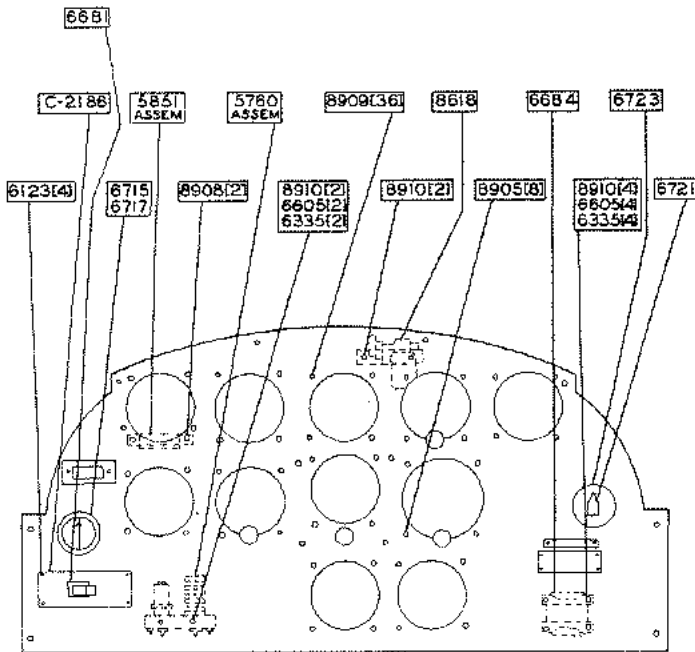
9666 PANEL ASSEMBLY TYPE "D" INSTRUMENT



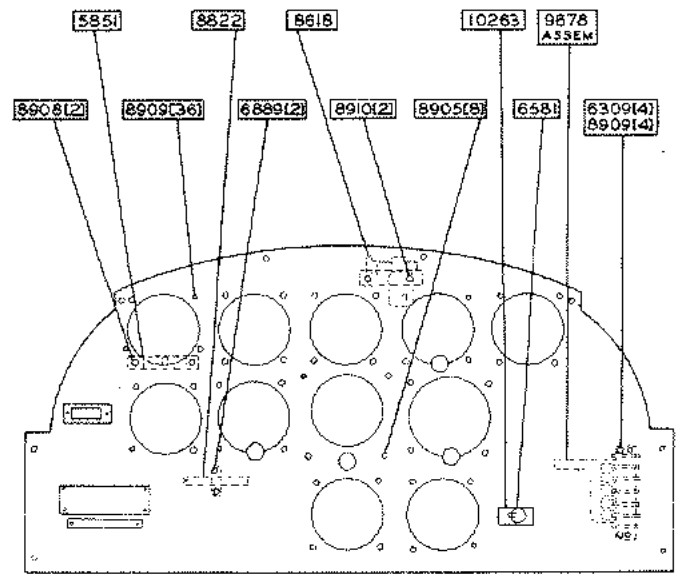
5518 PANEL ASSEMBLY INSTRUMENT BRITISH TYPE 'D'



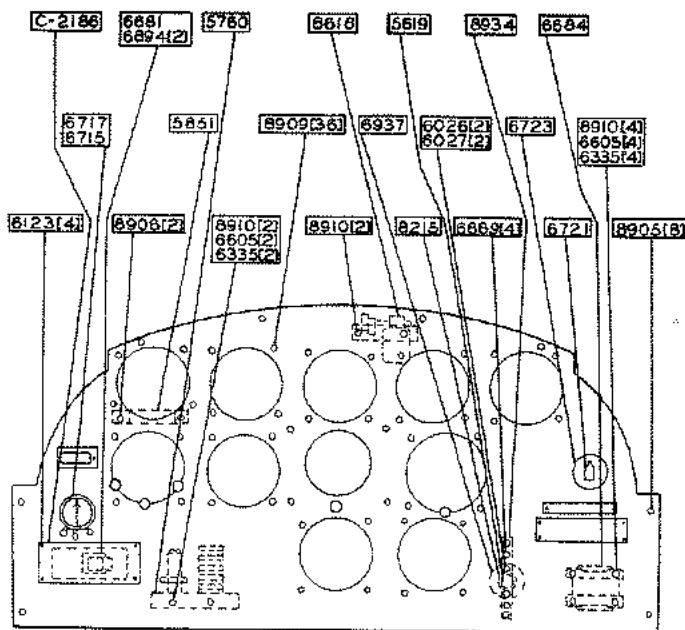
9631 PANEL ASSEMBLY BRITISH TYPE D-1 & D-2 INSTRUMENT



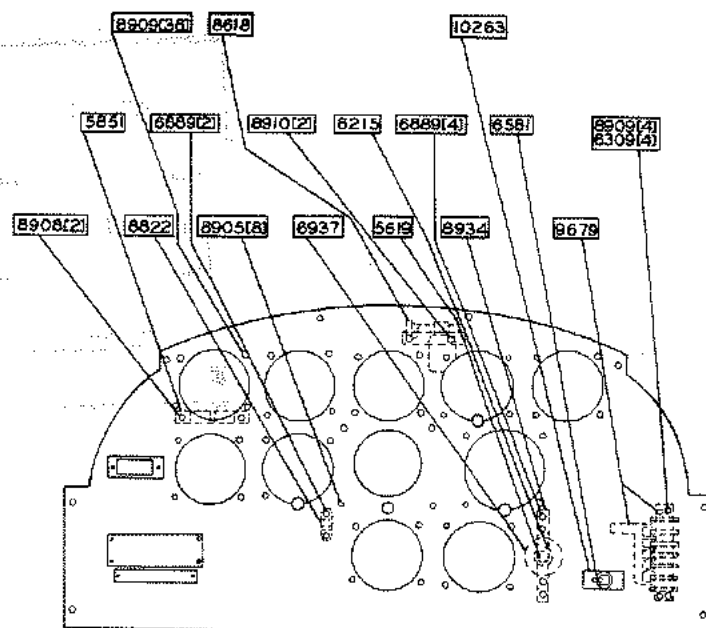
8553 PANEL ASSEMBLY INSTRUMENT TYPE 'E'



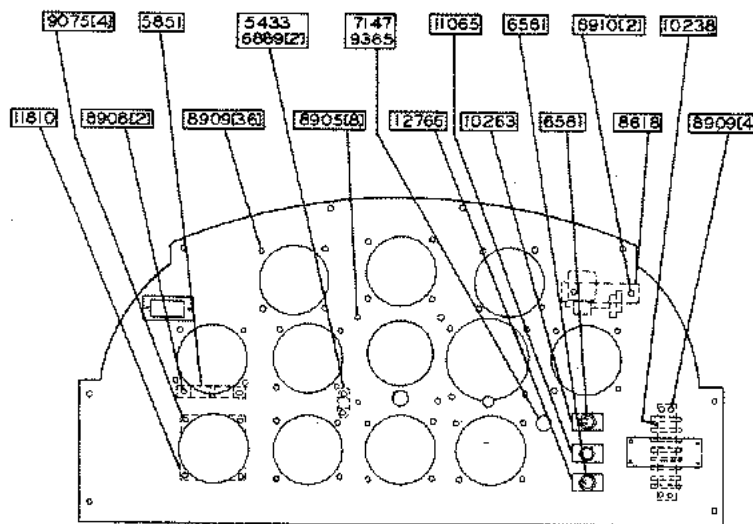
9669 PANEL ASSEMBLY STANDARD INSTRUMENT 'E'



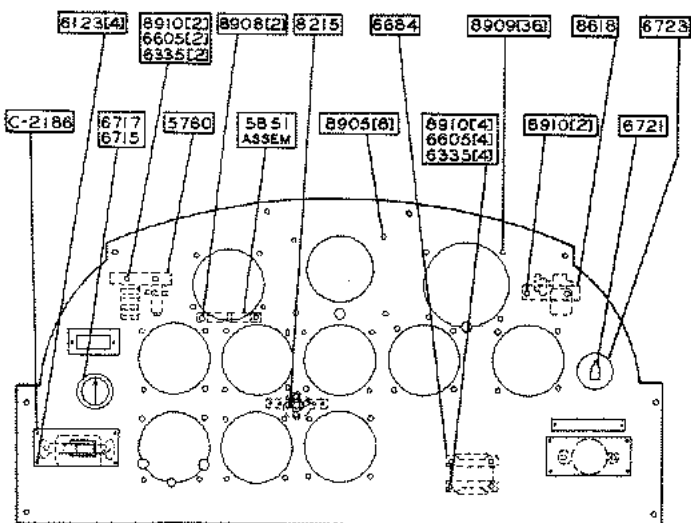
8935 PANEL ASSEMBLY INSTRUMENT TYPE "E" NAVY ELECTRICAL PARTS



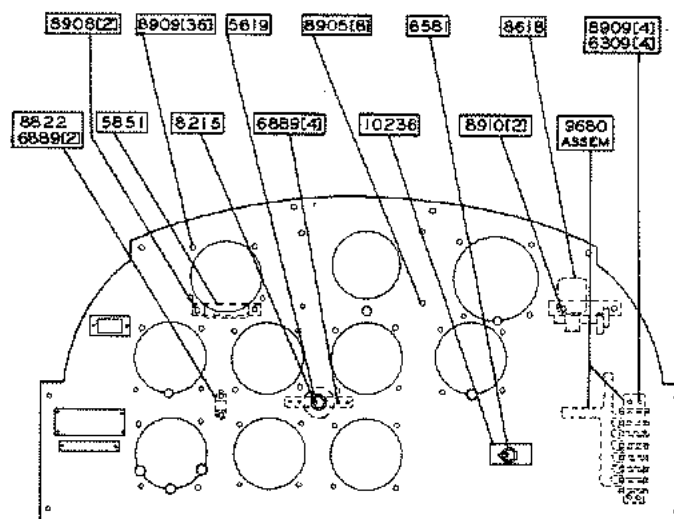
9672 PANEL ASSEMBLY STANDARD "E" TRAINER NAVY INSTRUMENT



1118 PANEL ASSEMBLY STANDARD ELECTRICAL PARTS



8936 PANEL ASSEMBLY INSTRUMENT ELECTRICAL PARTS TYPE "E" U.S. ARMY



9675 PANEL ASSEMBLY TYPE "E" U.S. ARMY INSTRUMENT

C-2189-A Panel Assembly, Instrument Type "C"
9663 Panel Assembly, Type "C-2" Instrument
8560 Panel Assembly, Instrument Type "C-2"
10465 Panel Assembly, C-5 Instrument
9385 Panel Assembly, C-3 Standard Instrument
12884 Panel Assembly, C-3 Instrument
5461 Panel Assembly, Instrument Type "D"
9666 Panel Assembly, Type "D" Instrument
5518 Panel Assembly, Instrument British Type "D"
9631 Panel Assembly, British Type D-1 and D-2 Instrument
8553 Panel Assembly, Instrument Type "E"
9669 Panel Assembly, Standard Instrument "E"
8935 Panel Assembly, Instrument - Electrical Parts Type
"E" Navy
9672 Panel Assembly, Standard "E" Trainer Navy Instrument
11118 Panel Assembly, Standard Electrical Parts
8936 Panel Assembly, Instrument - Electrical Parts -
Type "E" U.S. Army
9675 Panel Assembly, Type "E" U.S. Army Instrument

(Assembly No. 9663 supersedes Assembly Nos. C-2189-A and 8560 for use on C and C-2 Trainer Models.

Assembly No. 10465 is used on C-5 Trainer Models.

Assembly No. 12884 is used on C-3 (Army) Trainer Models.

Assembly No. 9385 is used on C-3 (Commercial) Trainer Models.
 Assembly No. 9666 supersedes Assembly No. 5461 for use on D Trainer Models.

Assembly No. 9631 supersedes Assembly No. 5518 for use on D-1 and D-2 Trainer Models.

Assembly No. 9669 supersedes Assembly No. 8553 for use on E Trainer Models.

Assembly No. 9672 supersedes Assembly No. 8935 for use on Navy Esp. Trainer Models.

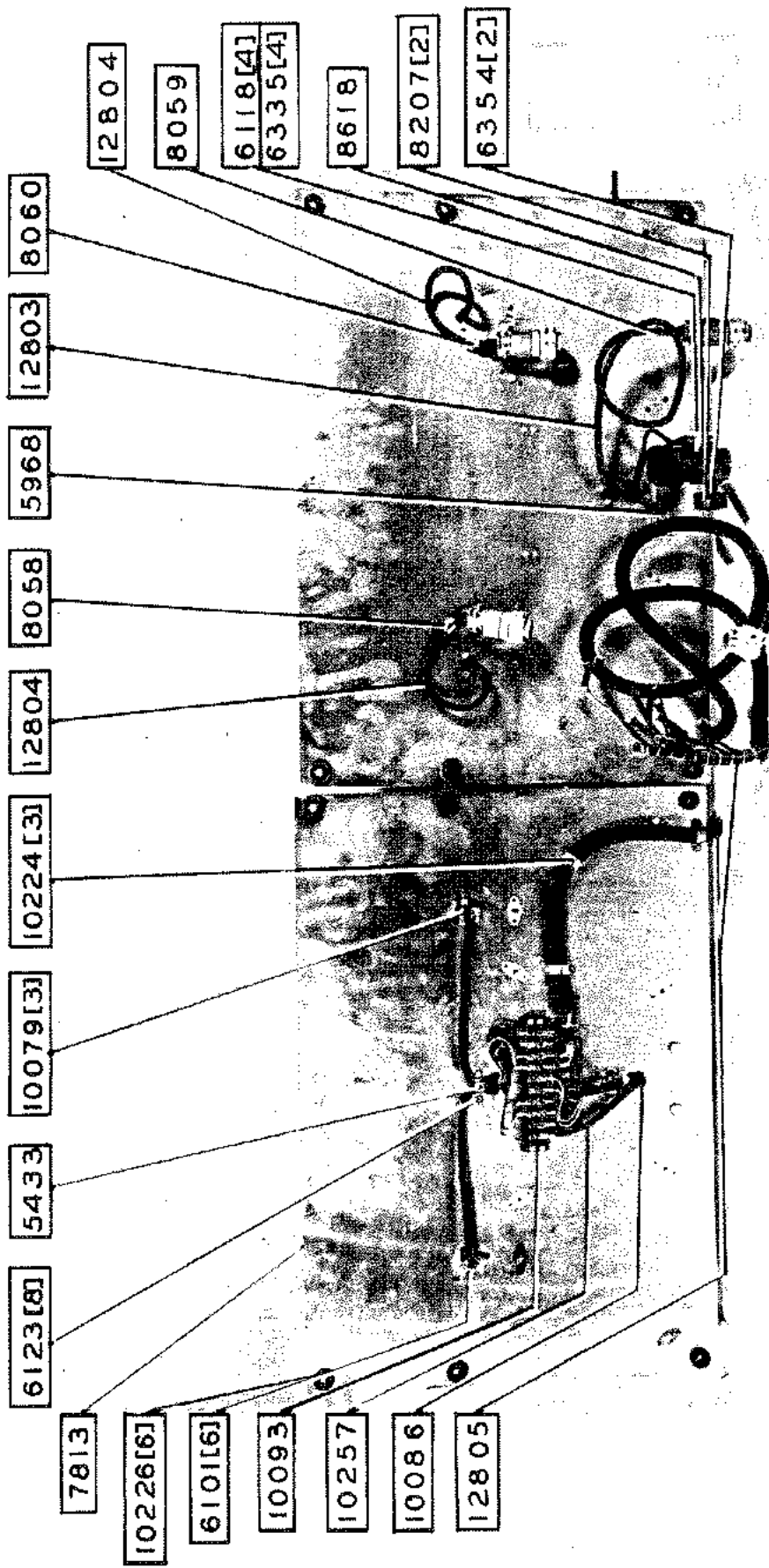
Assembly No. 11118 is used on AN-2550-1 Trainer Models.

Assembly No. 9675 supersedes Assembly No. 8936 for use on Army
Esp. Trainer Models (Army designated C-4 Trainer Models).
Old and new assemblies are not interchangeable.)

<u>Part No.</u>	<u>Nomenclature</u>
C-2186	Plate, Dash Switch
C-2187	Plate, Dash Radio
5252	Mask Assembly, Flight-Path Indicator
5254	Mask Assembly, Directional Gyro
5256	Mask Assembly, Artificial Horizon
5257	Post, Instrument Mask
5323	Spacer, Turning Indicator Mounting
5357	Support, Compass Mounting Plate - Left
5358	Support, Compass Mounting Plate - R.T.
5360	Brace, Compass Mounting Plate
5414	Stud, Instrument Mask #6-32
5433	Clip, Fuselage Control Box Cable
5619	Neon Lamp
5758	Deflector Assembly, English "D" Compass
5760	Rectifier Assembly, Compass Deflector
5851	Deflector Assembly
6026	Screw, R.H.I.M. #10-24 x 3/8" Cad. Plt.
6027	Nut, Hexagon Brass #6-32 x 5/16" x 7/64" Bright Dip
6028	Screw, R.H.B.M. #6-32 x 3/4" Bright Dip
6123	Screw, Binding Head Type "Z" #2 x 3/16" Nickel
6275	Nut, H.B. #4-36 x 1/4 x 3/32 Bright Dip
6309	Nut, Hexagon Brass #6-32 x 1/4" x 3/32" Cad. Plt.
6335	Washer, #10 Internal Teeth Lock - Steel
6581	Switch, Power
6584	Potentiometer, Wirewound 1500 Ohms
6595	Potentiometer, 50,000 Ohms
6605	Nut, Hexagon Brass #10-32 x 3/8" x 1/8" Cad. Plt.
6681	Switch, Flush Tumbler
6684	Transformer, Instrument Lights
6715	Potentiometer, Wirewound, 30 Ohms
6717	Knob, Control 1 1/2" Round
6721	Knob, Control 19/32" High x 1 1/4" Long
6722	Switch, Toggle D.P.D.T.
6723	Plate, Volume Name
6813	Jack, 3 Circuit Microphone
6889	Screw, Binding Head Type "Z" #2 x 1/8" Cad. Plt.
6894	Screw, Binding Head B.M. #8-32 x 3/16"
6900	Nut, Binding #3/8"-32 x 1/2" x 3/32" Hex.
6901	Nut, Double Chamfer #3/8"-32 x 9/16" x 3/32" Hex. Cad. Plt.
6937	Holder, Marker Beacon Lamp
7147	Lamp, 6-8 Volts
8215	Ferrule, Instrument Panel (Navy)
8618	Vibrator Motor Assembly
8822	Clip, Tubing
8904	Screw, Instrument Panel Mounting Machine
8905	Screw, Gyro and Horizon Mounting

Instrument Panels (Continued)

<u>Part No.</u>	<u>Nomenclature</u>
8906	Screw, Solenoid Mounting
8908	Screw, Compass Deflector Mounting
8909	Screw, Instrument Mounting
8910	Screw, Vibrator Motor & Rectifier Bracket Mounting
8934	Bracket, Marker Beacon Lamp Holder
9075	Screw, Remote Control Dial Cover
9191	Screw, C-3 Marker Indicator
9365	Socket, Red Miniature Bayonet
9393	Light Assembly, Marker
9633	Deflector Assembly, English "D" Compass
9635	Cable Assembly, British D1 & D2 Instrument Panel
9676	Cable Assembly, Type C & C-2 Instrument Panel
9677	Cable Assembly, Standard "D" Instrument Panel
9678	Cable Assembly, Standard "E" Instrument Panel
9679	Cable Assembly, Type "E" Navy Instrument Panel
9680	Cable Assembly, Type "E" U.S. Army Instrument Panel
10142	Strip, Terminal; One Lug and Ground
10148	Capacitor, Electrolytic - 10 Mfd. 15 Mfd. 15 Mfd. 450 Volts
10158	Strip, Terminal; 4 Lugs and Ground
10173	Connector, 33 Contact Chassis Type Plug
10176	Connector, 4 Contact Chassis Type Socket
10238	Strip, 12 Terminal
10262	Plate Gas Gauge
10263	Plate, Ignition Switch
10338	Radio Receiver, C-5 Trainer
10356	Cable Assembly, Radio Output Jack
10358	Cable Assembly, Fuel Gauge
10366	Screw, Terminal Strip Mounting (Short)
11065	Plate, Gas Gauge
11810	Ring, Clock Mounting Adapter
12766	Plate, Pitot Tube Heater Switch
12879	Cable Assembly, C-3 Inst. Panel
12880	Marker Indicator Assembly, Type C-3 Panel

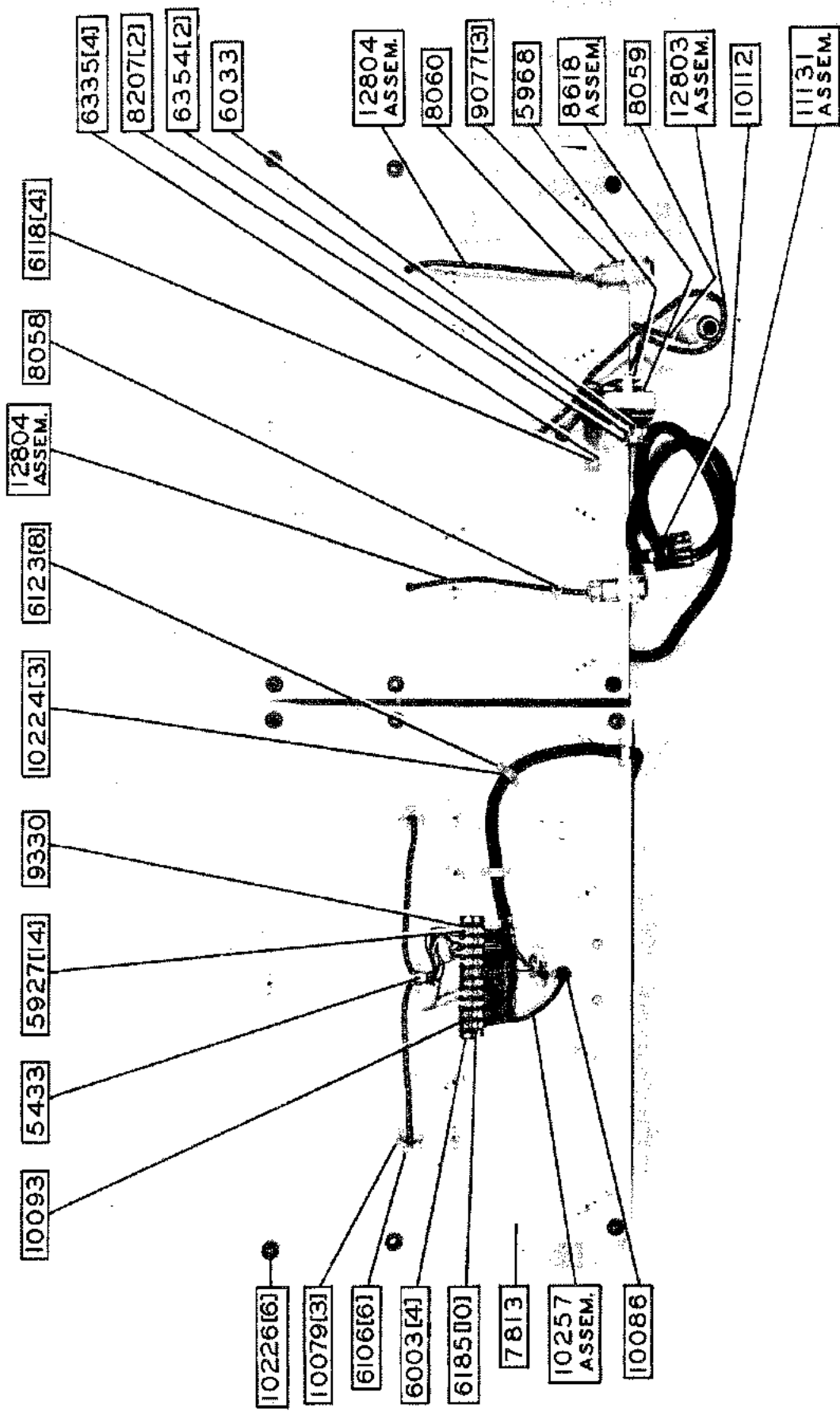


12807 PANEL ASSEMBLY, C-3 REMOTE INSTR. TRANS. MOUNTING

12807 Panel Assembly, C-3 Remote Instrum. Trans. Mounting

(This Assembly is used on C2, C3, D, D1, D2, E, Esp, E1, E2 Trainer Models. It supersedes Assembly No. 5209. Old and new assemblies are not interchangeable.)

Part No.	Nomenclature
5433	Clip, Fuselage Control Box Cable
5968	Bracket, Transmitter and Instrument Vibrator Motor Mounting
6101	Screw, R.H.I.M. #6-32 x 1/4" Cad. Plt.
6118	Screw, R.H.I.M. #10-32 x 3/8" Cad. Plt.
6123	Screw, Binding Head Type "Z" #2 x 3/16" Nickel
6335	Washer, #10 Internal Teeth Lock-Steel
6354	Screw, Bristo Headless I. Set #8-32 x 3/16" Cup Pt. Harden
7813	Panel and Nut Assembly, Remote Inst. Transmitter Mounting C-3
8058	Marker, Air Speed Cable
8059	Marker, Vertical Speed Cable
8060	Marker, Altimeter Cable
8207	Weight, Transmitter and Remote Indicating Instrument Panel Vibrator
8618	Vibrator Motor Assembly
10079	Clamp, Cable
10086	Grommet, 3/16" I.D. x 15/32" O.D. Rubber
10093	Strip, 10 Terminal
10224	Clip, Cable
10226	Grommet, 1/4" I.D. x 5/8" O.D. Rubber
10257	Cable Assembly, Vibrator Motor C-5 Remote Inst. Panel
12803	Cable Assembly, Vertical Speed Transmitter
12804	Cable Assembly, Altimeter Air-Speed Transmitter
12805	Cable Assembly, Trans. Panel to Fuselage Int. Box
Mountings for this Assembly in Fuselage	
6131	Screw, R.H.I.W. #8 x 1" Cad. Plt.
6976	Washer, .171"-.169" x 7/16" x 1/32" Brass

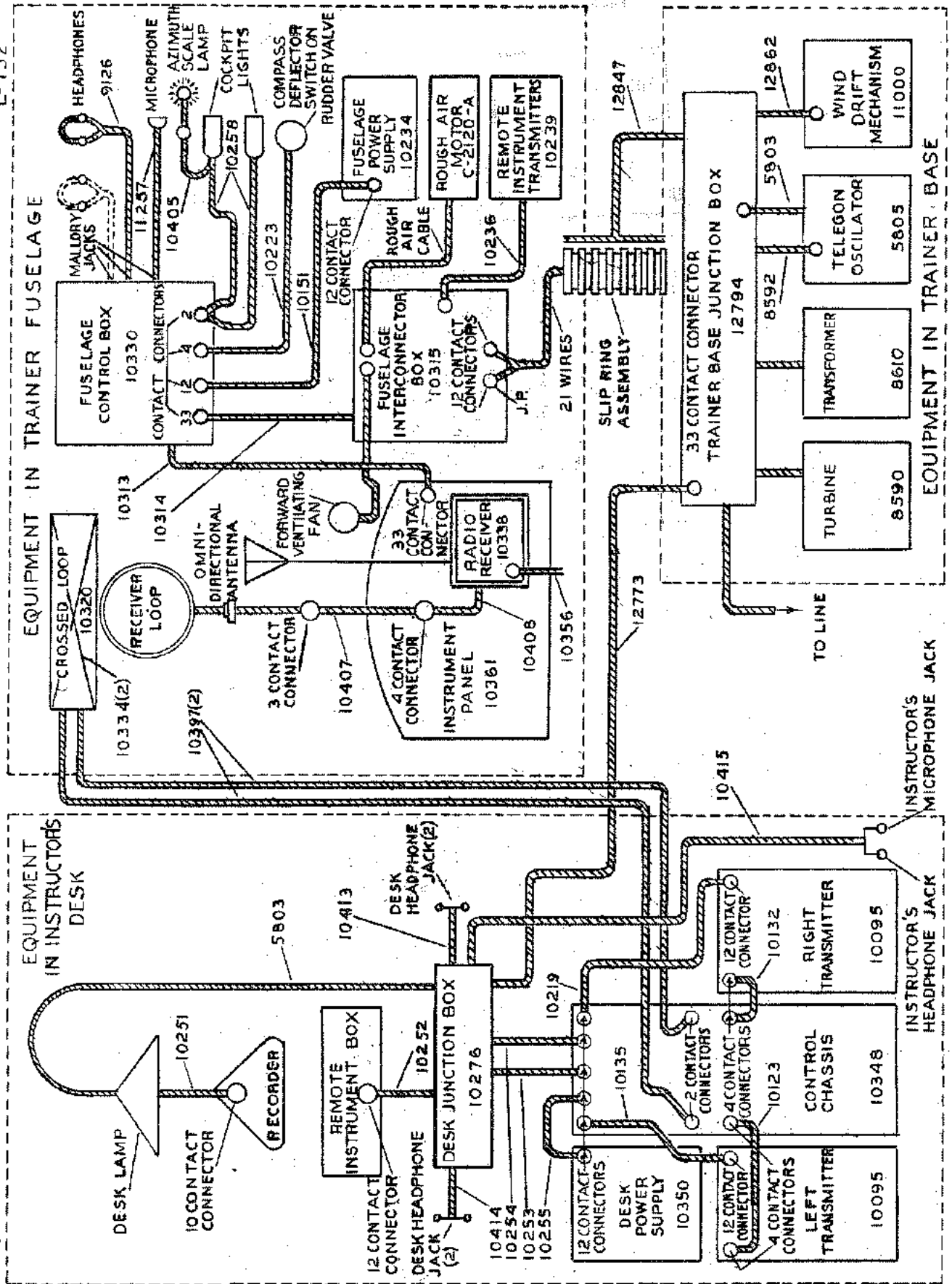


11173 PANEL ASSEM., REMOTE INSTRUMENT TRANSMITTER MOUNTING

11173 Panel Assembly, Remote Instrument Transmitter Mounting

(Used on AN-2550-1 Trainer Models)

Part No.	Nomenclature
5433	Clip, Fuselage Control Box Cable
5927	Terminal, Solder Lug #1-#6 Hole
5968	Bracket, Transmitter and Instrument Vibrator Motor Mounting
6003	Screw, R.H.I.M. #6-32 x 3/8" Cad. Plt.
6033	Washer, .130" x 9/32" x .025" Brass Bright Dipped
6106	Screw, R.H.I.M. #6-32 x 1/2" Cad. Plt.
6118	Screw, R.H.I.M. #10-32 x 3/8" Cad. Plt.
6123	Screw, Binding Head Type "Z" #2 x 3/16" Nickel
6185	Terminal, Solder Lug #1, #8 Hole
6335	Washer, #10 Internal Teeth Lock-Steel
6354	Screw, Bristo Headless I. Set #8-32 x 3/16" Cup Pt. Harden
7813	Panel and Nut Assembly, Remote Inst. Transmitter Mounting C-3
8058	Marker, Air Speed Cable
8059	Marker, Vertical Speed Cable
8060	Marker, Altimeter Cable
8207	Weight, Transmitter and Remote Indicating Instrument Panel Vibrator
8618	Vibrator Motor Assembly
9077	Plug and Clamp, Instrument Cable Connector
9330	Insulator, Terminal Block
10079	Clamp, Cable
10086	Grommet, 3/16" I.D. x 15/32" O.D. Rubber
10093	Strip, 10 Terminal
10112	Connector, Plug 12 Contact
10224	Clip, Cable
10226	Grommet 1/4" I.D. x 5/8" O.D. Rubber
10257	Cable Assembly, Vibrator Motor C-5 Remote Instr. Panel
11131	Cable Assembly Trans. Panel to Fuselage Inter. Box
12803	Cable Assembly, Vertical Speed Transmitter
12804	Cable Assembly, Altimeter Air Speed Transmitter
Mountings for this Assembly on Fuselage	
5899	Bushing, Transmitter Panel
6131	Screw, R.H.I.W. #8 x 1" Cad. Plt.
6976	Washer, .171"-.169" x 7/16" x 1/32" Brass



C-5 TRAINER SUB-ASSEMBLY & CABLE LAYOUT

C-5 Trainer Sub-Assembly & Cable Layout

Part No.	Nomenclature
C-2120-A	Motor Assembly, Rough Air & Ventilating
5803	Cable, #18 A.W.G.-2 Conductor Fixture
5805	Telegon Oscillator Assembly
8590	Turbine, Compressor
8592	Cable Assembly, Telegon Oscillator Output
8610	Transformer Assembly, Base Step-Down Power
9126	Headphone Assembly, Low Impedance
10095	Transmitter Assembly, C5 Radio
10123	Cable Assembly, Left Gonio to Control Chassis
10132	Cable Assembly, Right Gonio to Control Chassis
10135	Cable Assembly, Control Chassis to Left Transmitter
10151	Cable Assembly, Fuselage Power Supply to Fuselage Control Box
10219	Cable Assembly, Control Chassis to Right Transmitter
10223	Cable Assembly, Rudder Valve Switch to Fuselage Control Box
10234	Chassis Assembly, Fuselage Power Supply
10236	Cable Assembly, Terminal Strip to Interconnector Box
10247	Microphone, Military Type Hand Special
10251	Cable Assembly, Recorder
10252	Cable Assembly, Remote Instrument
10253	Cable Assembly, Desk Junction Box Left
10254	Cable Assembly, Desk Junction Box Right
10255	Cable Assembly, Control Chassis to Power Supply
10258	Cable Assembly, Moonbeam
10276	Box Assembly, Desk Junction C-5 Radio
10313	Cable Assembly, Fuselage Control Box to Instrument Panel
10314	Cable Assembly, Interconnector Box to Fuselage Control Box
10315	Box Assembly, Interconnector
10320	Cross Loop Assembly
10330	Box Assembly, Fuselage Control Electrical C-5
10334	Wire, #22 Magnet
10338	Receiver, Spec. Sheet #2-Radio
10348	Chassis Assembly, Type C-5 Control
10350	Chassis Assembly, Desk Power Supply
10356	Cable Assembly, Radio Output Jack
10361	Panel Assembly, Instrument Electric Parts C-5
10397	Cable Assembly, Control Chassis to Crossed Loop
*10405	Cable Assembly, Azimuth Scale Lamp
*10407	Cable Assembly, Receiving Loop
*10408	Cable, Receiving Loop
10413	Jacks Assembly, Desk Head Phones Right
10414	Jacks Assembly, Desk Headphones Left
10415	Jack Assembly, Instructor's Phones and Microphone
11000	Wind Drift Unit Assembly, Complete

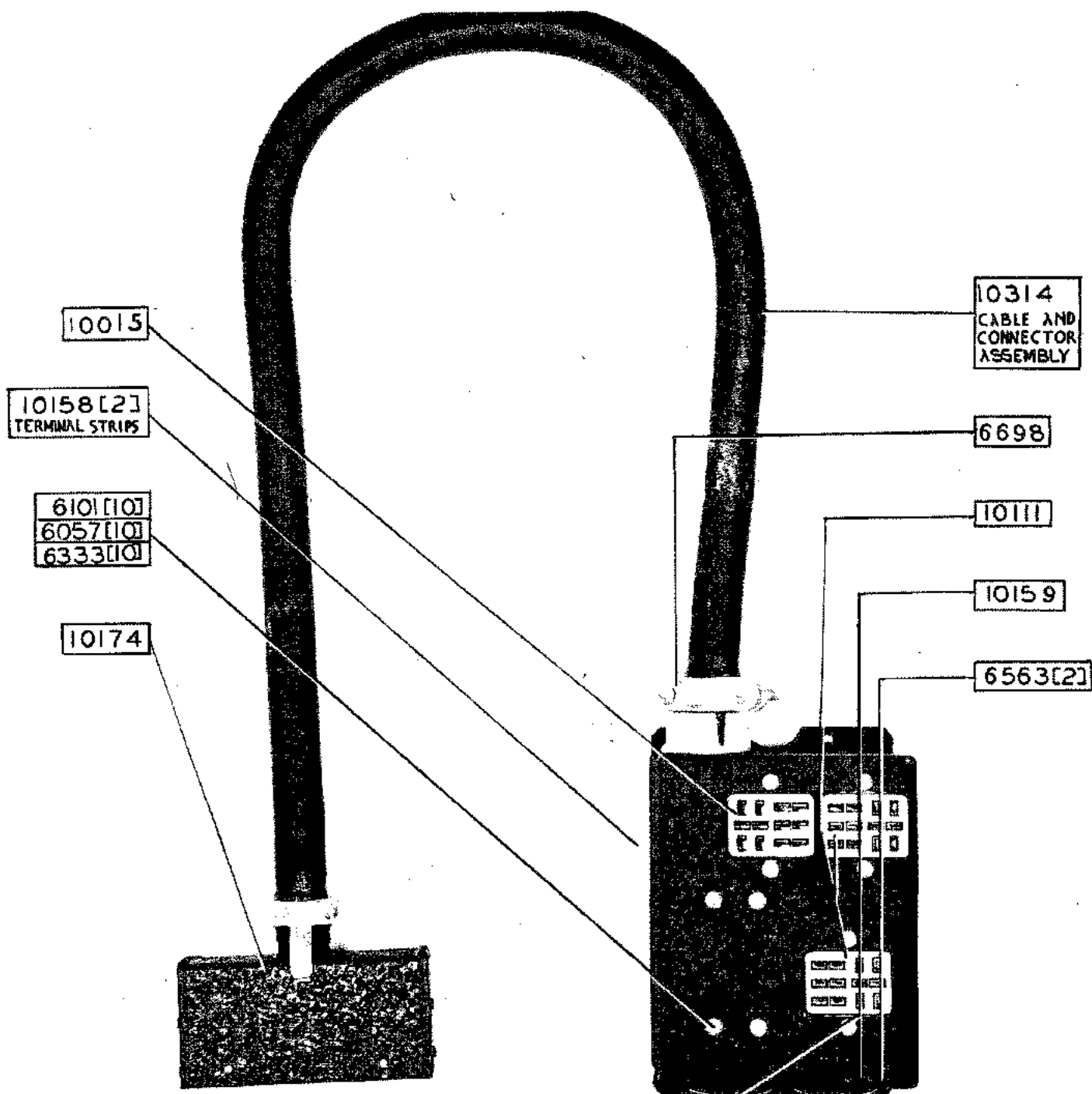
*Note: Parts marked with an asterisk are obsolete. They are either available for service or a substitution of recent design may be made.

C-5 Trainer Sub-Assembly & Cable Layout (Continued)

Part No.

Nomenclature

12773	Cable Assembly, Desk to Base C-5 Trainer
12794	Box Assembly, Base Terminal "C-3"
12847	Cable Assembly, Base Terminal Box to Collector Rings
12862	Cable Assembly, Wind Drift to Junction Box C-3



BOX ASSEMBLY, INTERCONNECTOR
10315

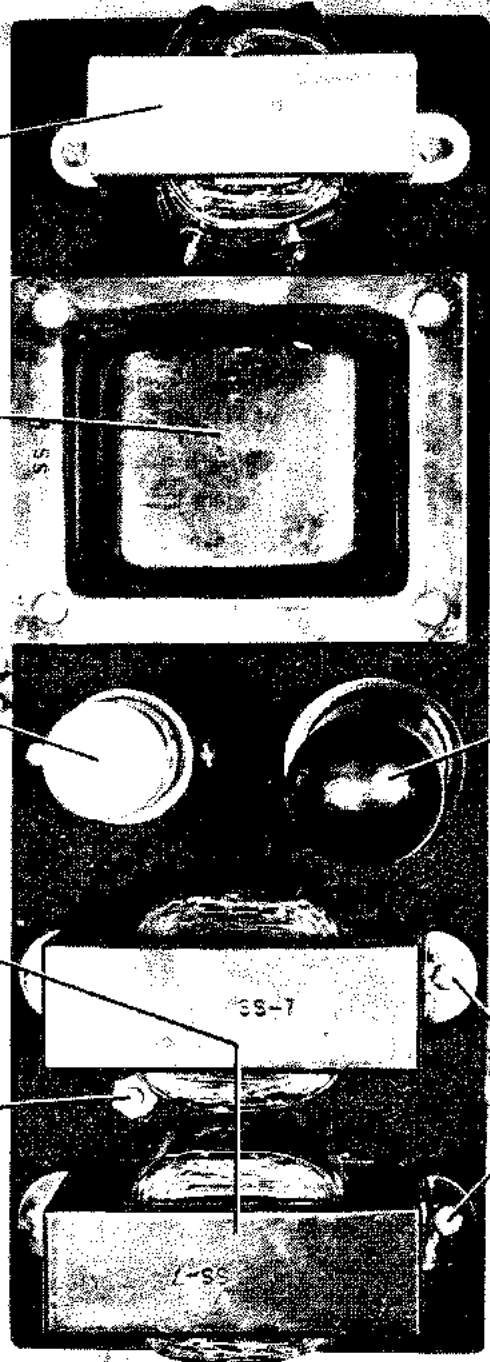
6059
6035

10147[2]

10148

10146

10161



10234 CHASSIS ASSEMBLY, FUSELAGE POWER SUPPLY

10315 Box Assembly, Interconnector

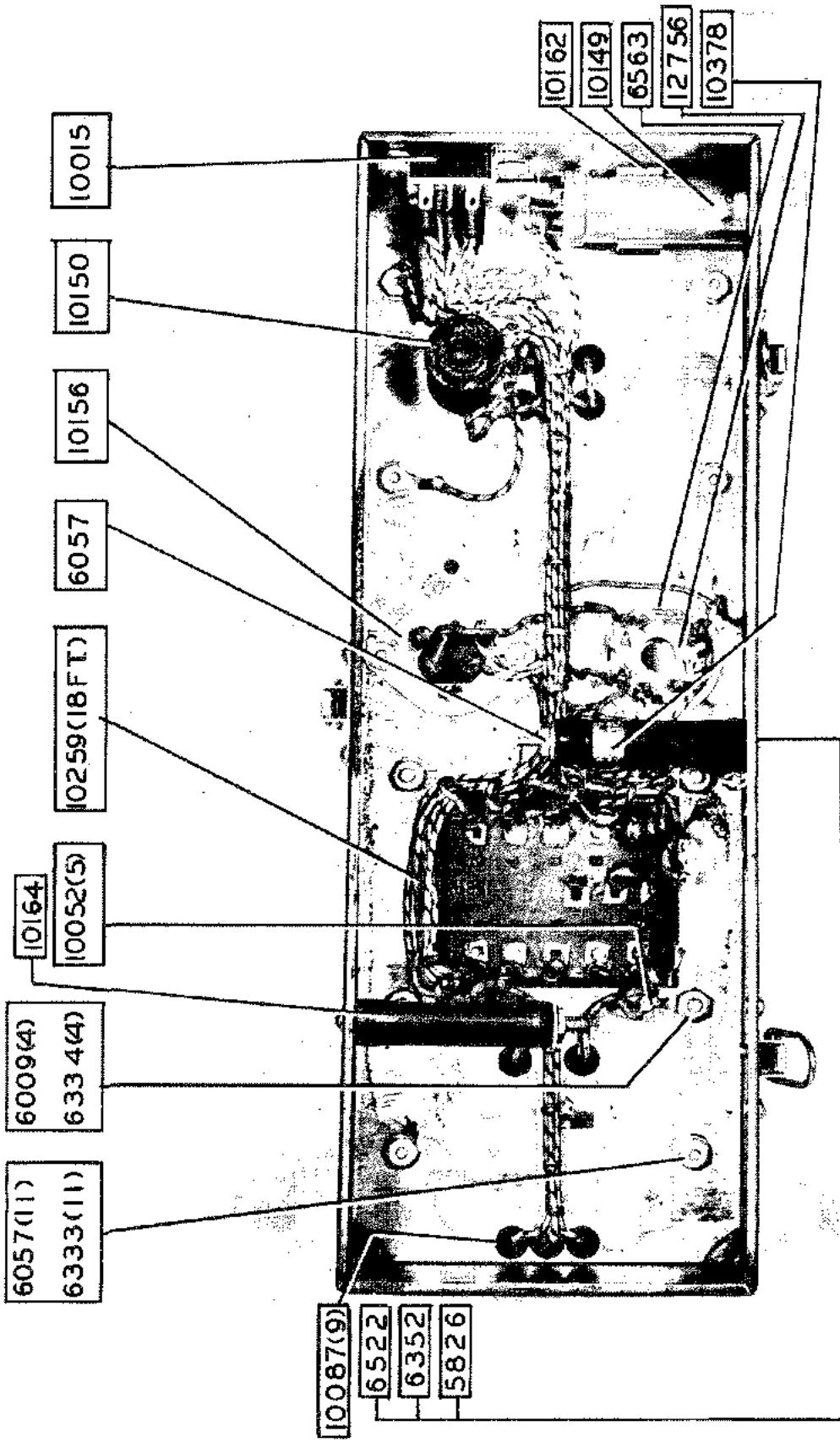
(Used on C5 Trainer Models)

Part No.	Nomenclature
6057	Nut, Hexagon Iron #6-32 x 5/16" x 7/64" Cad. Plt.
6101	Screw, R.H.I.M. #6-32 x 1/4" Cad. Plt.
6333	Washer, #6 Internal Teeth Lock-Steel
6563	Retainer, Tube Socket
6698	Connector, Cable
10015	Connector, 12 Contact Chassis Type Plug
10111	Connector, 12 Contact Chassis Type Socket
10158	Strip, Terminal; 4 Lugs and Ground
10159	Receptacle, Female
10174	Connector, 33 Contact Center Clamp Socket
10314	Cable Assembly, Interconnector Box to Fuselage Control Box
	Mountings for this Assembly on Fuselage Floor
6297	Screw, R.H.I.W. #6 x 5/8" Cad. Plt.

10234 Chassis Assembly, Fuselage Power Supply

(Used on C5 Trainer Models)

Part No.	Nomenclature
6035	Bolt, 3/8-16 x 2 1/2 Pulley, Cad. Plt.
6059	Nut, Hexagon Iron #10-32 x 3/8" x 1/8" Cad. Plt.
6101	Screw, R.H.I.M. #6-32 x 1/4" Cad. Plt.
10146	Transformer, Power C-5 Trainer
10147	Reactor, Filter
10148	Capacitor, Electrolytic-10 Mfd. 15 Mfd. 15 Mfd.-450 Volts
10153	Tube, Type 5T4, Radio
10161	Transformer, Low Voltage Power
10245	Clasp, Cabinet Fastener
	Mountings for this Assembly on Fuselage
6159	Screw, R.H.I.W. #6 x 1" Cad. Plt.



CHASSIS ASSEMBLY, FUSELAGE POWER SUPPLY
10234

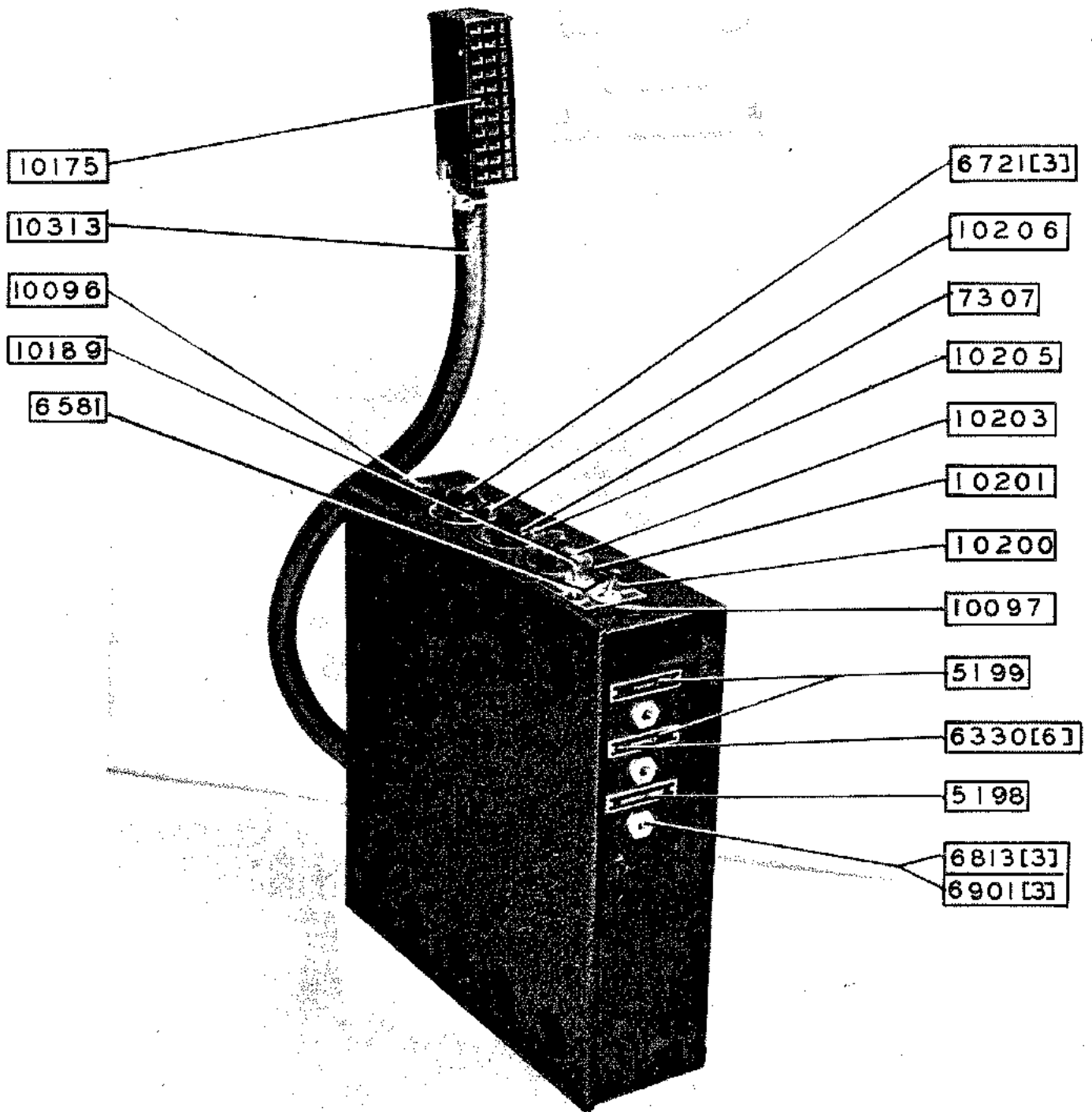
10234 Chassis Assembly, Fuselage Power Supply

(Used on C5 Trainer Models)

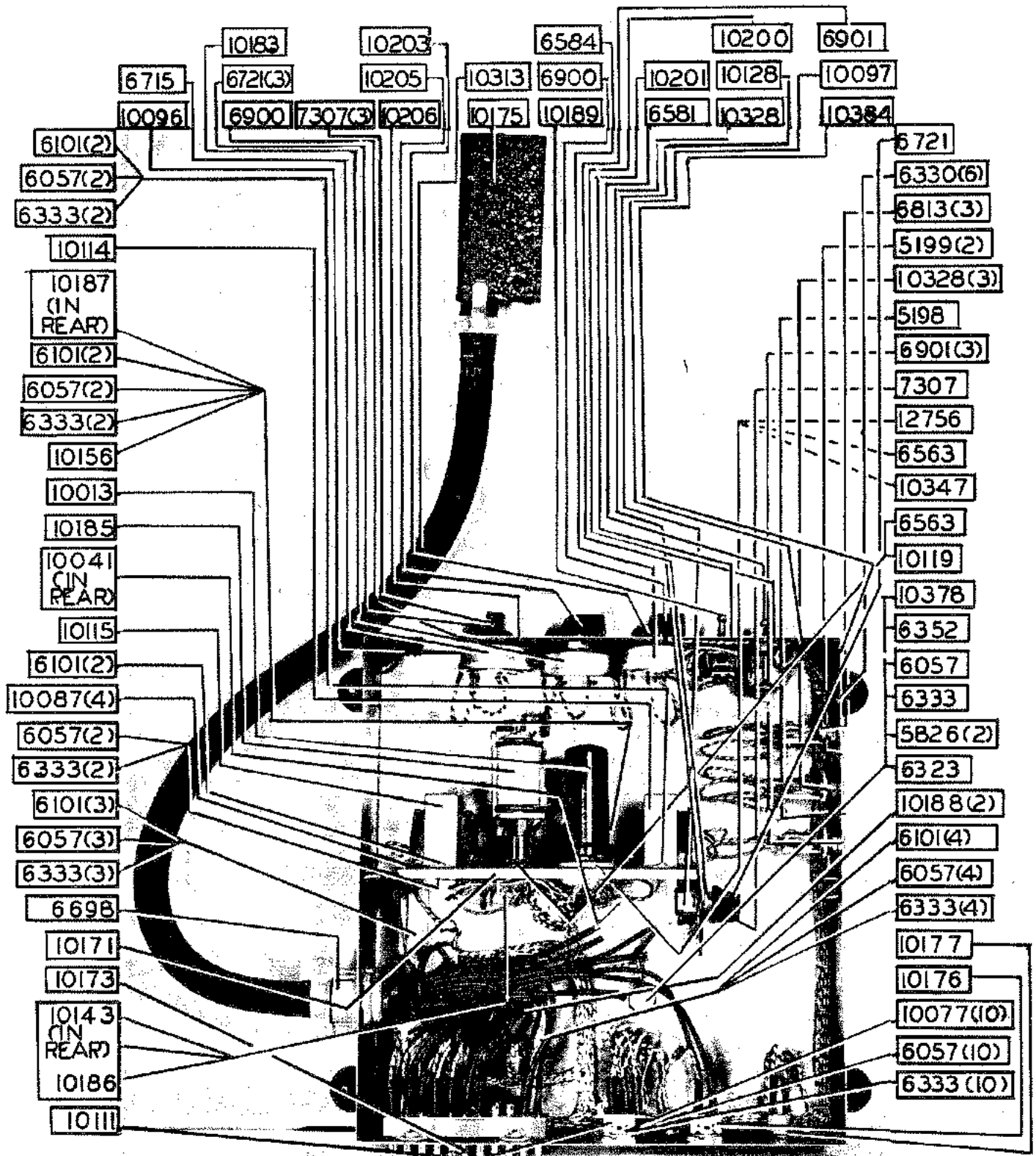
Part No.	Nomenclature
5826	Washer, Fibre, 5/16" Dia. Shoulder
6009	Nut, Hexagon Iron #8-32 x 11/32" x 1/8" Cad. Plt.
6057	Nut, Hexagon Iron #6-32 x 5/16" x 7/64" Cad. Plt.
6333	Washer, #6 Internal Teeth Lock-Steel
6334	Washer, #8 Internal Teeth Lock-Steel
6352	Screw, R.H.I.M. #6-32 x 2-1/2" Cad. Plt.
6522	Washer, 5/32" x 7/16" x .049" Steel Cad. Plt.
6563	Retainer, Tube Socket
10015	Connector, 12 Contact Chassis Type Plug
10052	Terminal, Solder Lug; Flat Type #8 Hole
10087	Grommet, Rubber 1/8" I.D. x 1/4" O.D.
10149	Capacitor, Electrolytic, 40 Mfd. 25 Volt
10150	Rectifier, Copper Oxide
10156	Plate, Capacitor Mounting Large Metal
10162	Clip, Capacitor Mounting
10164	Resistor, Wirewound 25,000 Ohms, 20 Watt
10259	Wire, #20 Stranded Tinned Copper; White-Red Tracer
10378	Resistor, Wire Wound (Adjustable) 1500 Ohms-25 Watt
12756	Socket, 8 Contact Black Bakelite

Mountings for this Assembly on Fuselage

6159 Screw, R.H.I.W. #6 x 1" Cad. Plt.



10330 BOX ASSEMBLY, FUSELAGE CONTROL ELECTRICAL
C-5



10330 BOX ASSEMBLY, FUSELAGE CONTROL ELECTRICAL - C-5

10330 Box Assembly, Fuselage Control Electrical-C-5

(Used on C5 Trainer Models)

Part No.	Nomenclature
5198	Plate, Microphone-Jack
5199	Plate, Phone-Jack
6330	Screw, Parker-Kalon Type U-I Drive #00 x 1/8" Nickel
6581	Switch, Power
6721	Knob, Control 19/32" High x 1 1/4" Long
6813	Jack, 3 Circuit Microphone
6901	Nut, Double Chamfer #3/8"-32 x 9/16" x 3/32" Hex. Cad. Plt.
7307	Screw, Slotted Headless I. Set #8-32 x 3/8" Cup Point
10096	Button, 3/8" Dia. Hole
10097	Button, 1/2" Dia. Hole
10175	Connector, 33 Contact End Clamp Socket
10189	Switch, Simultaneous Voice Range
10200	Plate, Radio Off-On
10201	Plate, Simultaneous Range-Voice
10203	Plate, Radio Compass Sensitivity
10205	Plate, Instrument Lighting
10206	Plate, Cockpit Lighting
10313	Cable Assembly, Fuselage Control Box to Instrument Panel

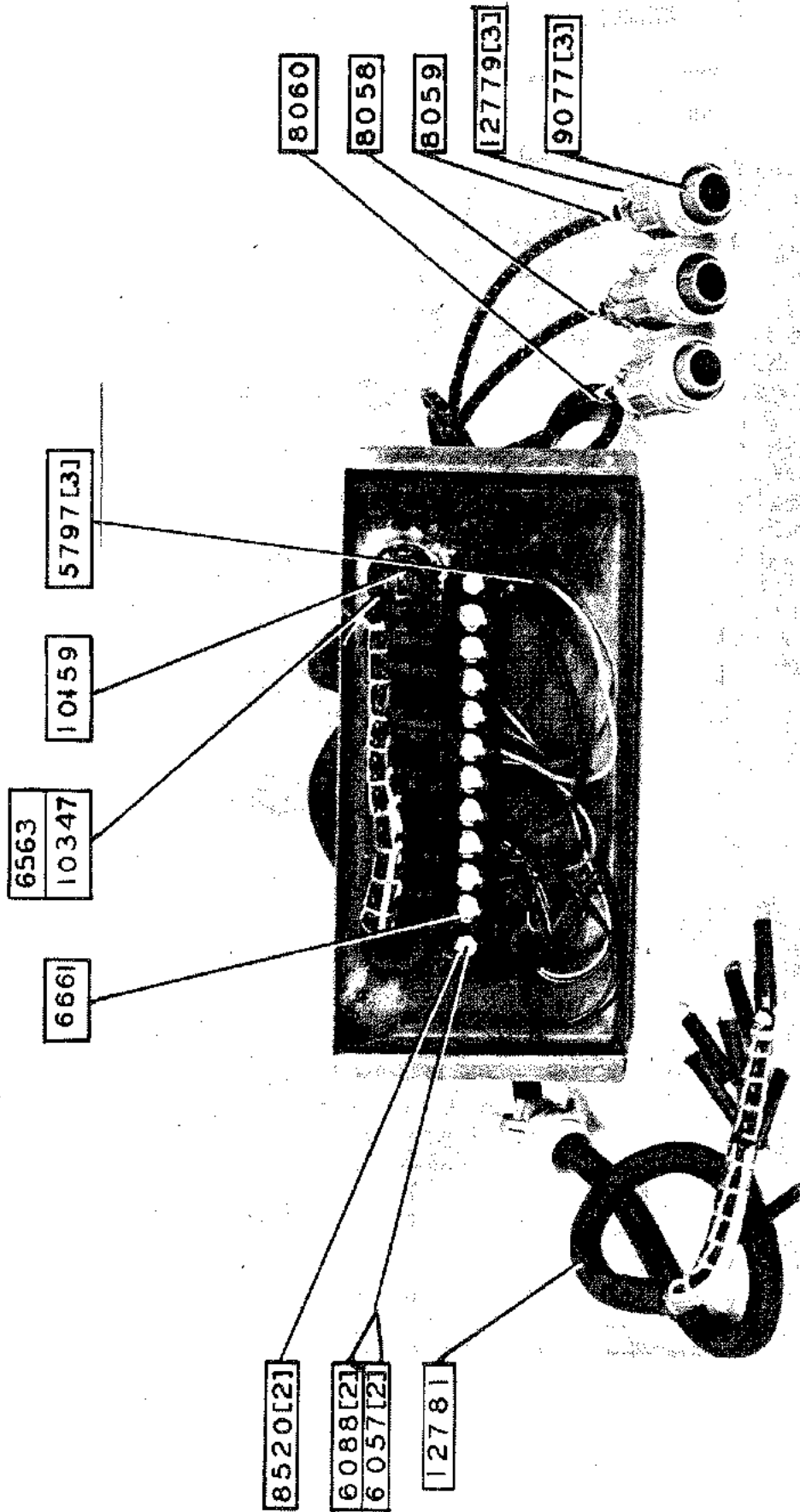
10330 Box Assembly, Fuselage Control Electrical-C-5

(Used on C5 Trainer Models)

Part No.	Nomenclature
5198	Plate, Microphone-Jack
5199	Plate, Phones-Jack
5826	Washer, Fibre, 5/16" Dia. Shoulder
6057	Nut, Hexagon Iron #6-32 x 5/16" x 7/64" Cad. Plt.
6101	Screw, R.H.I.M. #6-32 x 1/4" Cad. Plt.
6323	Washer, .190"-.188" x 3/8" x .064"-.060" Brass
6330	Screw, Parker-Kalon Type U-I Drive #00 x 1/8" Nickel
6333	Washer, #6 Internal Teeth Lock-Steel
6352	Screw, R.H.I.M. #6-32 x 2 1/2" Cad. Plt.
6563	Retainer, Tube Socket
6581	Switch, Power
6584	Potentiometer, Wirewound 1500 Ohms
6698	Connector, Cable
6715	Potentiometer, Wirewound-30 Ohms
6721	Knob, Control 19/32" High x 1 1/4" Long
6813	Jack, 3 Circuit Microphone
6900	Nut, Binding #3/8"-32 x 1/2" x 3/32" Hex.

10330 Box Assembly, Fuselage Control Electrical-C-5 (Continued)

Part No.	Nomenclature
6901	Nut, Double Chamfer #3/8-32 x 9/16" x 3/32" Hex. Cad. Plt.
7307	Screw, Slotted Headless I. Set #8-32 x 3/8" Cup Point
10013	Tube, Type 6V6 GT/G Radio
10041	Resistor, Wirewound; 250 Ohms, 1 Watt
10077	Screw, R.H.I.M. #6-32 x 1/4" Parkerized
10087	Grommet, Rubber 1/8" I.D. x 1/4" O.D.
10096	Button, 3/8" Dia. Hole
10097	Button, 1/2" Dia. Hole
10111	Connector, 12 Contact Chassis Type Socket
10114	Transformer, Microphone Input
10115	Transformer, Interphone Output
10119	Socket, 9 Contact "Octal" Style
10128	Potentiometer, 250,000 Ohms; Knob Type
10143	Strip, Terminal; 2 Terminal Type
10156	Plate, Capacitor Mounting Large Metal
10171	Shelf, Interphone Amplifier
10173	Connector, 33 Contact Chassis Type Plug
10175	Connector, 33 Contact End Clamp Socket
10176	Connector, 4 Contact Chassis Type Socket
10177	Connector, 2 Contact Chassis Type Socket
10183	Rheostat, Wire Wound; 1 Ohm
10185	Relay, Fuselage Control Box
10186	Resistor, 5000 Ohms-1/2 Watt
10187	Capacitor, Electrolytic; 40 Mfd.-40 Mfd.-25 Volt
10188	Strip, 4 Terminal
10189	Switch, Simultaneous Voice Range
10200	Plate, Radio Off-On
10201	Plate, Simultaneous Range-Voice
10203	Plate, Radio Compass Sensitivity
10205	Plate, Instrument Lighting
10206	Plate, Cockpit Lighting
10313	Cable Assembly, Fuselage Control Box to Instrument Panel
10328	Washer, 3/8" Internal Teethlock, Steel
10347	Washer, Phenolic "S" Type Socket
10378	Resistor, Wire Wound (Adjustable) 1500 Ohms-25 Watt
10384	Box Base Assembly, Fuselage Control C-5
12756	Socket, 8 Contact Black Bakelite
	Mountings for this Assembly on Fuselage Side
6297	Screw, R.H.I.W. #6 x 5/8" Cad. Plt.



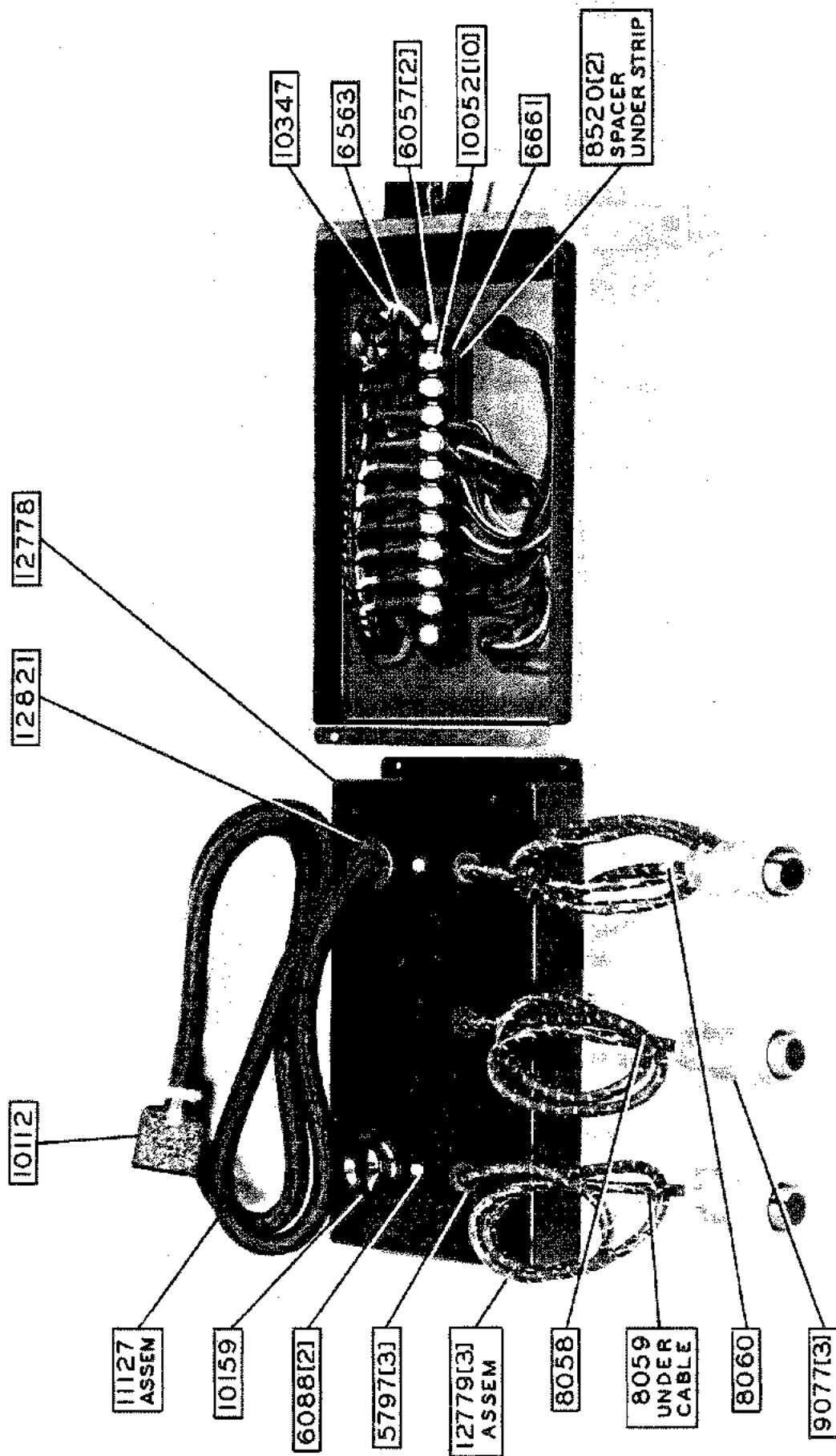
9420 BOX ASSEMBLY, REMOTE INSTRUMENT JUNCTION TYPE C-3

9420 Box Assembly, Remote Instrument

Junction Type C-3

(This Assembly supersedes Assembly No. 12820 for C3 Trainer Models, E & Esp Models. It is also used on E1, E2 Models. Old and New Assemblies are not interchangeable)

Part No.	Nomenclature
5797	Grommet, Rubber 19/64" I.D. - 7/16" O.D.
6057	Nut, Hexagon Iron #6-32 x 5/16" x 7/64" Cad. Plt.
6088	Screw, R.H.I.M. #6-32 x 1" Cad. Plt.
6563	Retainer, Tube Socket
6661	Terminal Strip, Telegon Connector
8058	Marker, Air Speed Cable
8059	Marker, Vertical Speed Cable
8060	Marker, Altimeter Cable
8520	Spacer, terminal Strip
9077	Plug and Clamp, Instrument Cable Connector
10159	Receptacle, Female
10347	Washer, Phenolic "S" Type Socket
12779	Cable Assembly, Remote Junction Box to Instrument Panel
12781	Cable Assembly, Interconnector Box Remote Junction-Box C-3 Trainer
6124	Mountings for this Assembly on Fuselage Side Screw, R.H.I.W. #4 x 3/8" Cad. Plt.



11128 BOX ASSEM., REMOTE INSTRUMENT JUNCTION

11128 Box Assembly, Remote Instrument Junction

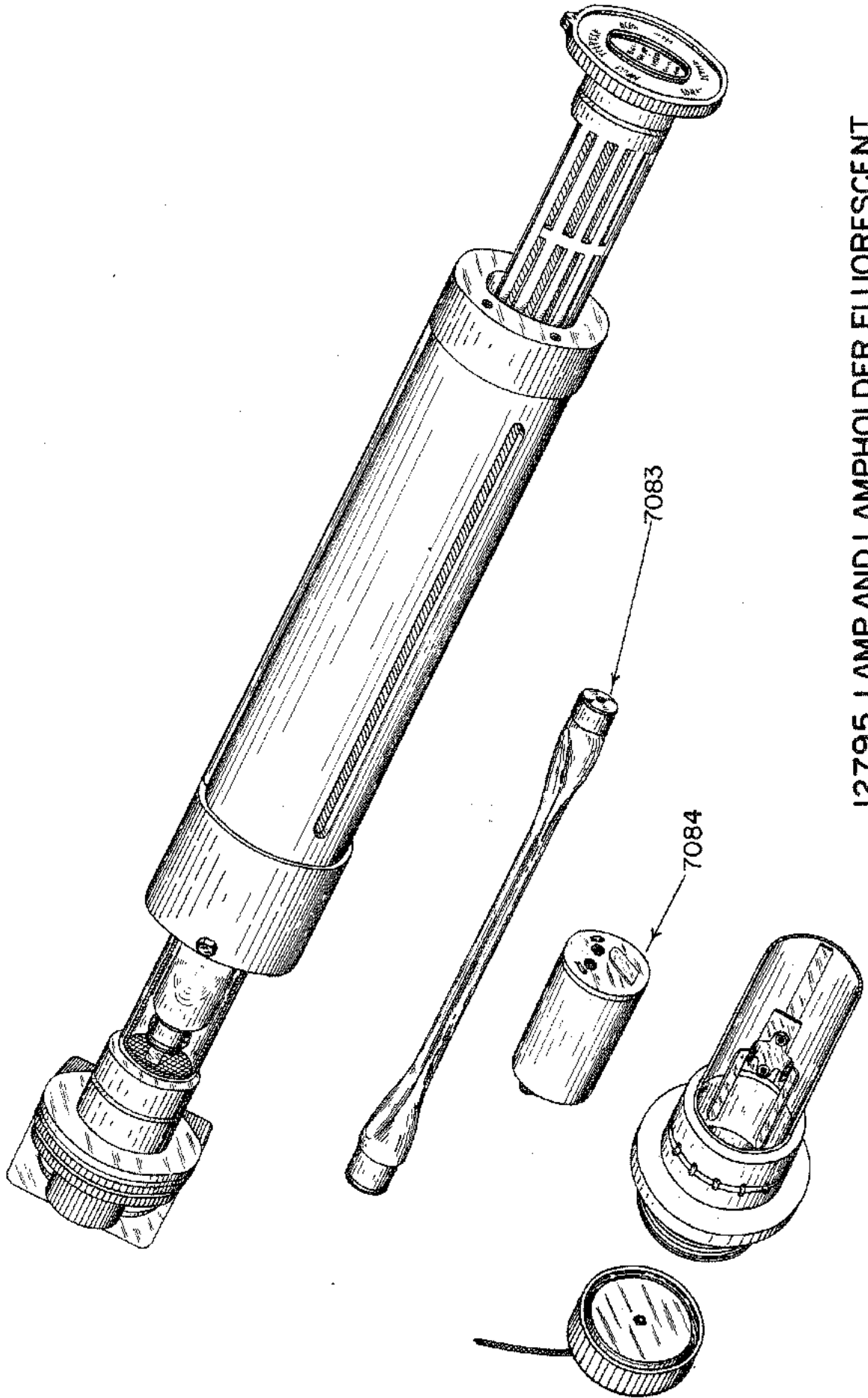
(Used on AN 2550-1 Trainer Models)

Part No.	Nomenclature
5797	Grommet, Rubber 19/64" I.D. x 7/16" O.D.
6057	Nut, Hexagon Iron #6-32 x 5/16" x 7/64" Cad. Plt.
6088	Screw, R.H.I.W. #6-32 x 1 Cad. Plt.
6563	Retainer, Tube Socket
6661	Terminal Strip, Telegon Connector
8058	Marker, Air Speed Cable
8059	Marker, Vertical Speed Cable
8060	Marker, Altimeter Cable
8520	Spacer, Terminal Strip
9077	Plug & Clamp, Instrument Cable Connector
10052	Terminal, Solder Lug; Flat Type #8 Hole
10112	Connector Plug, 12 Contact
10159	Receptacle, Female
10347	Washer, Phenolic "S" Type Socket
11127	Cable Assembly, Interconnector Box to Remote Junction Box
12778	Box, Remote Instrument Junction
12779	Cable Assembly, Remote Junction Box to Instrument Panel
12821	Grommet, 1/2 Dia. Hole - 13/16 Dia. Groove - 1 1/16 O.D.

Mountings for this Assembly on Fuselage Side

6124	Screw, R.H.I.W. #4 x 3/8" Cad. Plt.
------	-------------------------------------

L-187



12795 LAMP AND LAMPHOLDER, FLUORESCENT

C-2237 Light Assembly, Instrument (Left)

(Used on all Trainer Models)

Part No.	Nomenclature
6055	Nut, Hexagon Iron #1/4" -20 x 7/16" x 3/16" Cad. Plt.
6217	Screw, R.H.I.M. #1/4" -20 x 5/8" Cad. Plt.
6825	Plug, Double Contact
6826	Socket, Double Contact
6827	Lamp, Miniature
8762	Bolt Assembly, Instrument Light Swivel (Left)
8764	Case, Instrument Light
8766	Spring, Instrument Light

8767 Light Assembly, Instrument (Right)

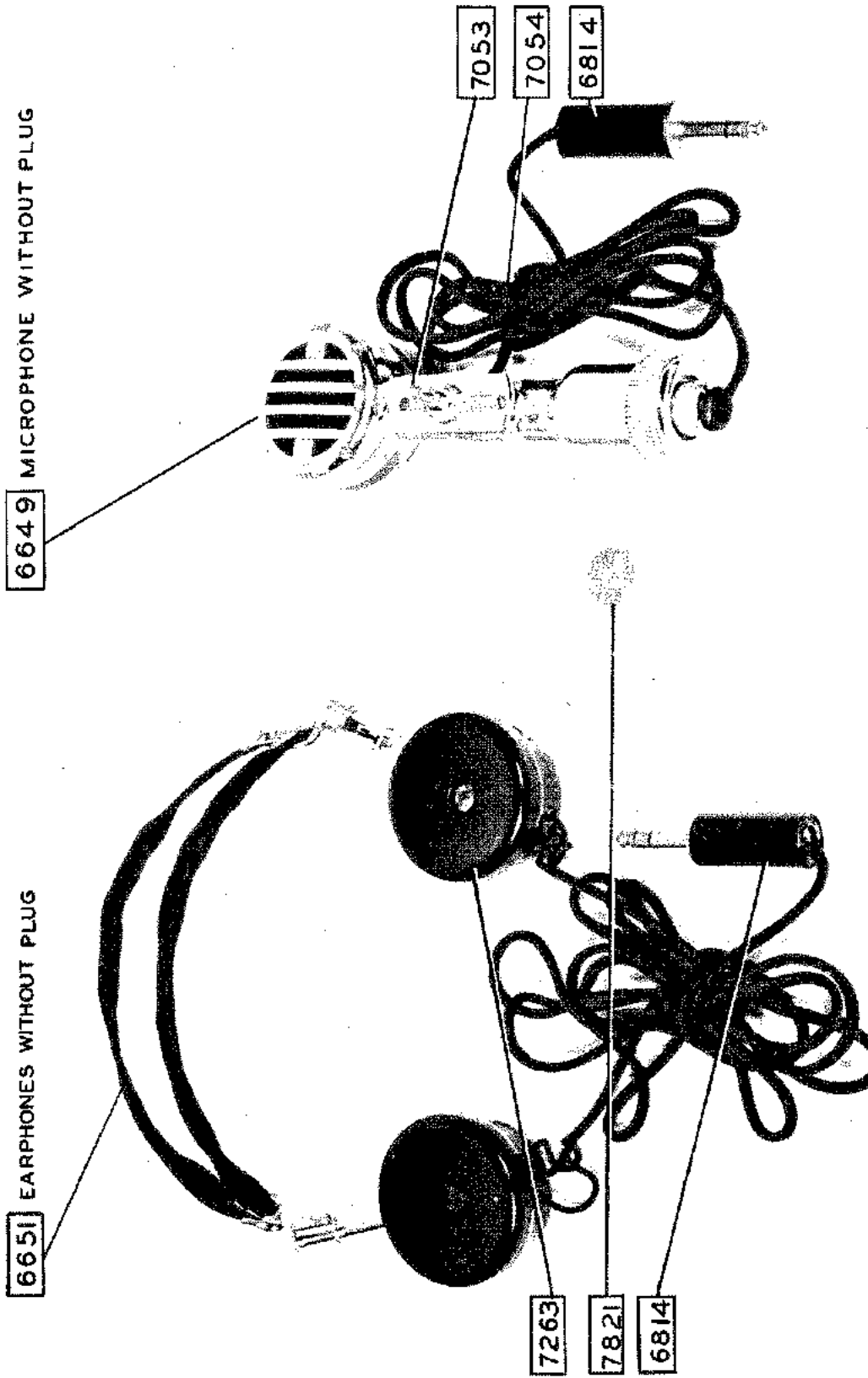
(This Assembly supersedes Assembly No. C-2237-1A for all Trainer Models. It is interchangeable).

Part No.	Nomenclature
6011	Screw, R.H.I.W. #8 x 3/4" Cad. Plt.
6055	Nut, Hexagon Iron #1/4" -20 x 7/16" x 3/16" Cad. Plt.
6217	Screw, R.H.I.M. #1/4" -20 x 5/8" Cad. Plt.
6825	Plug, Double Contact
6826	Socket, Double Contact
6827	Lamp, Miniature
8763	Bolt Assembly, Instrument Light Swivel (Right)
8764	Case, Instrument Light
8765	Bracket, Instrument Light
8766	Spring, Instrument Light

12795 Lamp and Lampholder, Fluorescent

(Used on C3 AN-2550-1 Trainer Models)

Part No.	Nomenclature
7083	Bulb, Mazda 4 Watt, Blue Fluorescent, FA-5 Base
7084	Switch, Fluorescent Lamp Starter



6651 EARPHONES WITHOUT PLUG

6649 MICROPHONE WITHOUT PLUG

7263

7821

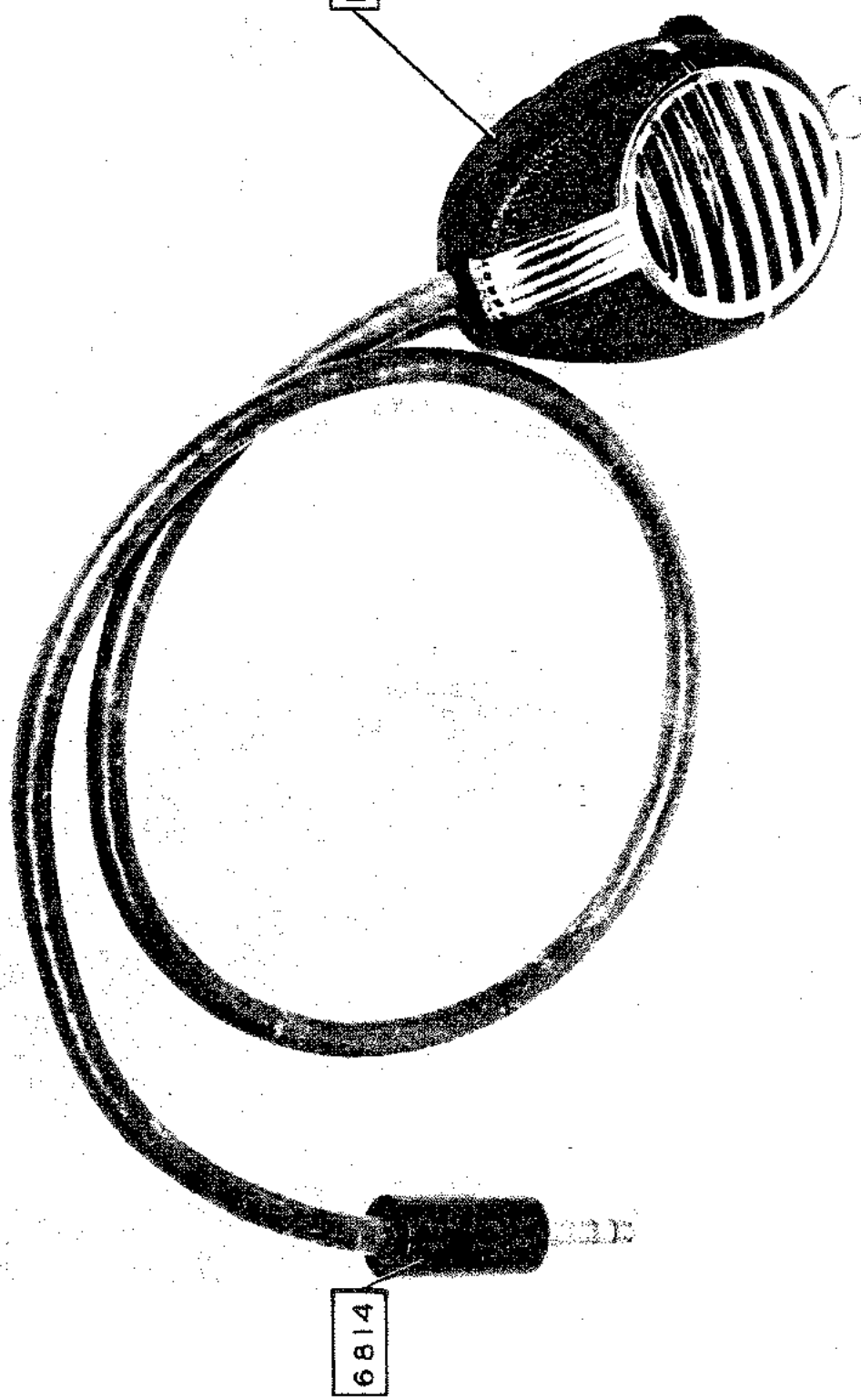
6814

7053

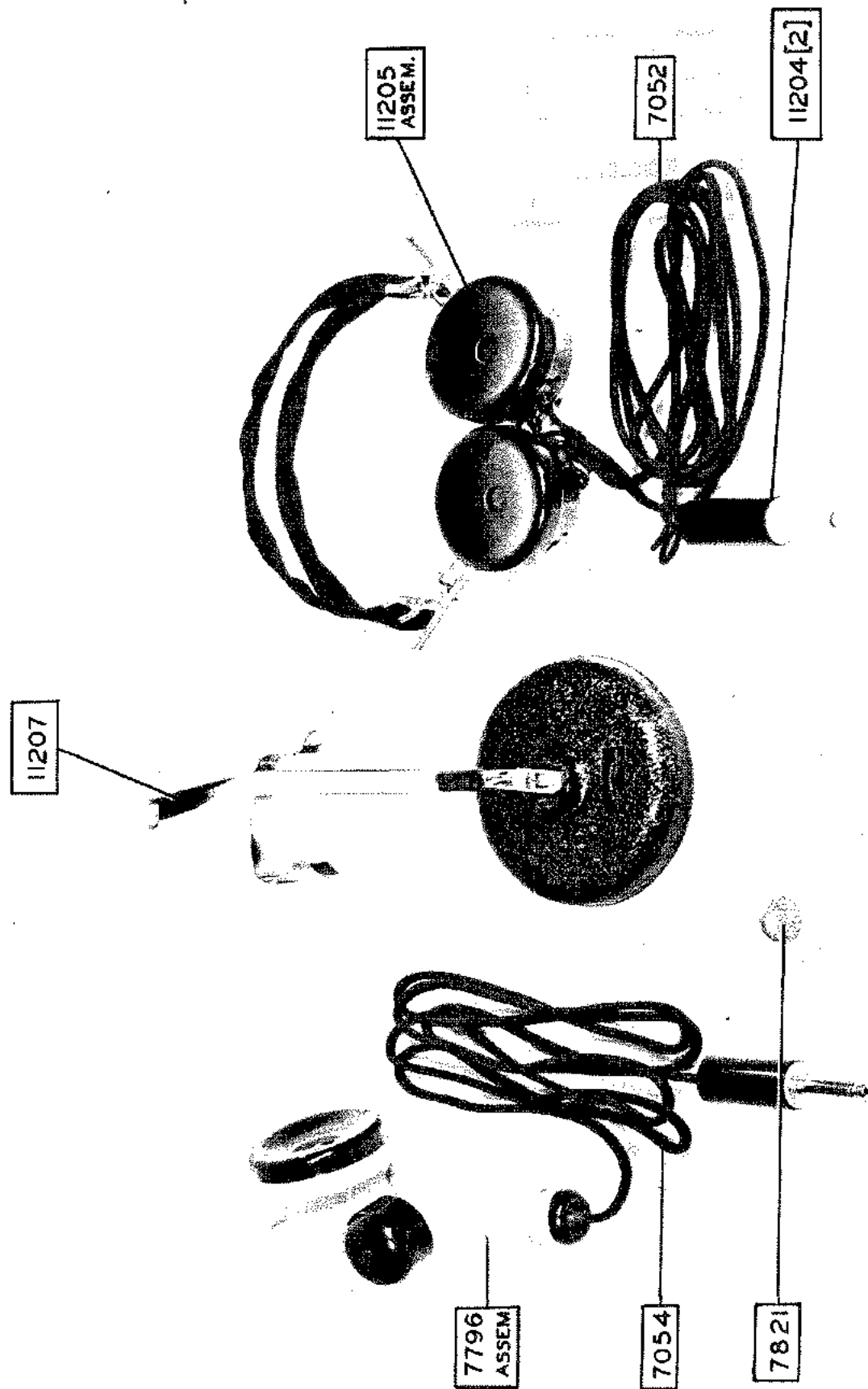
7054

6814

7195 HEAD SET ASSEMBLY, C-3 TRAINER
 7136 HEAD SET ASSEMBLY, TYPE C,D,E TRAINER
 7137 MICROPHONE ASSEMBLY, TYPE C-3, C-5 TRAINER
 7138 MICROPHONE ASSEMBLY, TYPE C, D, E TRAINER



11257 MICROPHONE ASSEM, MILITARY TYPE HAND SPECIAL



MICROPHONE AND HEADSET ASSEMBLIES

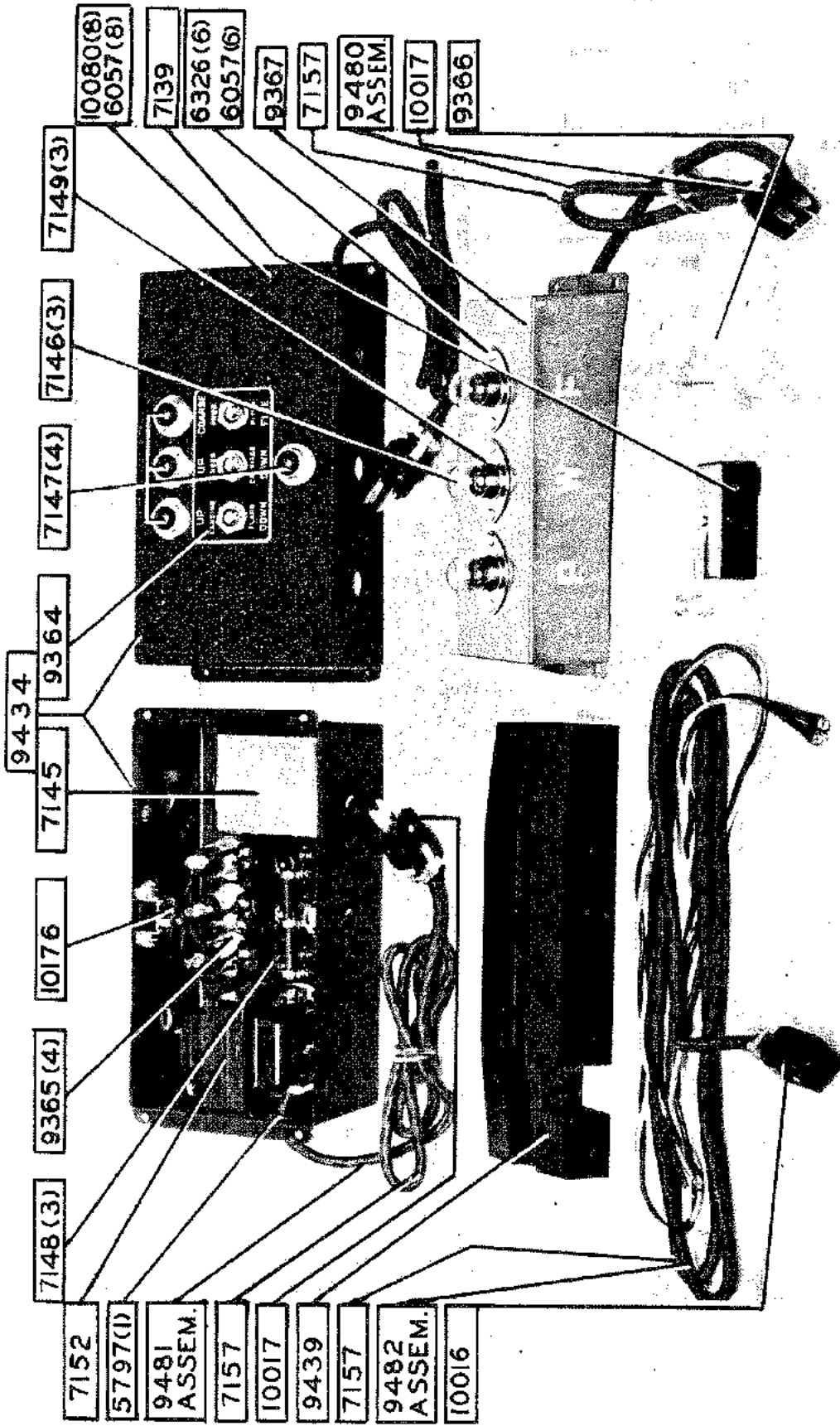
Microphone and Head Set Assemblies

(Used on AN 2550-1 Trainer Models)

Part No.

Nomenclature

7052	Cord, Radio Head Set
7054	Cord, Microphone
7796	Microphone
7821	Granules, Carbon
11204	Plug, 2 Circuit Microphone
11205	Head Set Assembly, Standard
11207	Stand, Desk Microphone



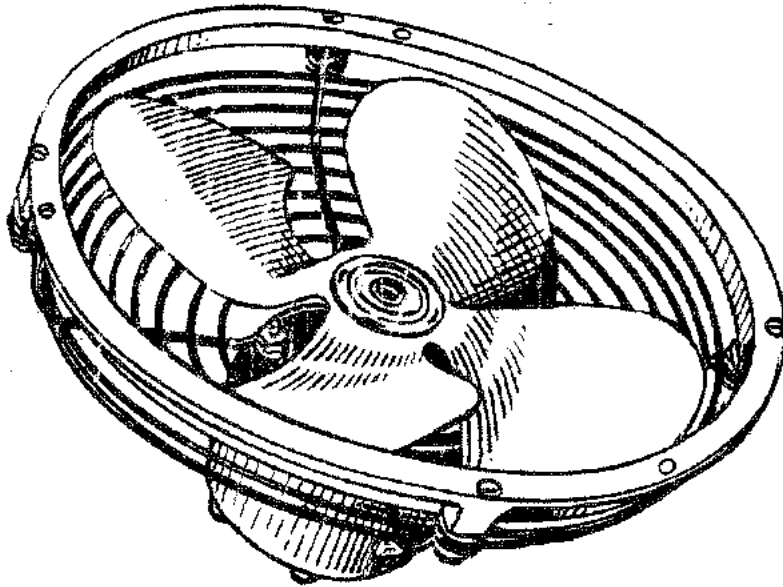
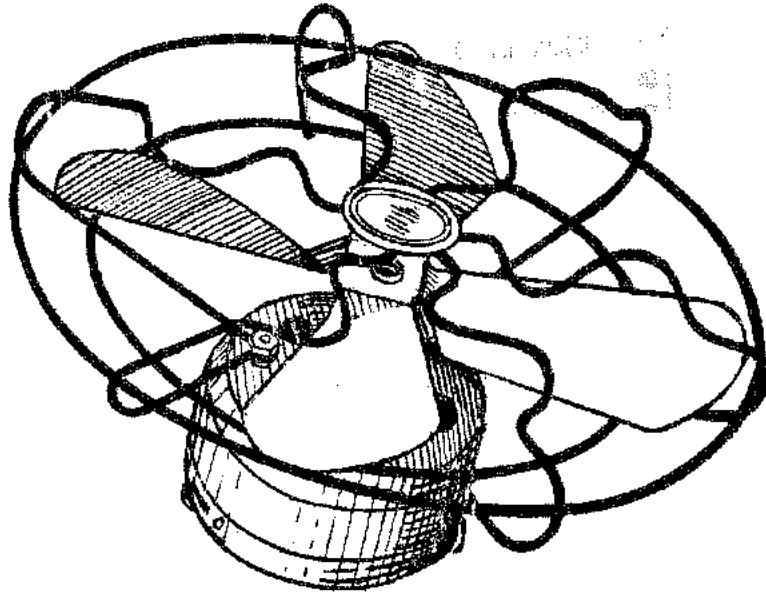
9436 INSTALLATION LANDING FLAP, PROPELLER PITCH AND UNDERCARRIAGE

9436 Installation Landing Flap, Propeller Pitch
and Undercarriage

(This Assembly is used on AN-2550-1 Trainer Models.
However, it may be installed on any Trainer Model.
For complete field installation refer to Group No.
90005.)

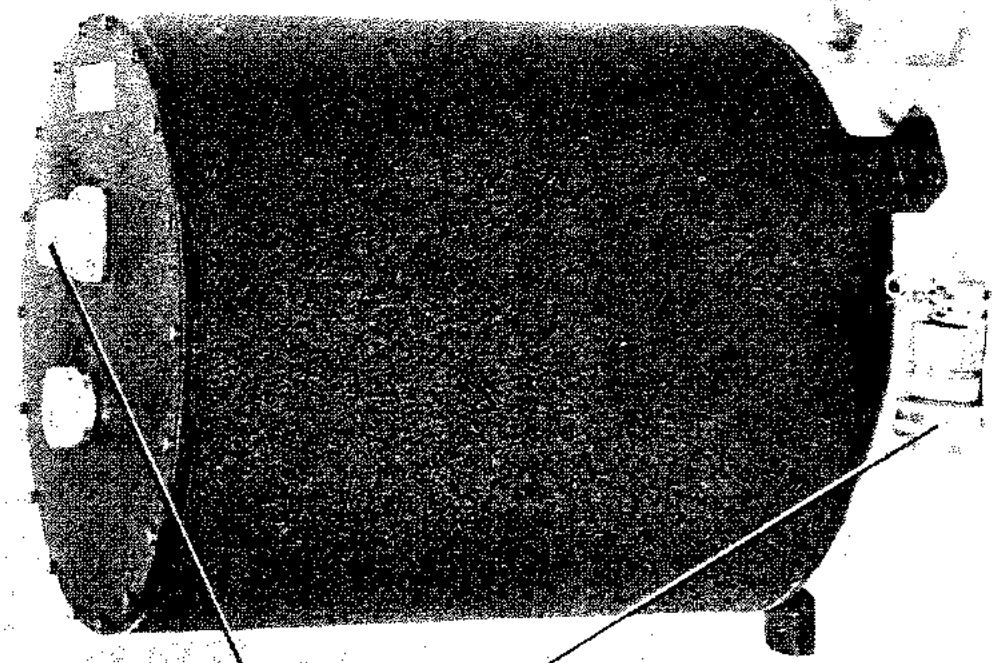
Part No.	Nomenclature
5797	Grommet, Rubber 19/64" I.D. x 7/16" O.D.
6057	Nut, Hexagon Iron #6-32 x 5/16" x 7/64" Cad. Plt.
6326	Screw, R.H.I.M. #6-32 x 5/16" Cad. Plt.
7139	Switch, Roller Leaf Micro
7145	Buzzer
7146	Lamp, 7.0 Volt 3 CP
7147	Lamp, 6-8 Volts
7148	Switch, S.P.D.T. Toggle
7149	Socket, Single Contact Bayonet
7152	Transformer, Signal Light
7157	Cable, No. 18 Gauge 4 Conductor
9364	Plate, Indicator Name
9365	Socket, Miniature Bayonet
9366	Bracket, Throttle Switch Mounting
9367	Box Assembly, Hood Indicator
9434	Box Assembly, Indicator Control
9439	Block, Indicator Box Support
9480	Cable Assembly, Hood Indicator
9481	Cable Assembly, Indicator Control
9482	Cable Assembly, Throttle Switch
10016	Connector, Socket 4 Contact
10017	Connector, Plug 4 Contact
10080	Screw, R.H.I.M. #6-32 x 5/16" Painted
10176	Connector, 4 Contact Chassis Type Socket

8698 FAN, VENTILATING



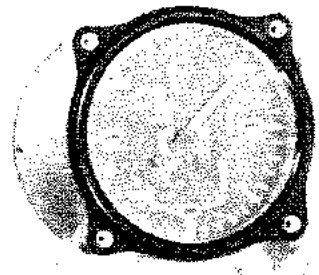
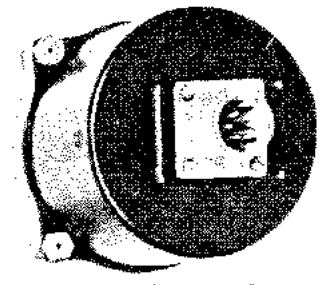
9187 FAN, VENTILATING

344 E-911 USED IN VERTICAL SPEED TRANSMITTER ONLY
315 E-901 USED IN VERTICAL SPEED INDICATORS

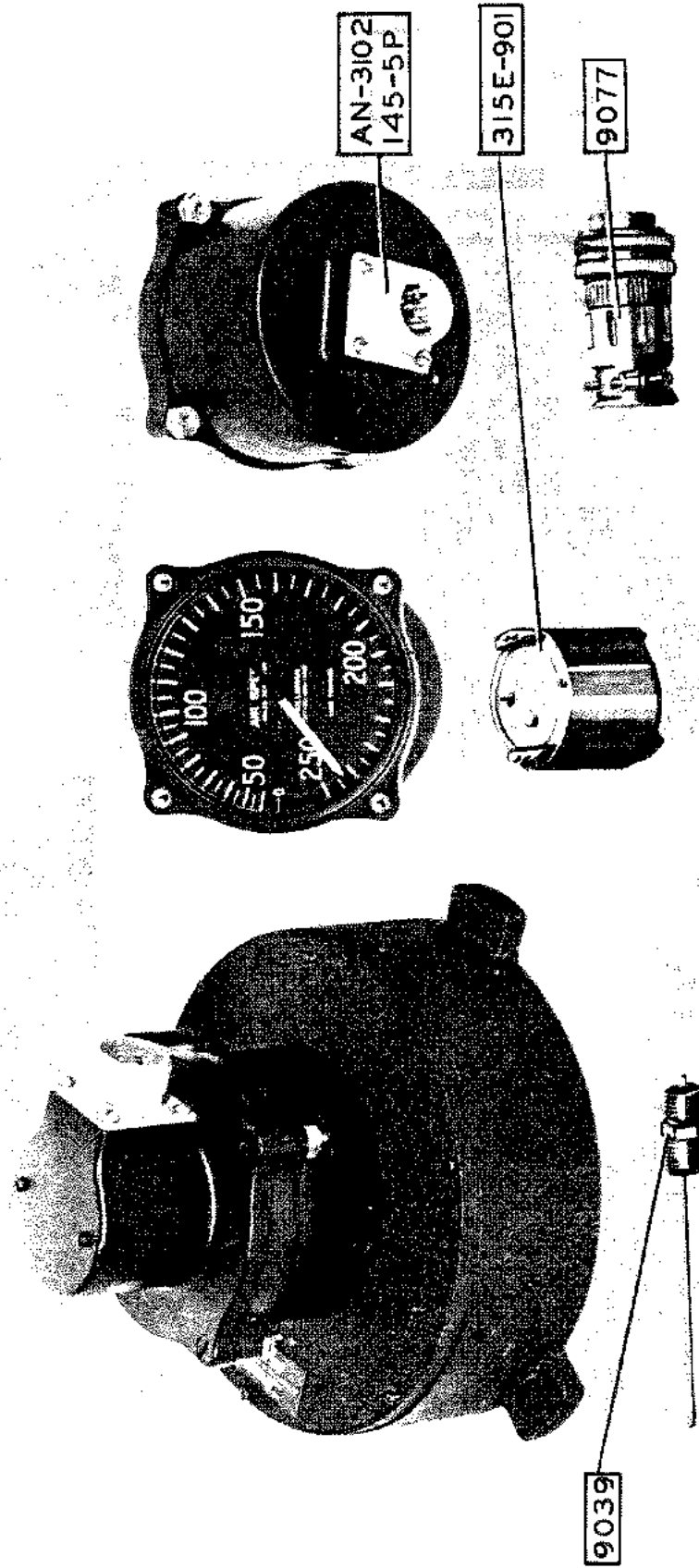


AN 3102
-14S-5P

9077



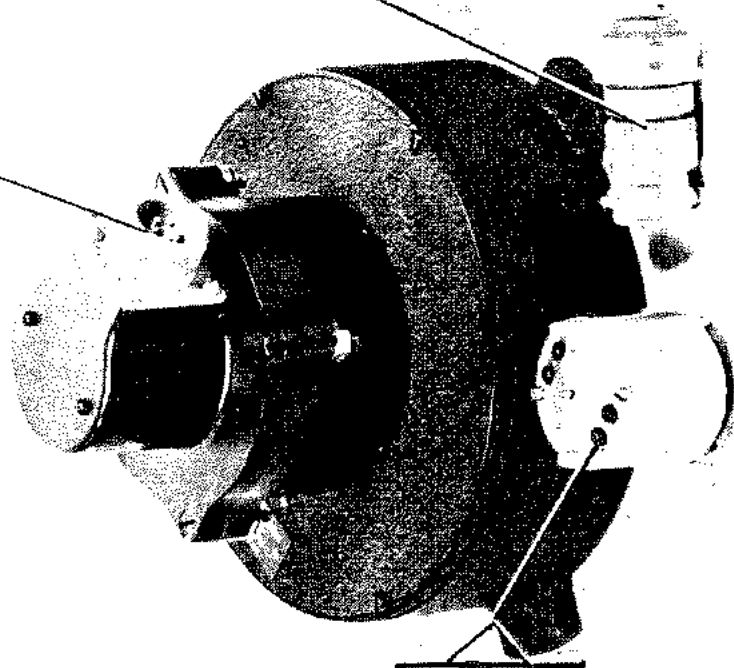
VERTICAL SPEED TRANSMITTER AND VERTICAL SPEED INDICATORS
ORDER BY TYPE NUMBERS



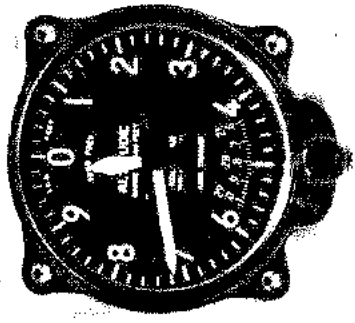
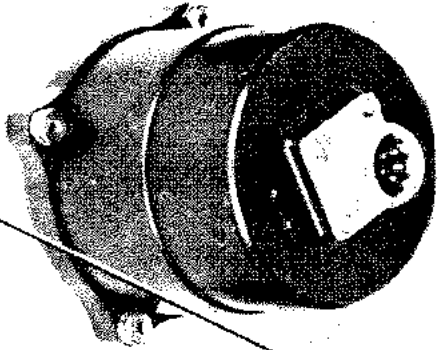
AIR SPEED TRANSMITTER AND AIR SPEED INDICATORS
ORDER BY TYPE NUMBERS

AN-3102-14S-5P

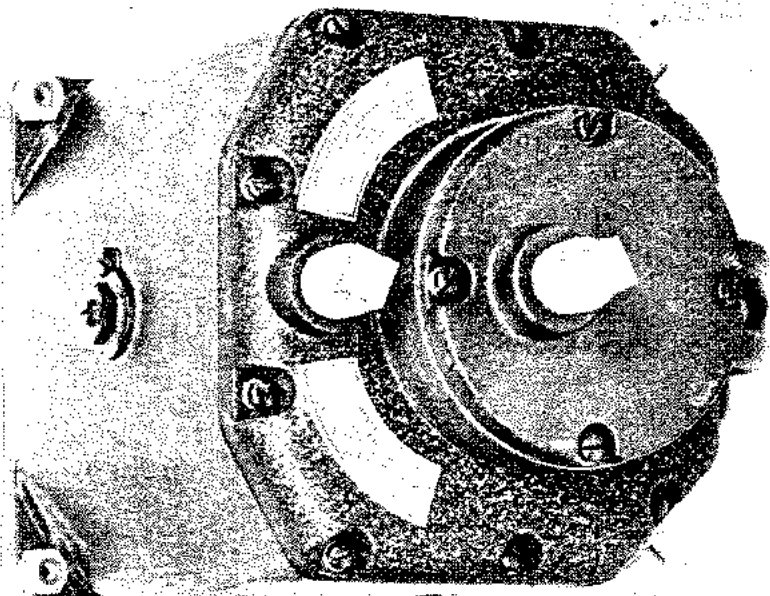
9077



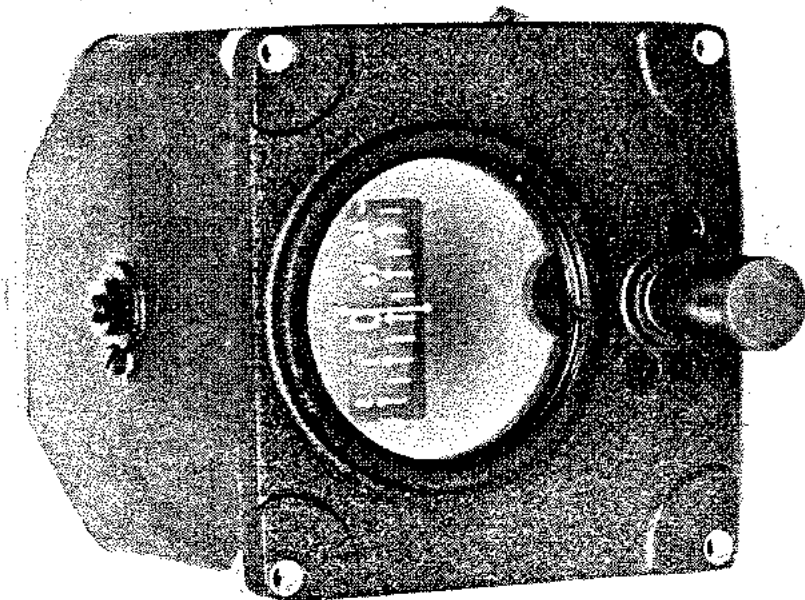
315 E-911 USE IN ALTIMETER TRANSMITTER ONLY	315 E-901 USE IN ALTIMETER INDICATORS
---	---



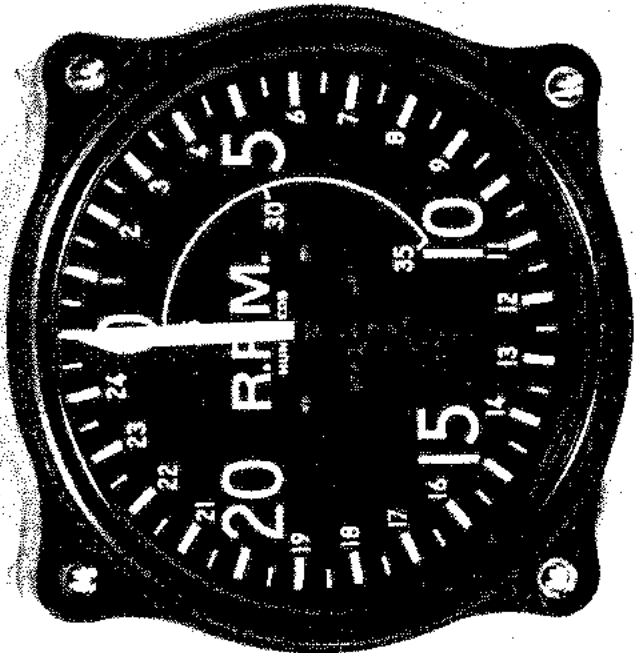
SENSITIVE ALTIMETER TRANSMITTER AND SENSITIVE
ALTIMETER INDICATOR (ORDER BY TYPE NUMBER)



7039



DIRECTIONAL GYRO
ORDER BY TYPE NUMBER



5079

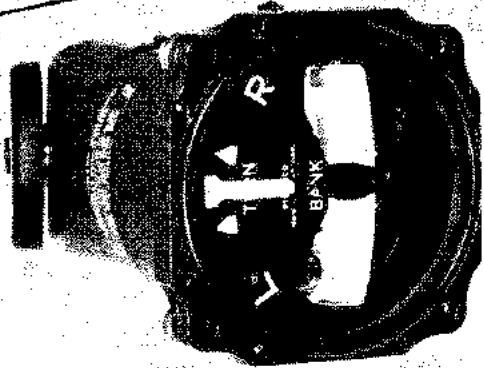
8746
5569
5570

11115
ASSEM

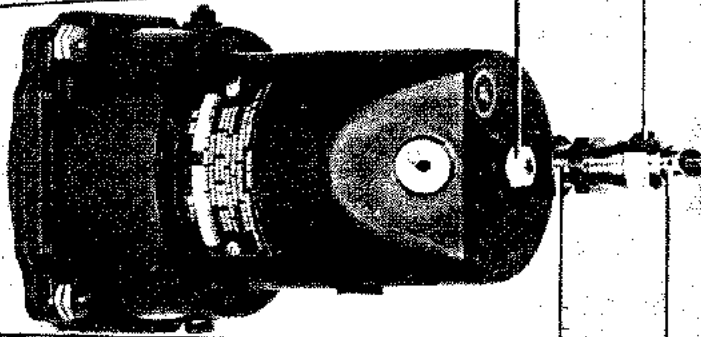
11209

TACHOMETER
[ORDER BY TYPE NUMBER J

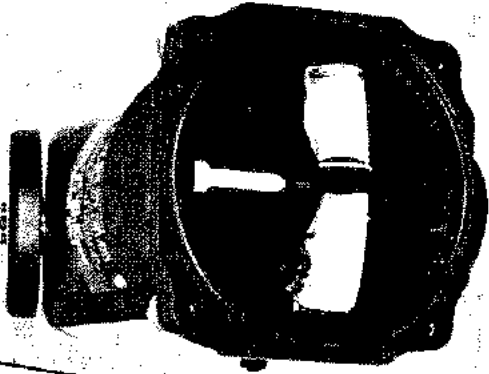
800-4



7.80-4



0-278



805-4

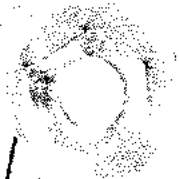
PB-16051

PB-13643

PB-17539

PB-17538

PB-13362



TURN AND BANK INDICATORS

TWO NEEDLE WIDTH AND ONE NEEDLE WIDTH

ORDER BY TYPE NUMBERS

Vertical Speed Transmitter and Vertical Speed Indicators

(Order By Type Numbers)

Part No.	Nomenclature
9077	Plug and Clamp, Instrument Cable Connector Telegon Unit (315E-901) Telegon Unit (344E-911) Receptacle (Type AN-3102-14S-5P)
8909	Mountings for Indicators Screw, Instrument Mounting
6097	Mountings for Transmitter Screw, R.H.I.M. #8-32 x 5/8" Cad. Plt.

Air Speed Transmitter and Air Speed Indicators

(Order By Type Numbers)

Part No.	Nomenclature
9039	Fitting Assembly, Airspeed Instrument Capillary Tube
9077	Plug and Clamp, Instrument Cable Connector Telegon Unit (315E-901) Receptacle (Type AN-3102-14S-5P)
8909	Mountings for Indicators Screw, Instrument Mounting
6097	Mountings for Transmitter Screw, R.H.I.M. #8-32 x 5/8" Cad. Plt.

Sensitive Altimeter Transmitter and Sensitive Altimeter Indicators

(Order By Type Numbers)

Part No.	Nomenclature
9077	Plug and Clamp, Instrument Cable Connector Telegon Unit (Type 315E-901) Telegon Unit (Type 315E-911) Receptacle (Type AN-3102-14S-5P)

Sensitive Altimeter Transmitter and Sensitive Altimeter Indicators (Con'd)

Part No.

Nomenclature

Mountings for Indicators

8909 Screw, Instrument Mounting

Mountings for Transmitter

6907 Screw, R.H.I.M. #8-32 x 5/8" Cad. Plt.

Directional Gyro

(Order by Type Number)

7039 Connector, Directional Gyro Flex.

Mountings for this Instrument on Panel

8905 Screw, Gyro and Horizon Mounting

Tachometer

(Order by Type Number)

(Used on all Trainer Models)

5569 Screen, Air Filter

5570 Plug, Air Filter

8746 Cap, Air Filter

11209 Connector Assembly, Tachometer

11115 Filter Assembly, Tachometer Air

(NOTE: Assemblies No. 11209 and 11115 are used on AN-2550-1 Trainer Models)

5079 Fitting Assembly, Capillary Tube-Tachometer

(NOTE: Assembly No. 5079 used on all Trainer Models except AN-2550-1)

Mountings for Tachometer on Instrument Panel

8909 Screw, Instrument Mounting

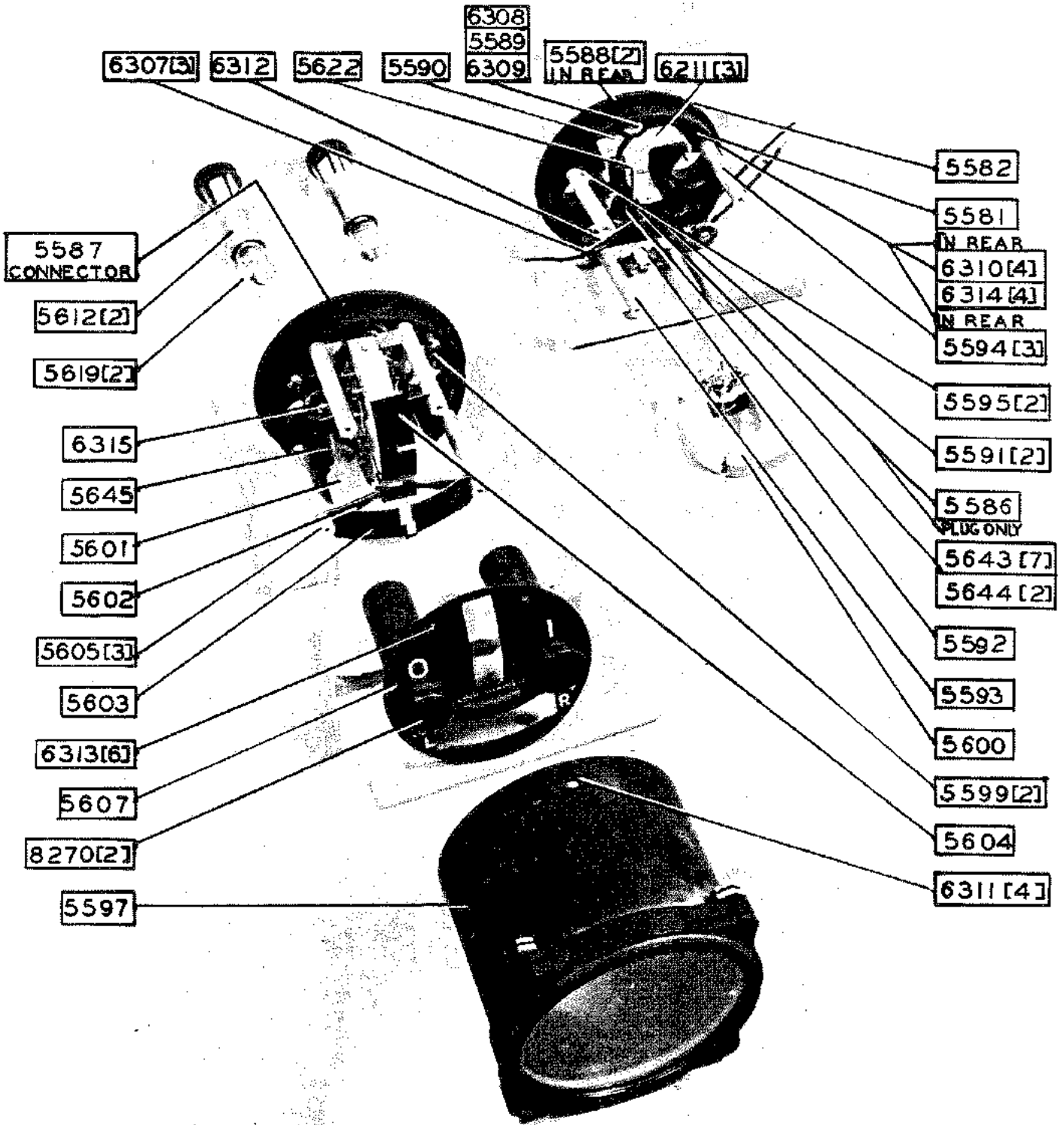
Turn and Bank Indicators

Two Needle Width

One Needle Width

(Order by Type Numbers)

Part No.	Nomenclature
	Union Cone (800-4)
	Pipe Plug (0-278)
	Union Nipple (780-4)
	Union Nut (805-4)
	Air Filter Assembly K-1 (PB-13362)
	Body and Hood Assembly (PB-13643)
	Filter Assembly (PB-16051)
	Snap Ring (Small) PB-17538
	Snap Ring (Large) PB-17539
	Mountings for this Instrument on Panel
8909	Screw, Instrument Mounting



5580 INDICATOR, FLIGHT PATH TYPE #1

5580 Indicator, Flight Path Type #1

(Used on D, D1, D2, E, E2, Trainer Models)

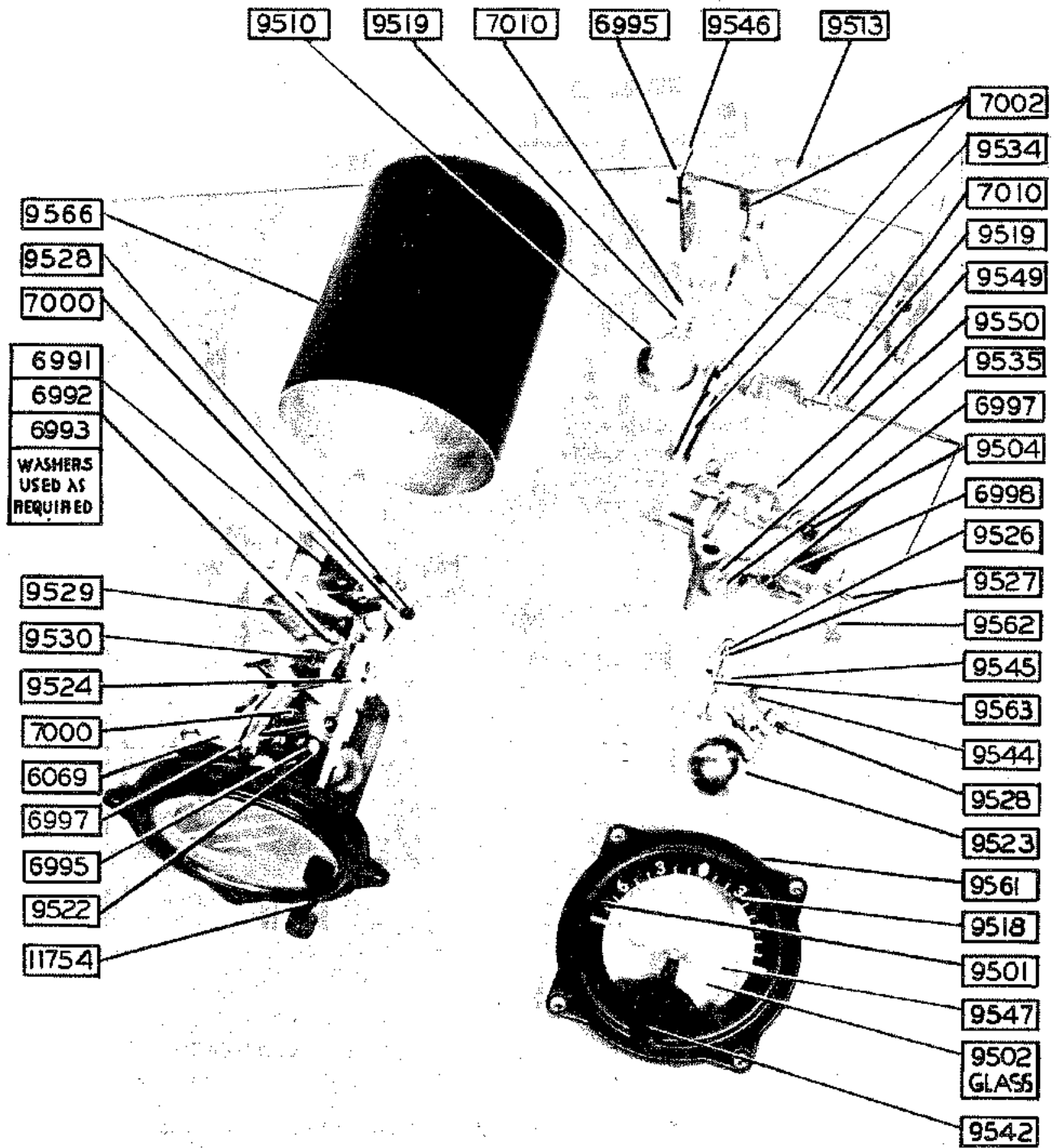
Part No.

Nomenclature

5581 Base Assembly
5582 Cover Assembly, Rear
5586 Plug, 6 Pole
5587 Connector, 6 Pole Cable
5588 Spring, Lamp Terminal
5589 Spacer, Terminal Spring
5590 Bracket, Lower Mounting
5591 Spacer, Mounting Bracket
5592 Bracket, Upper Mounting
5593 Stud, Type A Mounting
5594 Stud, Type B Mounting
5595 Spacer, Mounting Stud
5597 Case, Instrument
5599 Spool, Series Resistance
5600 Vertical Mechanism
5601 Horizontal Mechanism
5602 Support, Magnet
5603 Scale, Lower
5604 Scale, Upper
5605 Stud, Type C Mounting
5607 Dial
5612 Socket Assembly, Lamp
5619 Neon Lamp
5622 Plug Assembly, 6 Pole
5643 Lead, 1-1/4" Connecting
5644 Lead, Connecting 2-1/8"
5645 Lead, 2-5/8" Connecting
6211 Screw, R.H.B.M. #4-36 x 1/4" Cad. Plt.
6307 Screw, Fil. H.B.M. #2-64 x 3/16" Black Oxidized or Lacquered
6308 Screw, R.H.B.M. #6-32 x 3/4" White Nickel
6309 Nut, Hexagon Brass #6-32 x 1/4" x 3/32" Cad. Plt.
6310 Screw, R.H.B.M. #5-40 x 7/8" Cad. Plt.
6311 Screw, F.H.B.M. #4-36 x 1/4" Cad. Plt.
6312 Screw, R.H.B.M. #4-36 x 5/8" White Nickel
6313 Screw, Flight Path Indicator
6314 Washer, #4 Internal Teeth Lock-Steel
6315 Screw, R.H.B.M. #4-36 x 1-1/8" White Nickel
8270 Light Shield Assemb., Flight Path

Mountings for this Assembly on Instrument Panel

8909 Screw, Instrument Mounting



9570 HORIZON ASSEMBLY, ARTIFICIAL

9570 Horizon Assembly, Artificial

(Used on all Trainer Models)

Part No.	Nomenclature
6069	Screw, Fil. H.I.M. #8-32 x 3/8" Cad. Plt.
6991	Washer, .130"-.126" x .286"-.270" x .002" Brass
6992	Washer, .130"-.126" x .286"-.270" x .011"-.009" Brass
6993	Washer, .130"-.126" x .286"-.270" x .048"-.043" Brass
6995	Screw, St. Side B.H.I.M. #5-40 x 1/4" Cad. Plt.
6997	Screw, Fil. H.I.M. #5-40 x 1/2" Cad. Plt.
6998	Screw, Fil. H.I.M. #5-40 x 5/8" Cad. Plt.
7000	Nut, Hexagon Iron #5-40 x 1/4" x 3/32" Cad. Plt.
7002	Screw, Bristo Headless Set #5-40 x 1/4" Cup Point
7010	Screw, St. Side B.H.I.M. #5-40 x 3/16" Cad. Plt.
9501	Ring, Artificial Horizon Bezel Glass Snap
9502	Glass, Artificial Horizon Bezel
9504	Bearing, Ball (R2A)
9510	Pendulum, Artificial Horizon Bank
9513	Frame, Artificial Horizon
9518	Dial, Artificial Horizon Bezel Face
9519	Plate, Artificial Horizon Pendulum Rod
9522	Dial Assembly, Artificial Horizon Horizon
9523	Pendulum, Artificial Horizon Pitch
9524	Rod, Artificial Horizon Pitch Bar Actuating
9526	Rod, Artificial Horizon Dash Pot Piston Actuating
9527	Collar, Artificial Horizon Dash Pot Piston Actuating Rod
9528	Screw, Artificial Horizon Pivot
9529	Shaft, Artificial Horizon Bank Pendulum
9530	Shaft, Artificial Horizon Gimbal Ring Pivot
9534	Weight, Artificial Horizon Pitch Arm Balance
9535	Weight, Artificial Horizon Gimbal Ring Balance
9542	Knob, Artificial Horizon Airplane Slide
9544	Shaft Assembly, Artificial Horizon Pitch
9545	Arm Assembly, Artificial Horizon Pitch Shaft
9546	Bracket Assembly, Artificial Horizon Case
9547	Slide Assembly, Artificial Horizon Airplane
9549	Bar Assembly, Artificial Horizon Pitch
9550	Ring Assembly, Artificial Horizon Gimbal
9561	Cover and Dial Assembly, Artificial Horizon
9562	Piston Assembly, Artificial Horizon Bank Dash Pot
9563	Piston Assembly, Artificial Horizon Pitch Dash Pot
9566	Case Assembly, Artificial Horizon
11754	Pin, Groov 3/64" x 1/4" Type I

Mountings for this Instrument On Panel

8905 Screw, Gyro and Horizon Mounting

Marker Beacon Lamp Assembly

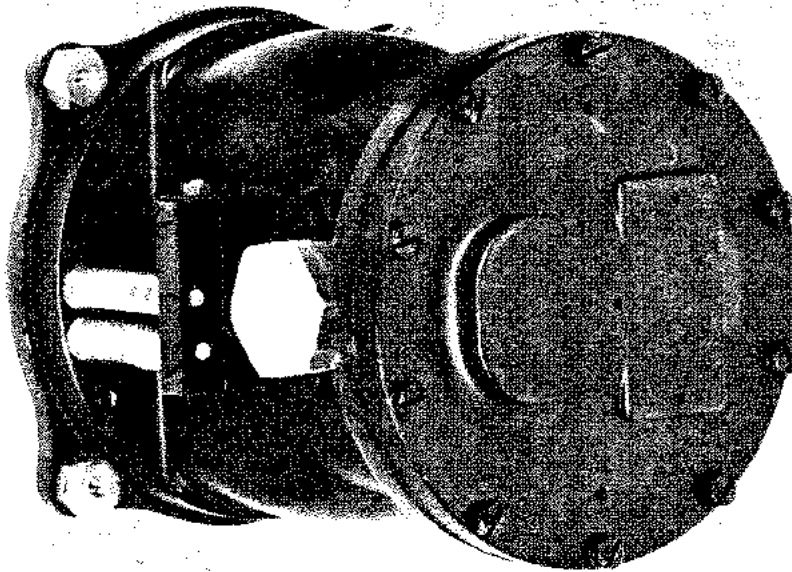
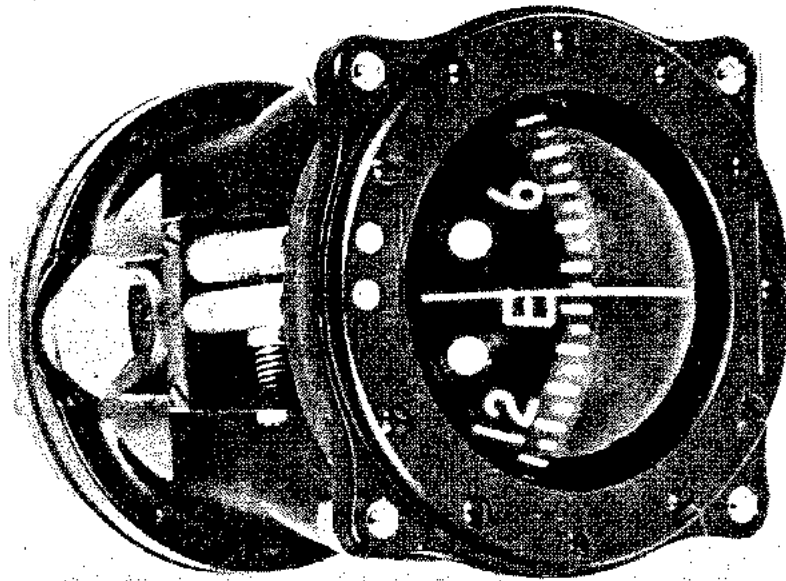
(These parts are used on C5, Esp. Trainer Models)

Part No.	Nomenclature
5619	Neon Lamp
6028	Screw, R.H.B.M. #6-32 x 3/4" Bright Dip
6309	Nut, Hexagon Brass #6-32 x 1/4" x 3/32" Cad. Plt.
6889	Screw, Binding Head Type "Z" #2 x 1/8" Cad. Plt.
6937	Holder, Marker Beacon Lamp
8934	Bracket, Marker Beacon Lamp Holder
12870	Lamp, 13 Volt, 3 Cp (Note: Used on C-3 Trainers)

5036 Indicator Assembly, Marker Beacon

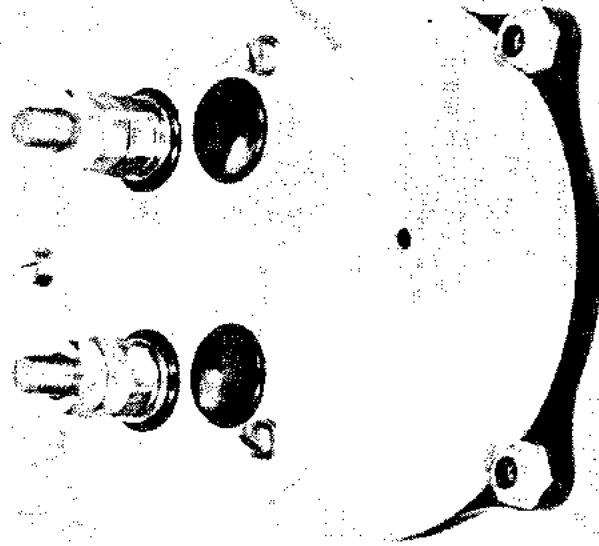
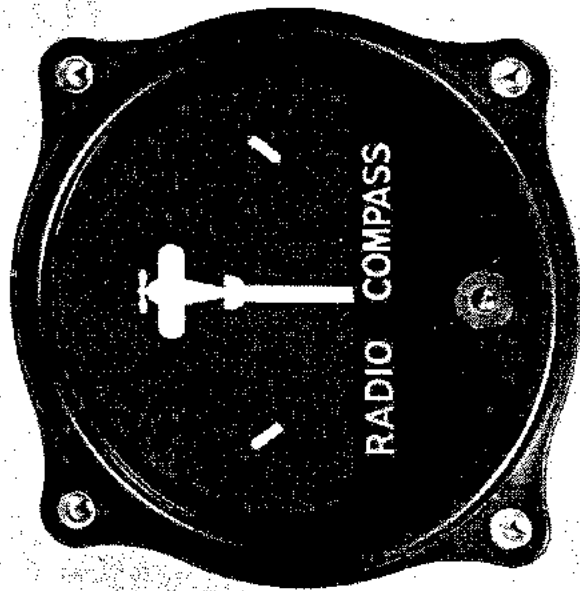
(This Assembly supersedes Assembly No. C-2400 and is used on C, C2 Trainer Models. Assembly No. 5036 is interchangeable as a unit with Assembly No. C-2400)

Part No.	Nomenclature
5036	Indicator Assembly, Marker Beacon
5043	Socket, Marker Beacon Indicator Lamp
5044	Dial Assembly, Marker Beacon Indicator
6502	Jack, Phone Tip
6506	Lamp, Screw Base 14 Volts-25 Amp.
	Mountings for this Assembly on Instrument Panel
8909	Screw, Instrument Mounting

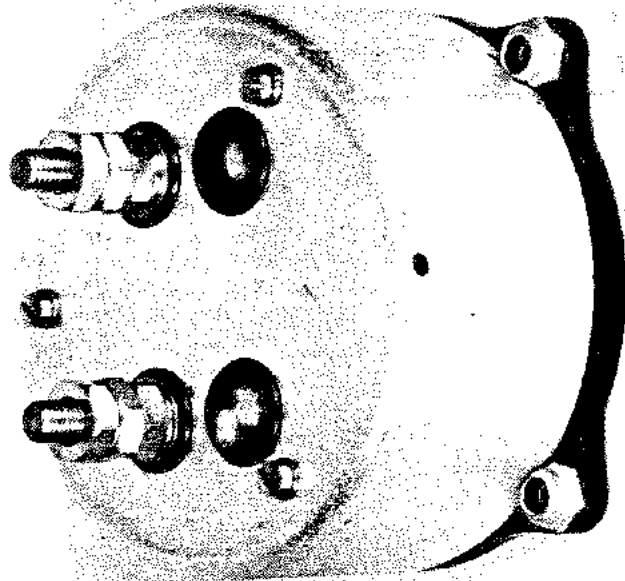
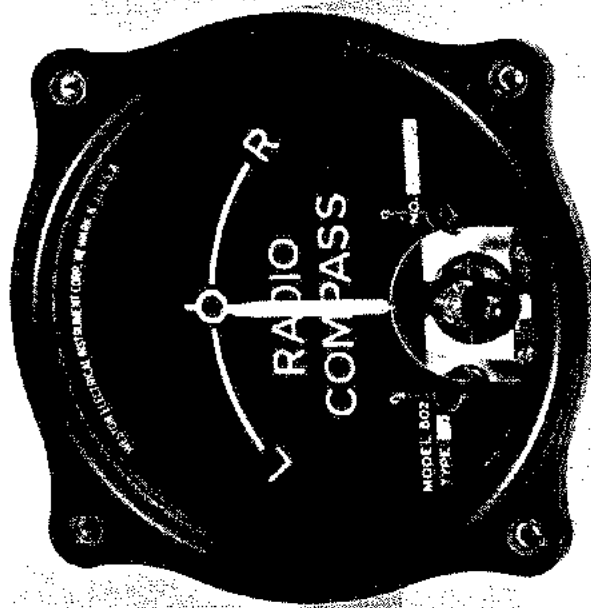


TYPE 132 - B

MAGNETIC COMPASS

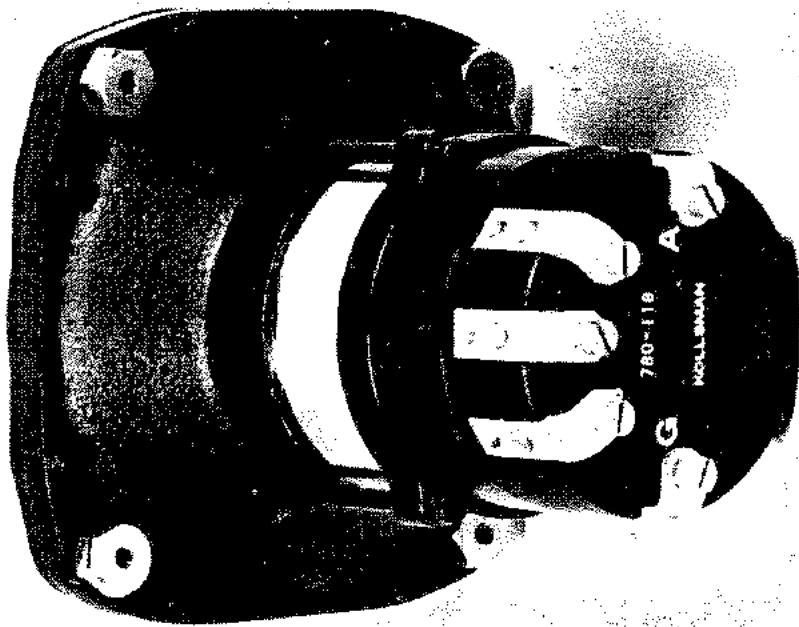


RADIO COMPASS MODEL 602 TYPE 116



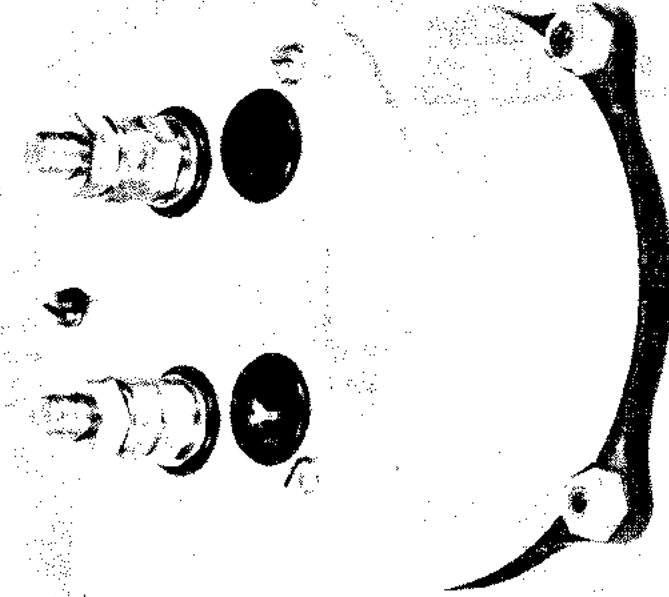
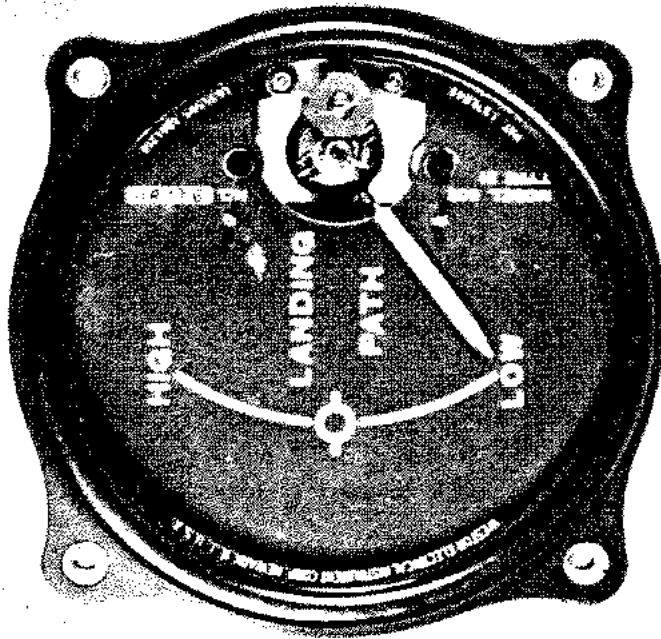
RADIO COMPASS

MODEL 602 TYPE 59



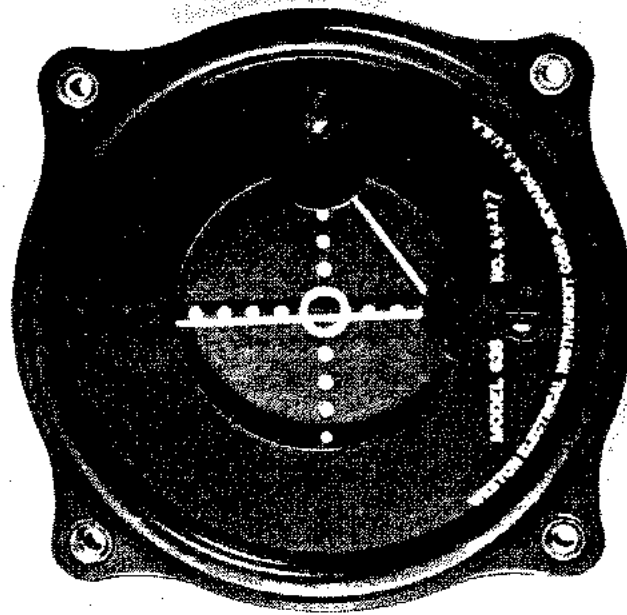
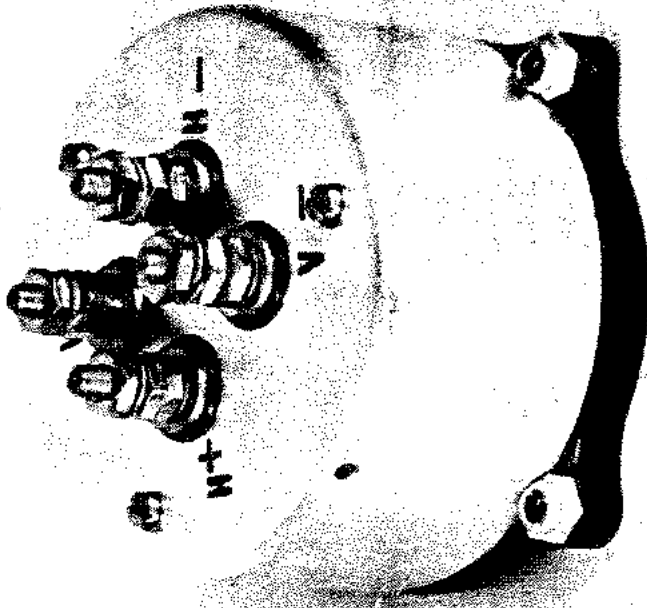
RADIO COMPASS

TYPE 780



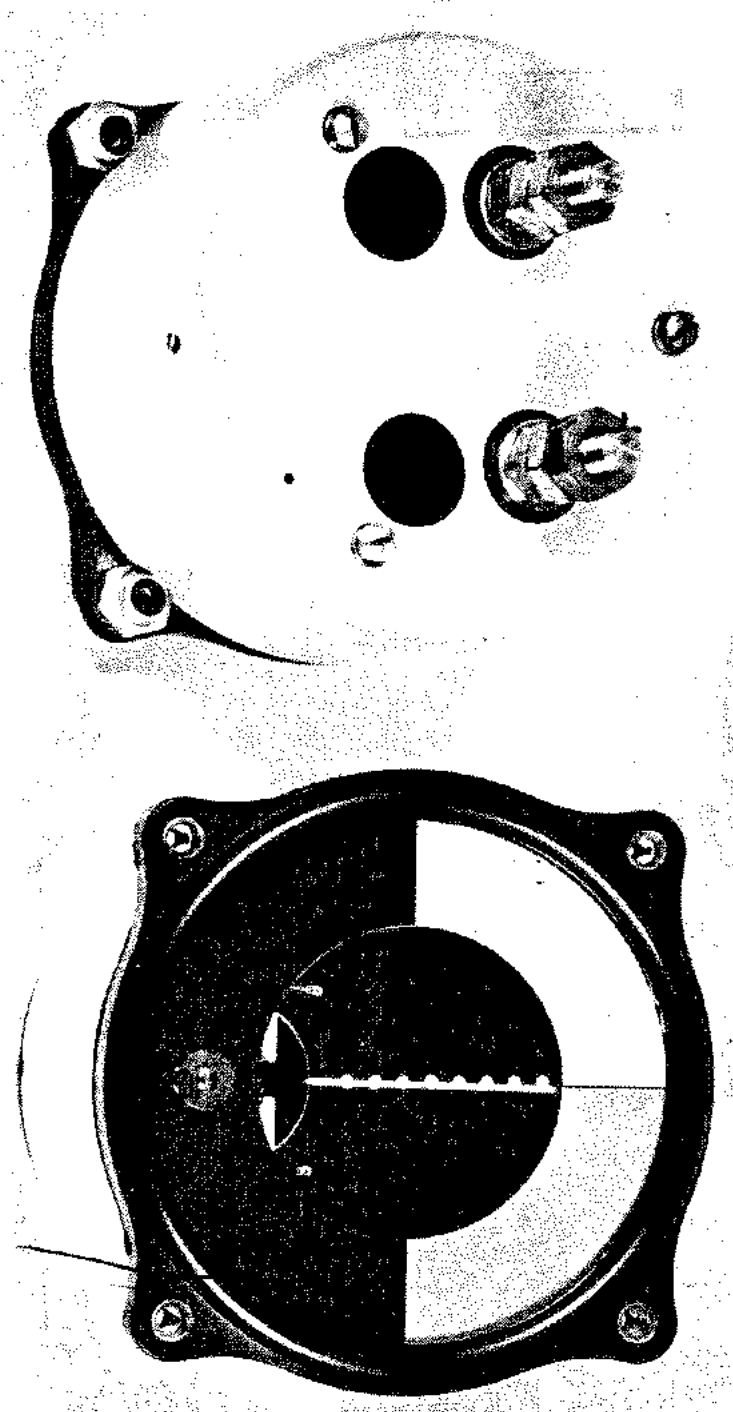
LANDING PATH INDICATOR

MODEL 602 TYPE 81



MODEL 635 TYPE II

CROSS POINTER INDICATOR



TYPE I18

RUNWAY LOCALIZER

8814 Radio Assembly, Type C & C-2

(This assembly supersedes Assembly No. C-2208A for C, C2 Trainer Models. It is interchangeable.)

Part No.	Nomenclature
2208	Transformer, Oscillation
5217	Plate Assembly, Jack Tip (Long)
5218	Plate Assembly, Jack Tip (Short)
5844	Bar, Radio Buss
5927	Terminal, Solder Lug #1-#6 Hole
6057	Nut, Hexagon Iron #6-32 x 5/16" x 7/64" Cad. Plt.
6106	Screw, R.H.I.M. #6-32 x 1/2" Cad. Plt.
6326	Screw, R.H.I.M. #6-32 x 5/16" Cad. Plt.
6502	Jack, Phone Tip (U.S.A.)
6526	Jack, Phone Tip (Canada)
6563	Retainer, Tube Socket
6564	Socket, 4 Contact Standard
6565	Socket, 5 Contact Standard
6569	Terminal, Solder Lug Flat Type, No. 10 Hole
6570	Wire, #20 Waxed Hook-Up
6571	Capacitor, Electrolytic 12 Mfd., 500 Volts
6572	Capacitor, Paper .5 Mfd., 400 Volts
6574	Capacitor, Mica .004 Mfd., 750 Volts
6575	Capacitor, Mica .002 Mfd., 1000 Volts
6577	Capacitor, Paper 1 Mfd., 400 Volts
6579	Grommet, Insulated 5/16" I.D. x 1/2" O.D.
6580	Wire, #18 Gauge Flexible Shielded Fixture
6581	Switch, Power
6582	Switch, Selector 3 Circuits-Two Sections
6583	Switch, Selector 3 Circuits-One Section
6585	Potentiometer, 250,000 Ohms
6587	Transformer, Headphone Output
6588	Choke, Filter
6589	Transformer, Microphone
6590	Transformer, Power
6591	Capacitor, Paper .2 Mfd., 400 Volts
6592	Capacitor, Paper .05 Mfd., 400 Volts
6593	Capacitor, Mica .006 Mfd., 750 Volts
6594	Potentiometer, 2000 Ohms
6595	Potentiometer, 50,000 Ohms
6596	Resistor, 1500 Ohms, 10 Watt Wirewound
6597	Resistor, 5000 Ohms, 10 Watt Wirewound
6598	Resistor, 3000 Ohms, 10 Watt Wirewound
6599	Resistor, Wirewound 10,000 Ohms, 50 Watt
6739	Tubing, Saturated Sleeving .115"-.105" I.D.
6744	Clip, Terminal Bernard #81, 5/32" Hole

8814 Radio Assembly, Type C & C-2 (Continued)

Part No.

Nomenclature

6776	Tubing (Saturated Sleeving)
6791	Switch, Selector
6806	Capacitor, Paper .1 Mfd., 400 Volts
6831	Bracket, Resistor Mounting
8315	Control, Beam Shift Type C
8662	Cable Assembly, 110 Volt Radio Supply
9572	Cable Assembly, Power Supply to Tube Sockets Type D, E, C, & C-2
9573	Cable Assembly, Type C & C-2 Radio
10052	Terminal, Solder Lug Flat Type #8 Hole

The following obsolete parts which are not interchangeable with the current version are available for service.

5748	Cable Assembly, Radio 110 Volt Supply (This assembly was composed of approximately 20 ft. of two conductor wire and plug. It was superseded by No. 8300.)
8300	Cable Assembly, 110 Volt Radio Supply (This assembly was composed of rubber cord, plug, receptacle and terminals with overall length of approximately 23-1/2" inches. It was superseded by No. 8662.)

5216 Radio Assem., Type "D" & "E"

(Bottom view of Assembly used on D, D1, D2, E2 Trainer Models. It supersedes and is interchangeable with Assembly No. 8399 for use on E, Esp Models)

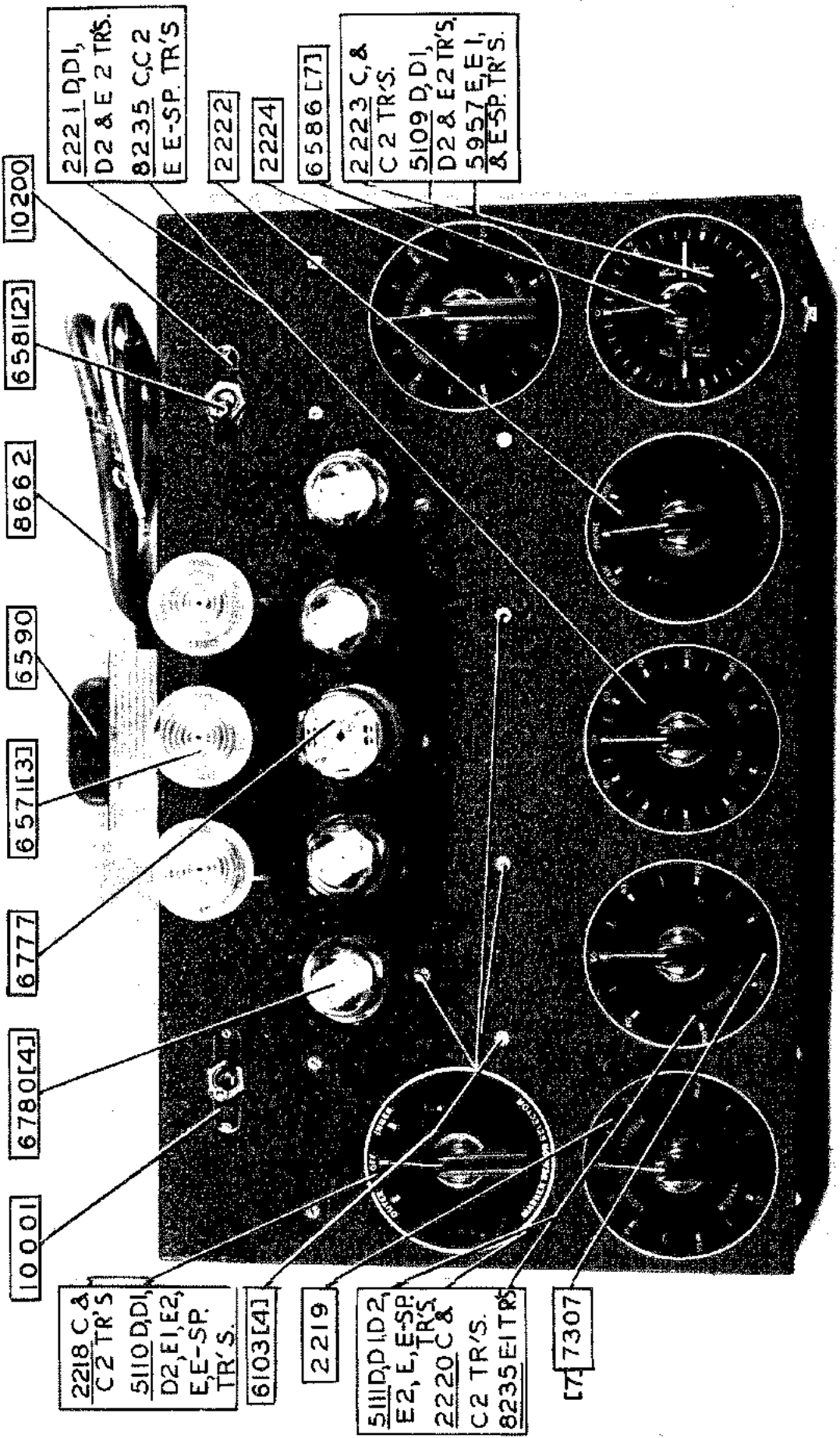
Part No.	Nomenclature
2208	Transformer, Oscillation
5217	Plate Assembly, Jack Tip (Long)
5218	Plate Assembly, Jack Tip (Short)
5844	Bar, Radio Buss
5927	Terminal, Solder Lug #1-#6 Hole
6057	Nut, Hexagon Iron #6-32 x 5/16" x 7/64" Cad. Plt.
6106	Screw, R.H.I.M. #6-32 x 1/2" Cad. Plt.
6326	Screw, R.H.I.M. #6-32 x 5/16" Cad. Plt.
6502	Jack, Phone Tip (U.S.A.)
6526	Jack, Phone Tip (Canada)
6563	Retainer, Tube Socket
6564	Socket, 4 Contact Standard
6565	Socket, 5 Contact Standard
6569	Terminal, Solder Lug Flat Type No. 10 Hole
6570	Wire, #20 Waxed Hook-Up
6571	Capacitor, Electrolytic 12 Mfd., 500 Volts
6572	Capacitor, Paper .5 Mfd., 400 Volts
6573	Capacitor, Paper .01 Mfd., 400 Volts
6574	Capacitor, Mica .004 Mfd., 750 Volts
6575	Capacitor, Mica .002 Mfd., 1000 Volts
6576	Capacitor, Mica .0005 Mfd., 1000 Volts
6577	Capacitor, Paper 1 Mfd., 400 Volts
6579	Grommet, Insulated 5/16" I.D. x 1/2" O.D.
6580	Wire, #18 Gauge Flexible Shielded Fixture
6581	Switch, Power
6582	Switch, Selector 3 Circuits-Two Sections
6583	Switch, Selector 3 Circuits-One Section
6584	Potentiometer, Wirewound 1500 Ohms
6585	Potentiometer, 250,000 Ohms
6587	Transformer, Headphone Output
6588	Choke, Filter
6589	Transformer, Microphone
6590	Transformer, Power
6591	Capacitor, Paper .2 Mfd., 400 Volts
6595	Potentiometer, 50,000 Ohms
6596	Resistor, 1500 Ohms, 10 Watt Wirewound
6597	Resistor, 5,000 Ohms, 10 Watt Wirewound
6598	Resistor, 3000 Ohms, 10 Watt Wirewound
6599	Resistor, Wirewound 10,000 Ohms, 50 Watt

5216 Radio Assem., Type "D" & "E" (Continued)

Part No.	Nomenclature
6739	Tubing, Saturated Sleeving .115"-.105" I.D.
6744	Clip, Terminal Bernard #81, 5/32" Hole
6776	Tubing (Saturated Sleeving)
6803	Potentiometer, 2,000 Ohms Switch Type
6831	Bracket, Resistor Mounting
8316	Control, Beam Shift Type D
8662	Cable Assembly, 110 Volt Radio Supply
9571	Cable Assembly, Type D & E Radio
9572	Cable Assembly, Power Supply to Tube Sockets Type D, E, C & C-2
10052	Terminal, Solder Lug Flat Type #8 Hole

The following obsolete parts which are not interchangeable with the current version are available for service.

5748	Cable Assembly, Radio 110 Volt Supply (This Assembly was composed of approximately 20 ft. of two conductor wire and plug. It was superseded by No. 8300.)
8300	Cable Assembly, 110 Volt Radio Supply (This Assembly was composed of rubber cord, plug, receptacle and terminals with overall length of approximately 23 1/2 inches. It was superseded by No. 8662.)



- 11101 RADIO ASSEM., TYPE E-1
- 5216 RADIO ASSEM., TYPE D & E
- 8814 RADIO ASSEM., TYPE C & G-2

11101 Radio Assem., Type E-1

5216 Radio Assem., Type D & E

8814 Radio Assem., Type C & C-2

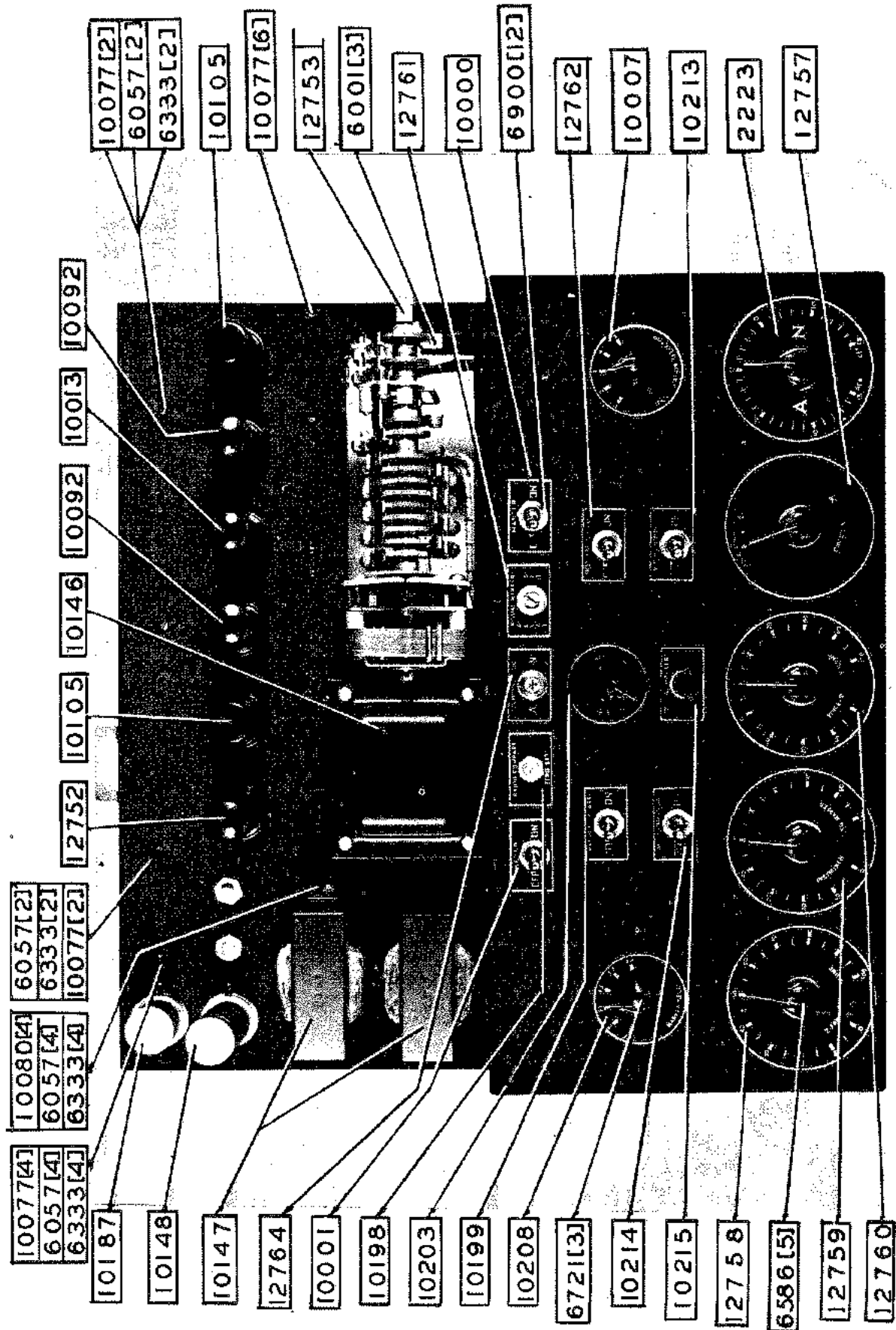
(Assembly No. 11101 is used on E1 Trainer Models.
Assembly No. 5216 is used on D, D1, D2 Trainer Models
and supersedes Assembly No. 8399 for E, Esp. Trainer
Models.

Assembly No. 8814 is used on C, C2 Trainer Models.)

Part No.

Nomenclature

2218	Plate, Marker Beacon Selector Type C
2219	Plate, Marker Beacon Volume
2220	Plate, Course Beam Selector
2221	Plate, Course Beam Volume
2222	Plate, Circuit Selector
2223	Plate, Beam Shift Type "C"
2224	Plate, Phone-Code Volume
5109	Plate, Beam Shift Type D
5110	Plate, Marker Beacon Selector
5111	Plate, Course Indicator Deflection
5957	Plate, Beam Shift Type "E"
6103	Screw, R.H.I.M. #6-32 x 1-3/4" Cad. Flt.
6571	Capacitor, Electrolytic 12 Mfd., 500 Volts
6581	Switch, Power
6586	Knob, Control-Bar Type 2-1/4" Long
6590	Transformer, Power
6777	Tube, Type 80 Radio
6780	Tube, Type 37 Radio
7307	Screw, Slotted Headless I. Set #8-32 x 3/8" Cup Point
8235	Plate, Beam Volume
8662	Cable Assembly, 110 Volt Radio Supply
10001	Plate, Keyer Off-On
10200	Plate, Radio Off-On



12769 CHASSIS ASSEMBLY, C-3 RADIO CONTROL

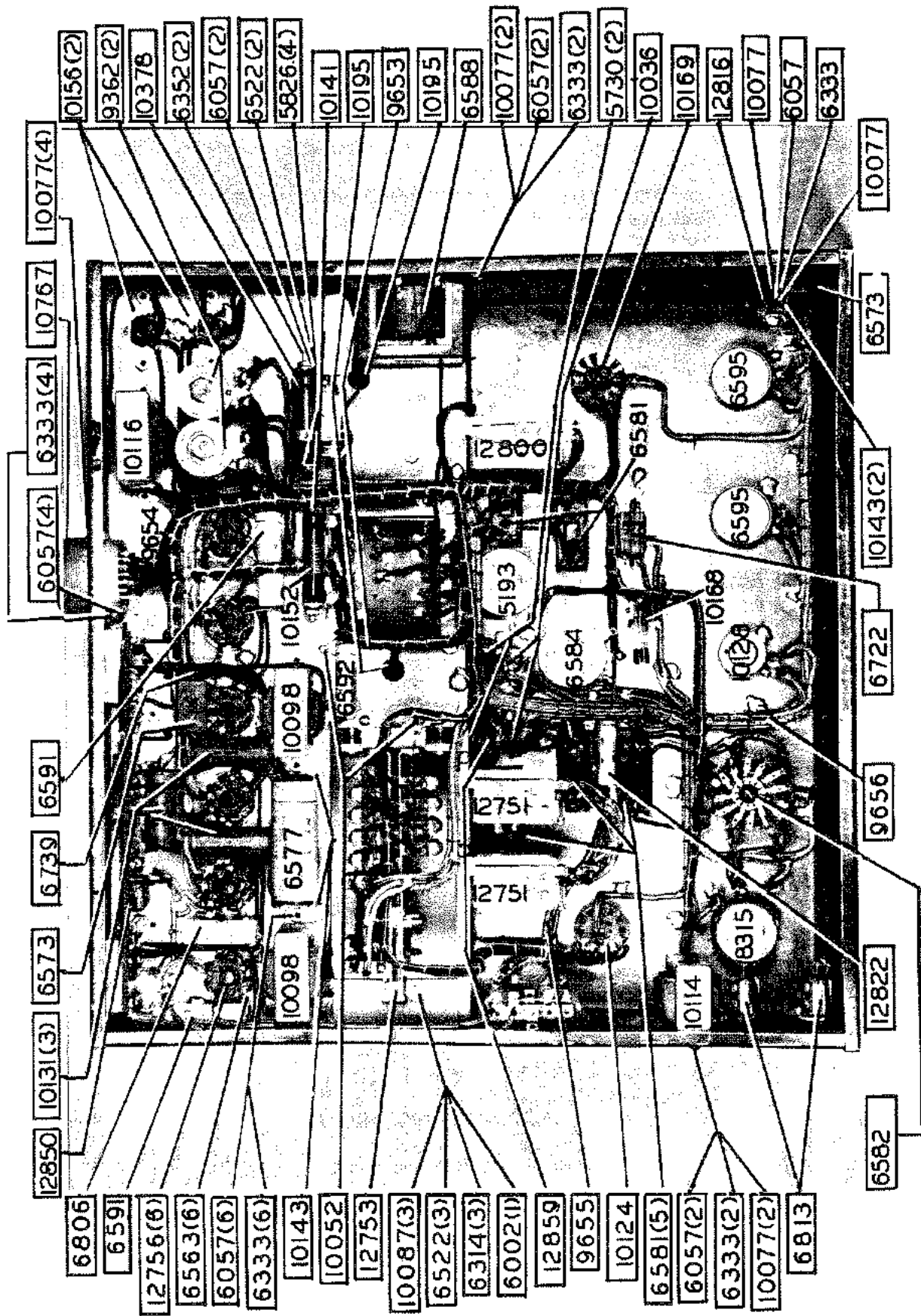
12769 Chassis Assembly, C-3 Radio Control

(Used on C3 Trainer Models)

Part No.

Nomenclature

2223	Plate, Beam Shift Type "C"
6001	Screw, R.H.I.M. #4-36 x 3/8" Cad. Plt.
6057	Nut, Hexagon Iron #6-32 x 5/16" x 7/64" Cad. Plt.
6333	Washer, #6 Internal Teeth Lock-Steel
6586	Knob, Control-Bar Type 2 1/4" Long
6721	Knob, Control 19/32" High x 1 1/4" Long
6900	Nut, Binding #3/8"-32 x 1/2" x 3/32" Hex.
10000	Plate, Master-Off-On
10001	Plate, Keyer Off On
10007	Plate, Identification Selector
10013	Tube, Type 6V6 GT/G Radio
10077	Screw, R.H.I.M. #6-32 x 1/4" Parkerized
10080	Screw, R.H.I.M. #6-32 x 5/16" Painted
10092	Tube, Type-6N7-Radio
10105	Tube, Type-6C5-Radio
10146	Transformer, Power C-5 Trainer
10147	Reactor, Filter
10148	Capacitor, Electrolytic-10 Mfd. 15 Mfd. 15 Mfd.-450 Volts
10187	Capacitor, Electrolytic; 40 Mfd.-40 Mfd.-25 Volt
10198	Plate, Radio Compass Zero Set
10199	Plate, Radio Compass Off-On
10203	Plate, Radio Compass Sensitivity
10208	Plate, Marker Selector
10213	Plate, Visual Marker Off-On
10214	Plate, Aural Marker Off-On
10215	Plate, Visual Marker
12752	Tube, Type 5Y3 GT/G Radio
12753	Keyer Assembly, Type "C-3"
12757	Plate, Circuit Selector
12758	Plate, Z-Fan Marker
12759	Plate, Instrument Landing Marker
12760	Plate, Voice-Range
12761	Plate, Visual Marker Set
12762	Plate, Instrument Landing Marker Switch
12764	Plate, Compensator "A"- "N"



12769 CHASSIS ASSEMBLY, C-3 RADIO CONTROL

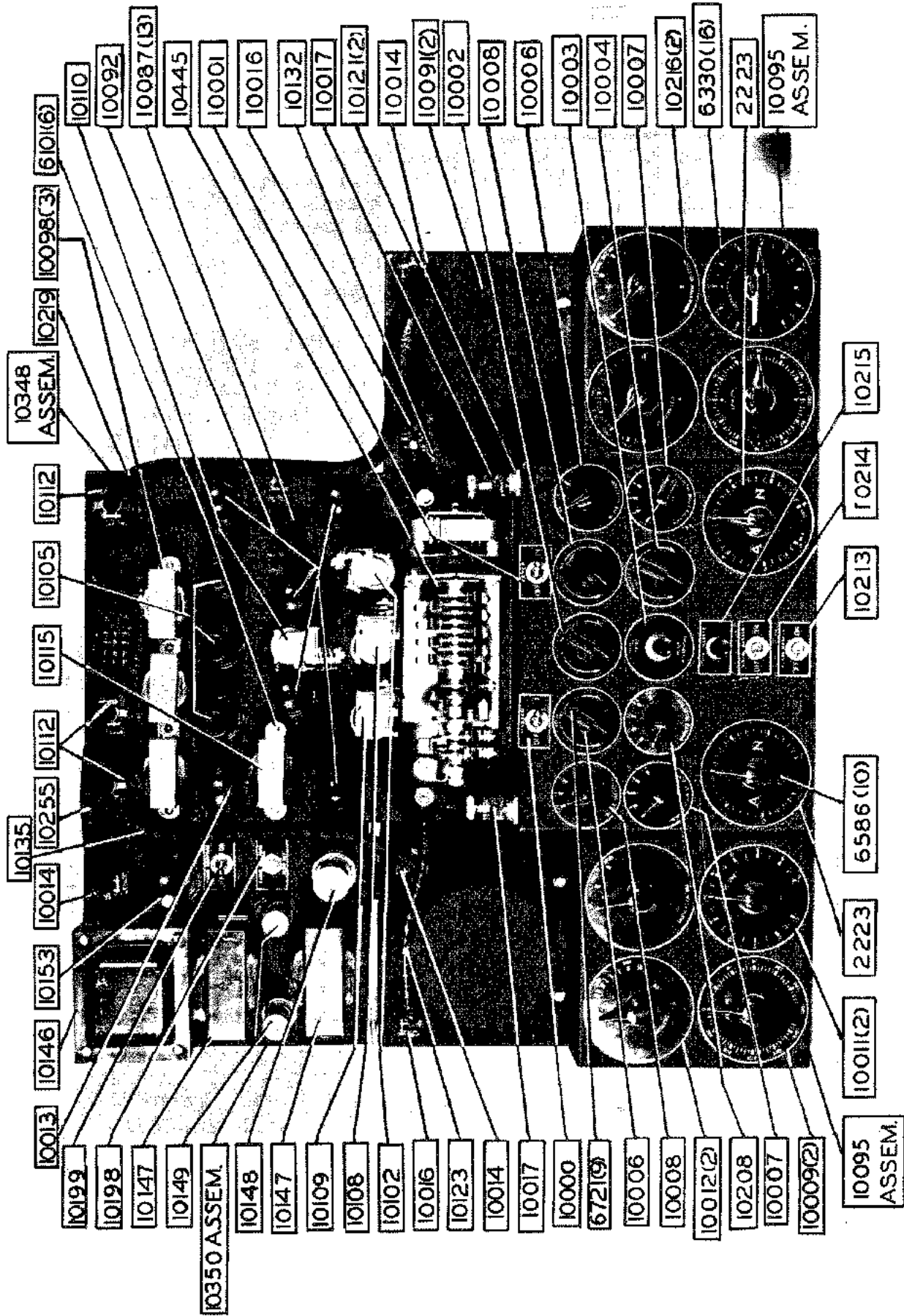
12769 Chassis Assembly, C-3 Radio Control

(Used on C3 Trainer Models)

Part No.	Nomenclature
5193	Potentiometer, Wirewound 200 Ohms
5730	Spacer, Motor
5826	Washer, Fibre, 5/16" Dia. Shoulder
6002	Nut, Hexagon Iron #4-36 x 1/4" x 3/32" Cad. Plt.
6057	Nut, Hexagon Iron #6-32 x 5/16" x 7/64" Cad. Plt.
6314	Washer, #4 Internal Teeth Lock-Steel
6333	Washer, #6 Internal Teeth Lock-Steel
6352	Screw, R.H.I.M. #6-32 x 2-1/2" Cad. Plt.
6522	Washer, 5/32" x 7/16" x .049" Steel Cad. Plt.
6563	Retainer, Tube Socket
6573	Capacitor, Paper .01 Mfd. 400 Volts
6577	Capacitor, Paper 1 Mfd., 400 Volts
6581	Switch, Power
6582	Switch, Selector 3 Circuits-Two Sections
6584	Potentiometer, Wire Wound 1500 Ohms
6588	Choke, Filter
6591	Capacitor, Paper .2 Mfd., 400 Volts
6592	Capacitor, Paper .05 Mfd., 400 Volts
6595	Potentiometer, 50,000 Ohms
6722	Switch, Toggle D.P.D.T.
6739	Tubing, Saturated Sleeving .115"-.105" I.D.
6806	Capacitor, Paper .1 Mfd., 400 Volts
6813	Jack, 3 Circuit Microphone
8315	Control, Beam Shift Type C
9362	Rectifier, Copper Oxide (GE)
9653	Cable Assembly, Type C-3 Radio Transformer
9654	Cable Assembly, Type C-3 Radio Receptacle
9655	Cable Assembly, Type C-3 Radio Shielded Relay
9656	Cable Assembly, Type C-3 Radio Large Shielded
10036	Potentiometer, 50,000 Ohms Slotted Type
10052	Terminal, Solder Lug; Flat Type-#8 Hole
10077	Screw, R.H.I.M. #6-32 x 1/4" Parkerized
10087	Grommet, Rubber 1/8" I.D. x 1/4" O.D.
10098	Transformer, Oscillator
10114	Transformer, Microphone Input
10116	Transformer, Noise Amplifier Input
10124	Switch, Identification Selector
10128	Potentiometer, 250,000 Ohms; Knob Type
10131	Capacitor, Electrolytic 25 Mfd. 25 Volt
10141	Bracket, Angle
10143	Strip, Terminal; 2 Terminal Type
10152	Resistor, Wirewound; 50,000 Ohms
10156	Plate, Capacitor Mounting Large Metal
10168	Switch, Visual Marker Beacon

12769 Chassis Assembly, C-3 Radio Control (Continued)

Part No.	Nomenclature
10169	Switch, Marker Beacon Selector
10195	Grommet, 1/4" I.D. x 11/32" O.D. Rubber
10378	Resistor, Wire Wound (Adjustable) 1500 Ohms-25 Watt
10767	Receptacle, Chassis #1 Polarization
12751	Relay, Marker Selector
12753	Keyer Assembly, Type "C-3"
12756	Socket, 8 Contact Black Bakelite
12800	Relay, Visual Marker
12816	Capacitor, Mica .00025 Mfd. 1000 Volts
12822	Capacitor, Paper .02 Mfd. 600 Volts
12850	Resistor Assembly, Terminal Strip
12859	Resistor Assembly, Short Terminal Strip-C-3



10350 CHASSIS ASSEMBLY, DESK POWER SUPPLY 10095 TRANSMITTER ASSEMBLY- C-5 RADIO
 10348 CHASSIS ASSEMBLY, TYPE C-5 CONTROL

10350 Chassis Assembly, Desk Power Supply

10348 Chassis Assembly, Type C-5 Control

10095 Transmitter Assembly, C-5 Radio

(Used on C5 Trainer Models)

Part No.

Nomenclature

2223 Plate, Beam Shift-Type C
6101 Screw, R.H.I.M. #6-32 x 1/4" Cad. Plated
6330 Screw, Parker-Kalon Type U-I Drive #00 x 1/8" Nickel
6586 Knob, Control-Bar Type 2-1/4" Long
6721 Knob, Control 19/32" High x 1-1/4" Long
10000 Plate, Master-Off-On
10001 Plate, Keyer-Off-On
10002 Plate, Interphone Volume
10003 Plate, Radio Interphone
10004 Plate, Marker Beacon Volume
10006 Plate, Noise Volume
10007 Plate, Identification Selector
10008 Plate, Noise Selector
10009 Plate, Azimuth
10011 Plate, Transmitter Volume
10012 Plate, Frequency Volume
10013 Tube, Type 6V6 G T/G Radio
10014 Connector, Socket-12 Contact
10016 Connector, Socket-4 Contact
10017 Connector, Plug-4 Contact
10087 Grommet, Rubber-1/8" I.D. x 1/4" O.D.
10091 Cover Assembly, Gonio-C-5 Transmitter
10092 Tube, Type 6N7-Radio
10095 Transmitter Assembly, C5 Radio
10098 Transformer, Oscillator
10102 Relay, Visual Marker C-5
10105 Tube, Type 6C5-Radio
10108 Relay, Voice-Range
10109 Relay, Interphone
10110 Relay, Range Switching
10112 Connector, Plug-12 Contact
10115 Transformer, Interphone Output
10121 Connector, 2 Contact, Female, Chassis Type
10123 Cable Assembly, Left Gonio to Control Chassis
10132 Cable Assembly, Right Gonio to Control Chassis
10135 Cable Assembly, Control Chassis to Left Transmitter
10146 Transformer, Power, C-5 Trainer
10147 Reactor, Filter
10148 Capacitor, Electrolytic, 10 Mfd.-15 Mfd.-15 Mfd.-450 Volts
10149 Capacitor, Electrolytic, 40 Mfd.-25 Volts

10350 Chassis Assembly, Desk Power Supply (Continued)

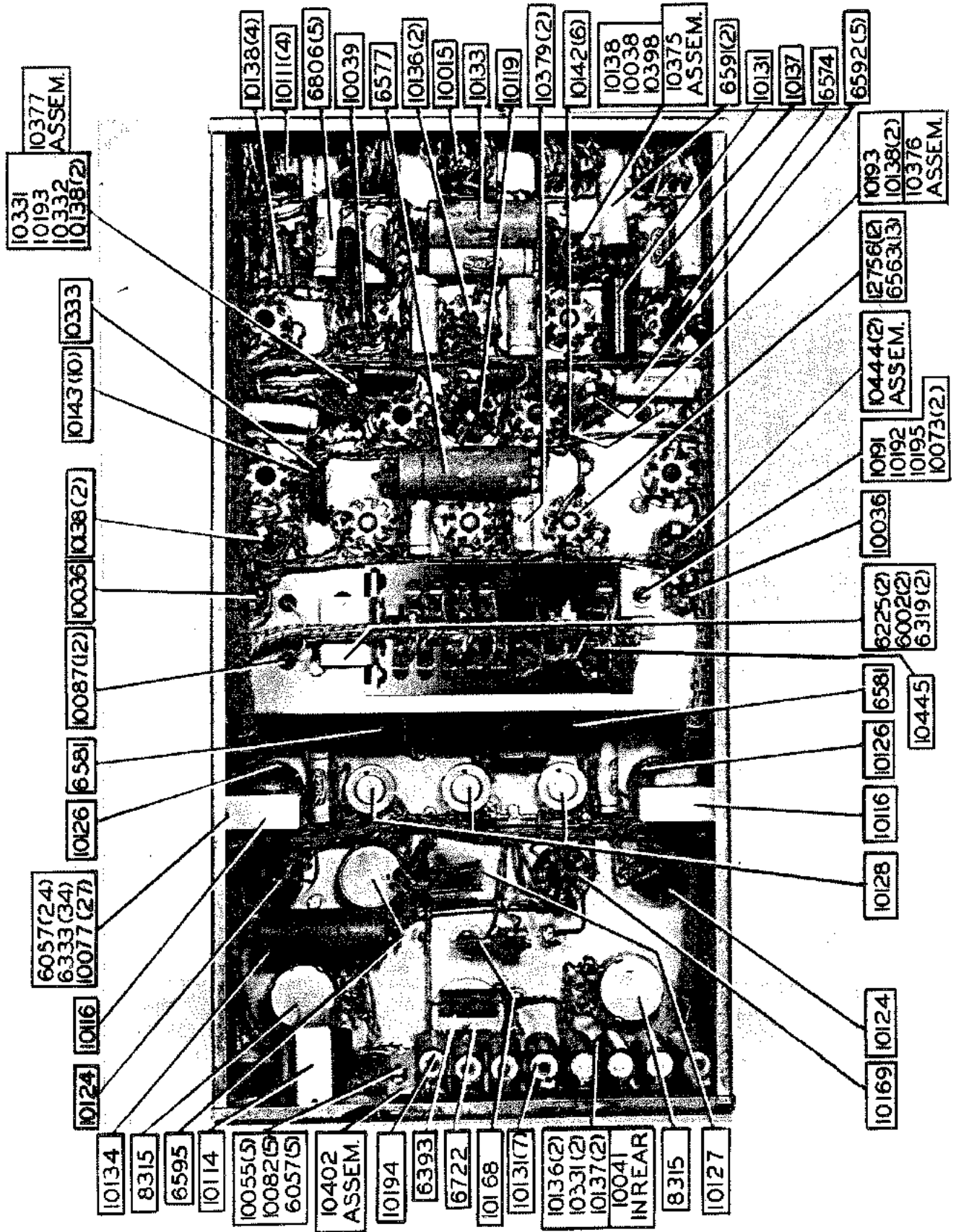
10348 Chassis Assembly, Type C-5 Control (Continued)

10095 Transmitter Assembly, C-5 Radio (Continued)

Part No.

Nomenclature

10153	Tube, Type 5T4-Radio
10198	Plate, Radio Compass Zero Set
10199	Plate, Radio Compass, Off-On
10208	Plate, Marker Selector
10213	Plate, Visual Marker, Off-On
10214	Plate, Aural Marker, Off-On
10215	Plate, Visual Marker
10216	Plate, Modulation Selector-4 Position
10219	Cable Assembly, Control Chassis to Right Transmitter
10255	Cable Assembly, Control Chassis to Power Supply
10348	Chassis Assembly, Type C-5 Control
10350	Chassis Assembly, Desk Power Supply
10445	Keyer Assembly, Complete, Type C-5



10348 CHASSIS ASSEMBLY TYPE C-5 CONTROL

10348 Chassis Assembly, Type C-5 Control

(Used on C5 Trainer Models)

Part Not.

Nomenclature

6002	Nut, Hexagon Iron #4-36 x 1/4" x 3/32" Cad. Plt.
6057	Nut, Hexagon Iron #6-32 x 5/16" x 7/64" Cad. Plt.
6225	Screw, R.E.I.M. #4-36 x 1/2" Cad. Plt.
6319	Washer, .130" x 9/32" x .025" Brass Cad. Plt.
6333	Washer, #6 Internal Teeth Lock-Steel
6393	Switch, Single Pole Single Throw
6563	Retainer, Tube Socket
6573	Capacitor, Paper .01 Mfd. 400 Volts
6574	Capacitor, Mica .004 Mfd., 750 Volts
6577	Capacitor, Paper 1 Mfd., 400 Volts
6580	Wire, #18 Gauge Flexible Shielded Fixture
6581	Switch, Power
6591	Capacitor, Paper .2 Mfd., 400 Volts
6592	Capacitor, Paper .05 Mfd., 400 Volts
6595	Potentiometer, 50,000 Ohms
6722	Switch, Toggle D.P.D.T.
6806	Capacitor, Paper .1 Mfd., 400 Volts
8315	Control, Beam Shift Type C
10015	Connector, 12 Contact Chassis Type Plug
10036	Potentiometer, 50,000 Ohms Slotted Type
10038	Resistor, 25,000 Ohms 1/2 Watt
10039	Resistor, 50,000 Ohms-1/2 Watt
10041	Resistor, Wire Wound; 250 Ohms, 1 Watt
10055	Spacer, 5/32" I.D. x 1/4" Long
10073	Washer, 11/16" O.D. x .260" x .051"
10077	Screw, R.H.I.M. #6-32 x 1/4" Parkerized
10082	Screw, R.H.I.M. #6-32 x 5/8" Parkerized
10087	Grommet, Rubber 1/8" I.D. x 1/4" O.D.
10111	Connector, 12 Contact Chassis Type Socket
10114	Transformer, Microphone Input
10116	Transformer, Noise Amplifier Input
10119	Socket, 9 Contact "Octal" Style
10124	Switch, Identification Selector
10126	Switch, Noise Selector
10127	Switch, Radio Interphone
10128	Potentiometer, 250,000 Ohms; Knob Type
10131	Capacitor, Electrolytic 25 Mfd. 25 Volt
10133	Capacitor, Paper .65 Mfd. 400 Volt
10134	Capacitor, Paper 1.1 Mfd. 400 Volt
10136	Resistor, 3,000 Ohms-1/2 Watt
10137	Resistor, 1,000 Ohms-1/2 Watt
10138	Resistor, 100,000 Ohms-1/2 Watt
10142	Strip, Terminal; One Lug and Ground
10143	Strip, Terminal; 2 Terminal Type
10168	Switch, Visual Marker Beacon

10348 Chassis Assembly, Type C-5 Control (Continued)

Part No.	Nomenclature
10169	Switch, Marker Beacon Selector
10191	Plug, Keyer Mount
10192	Jack, Keyer Mount
10193	Resistor, 250,000 Ohms-1/2 Watt
10194	Capacitor, Electrolytic 50 Mfd. 50 Volt
10195	Grommet, 1/4" I.D. x 11/32" O.D. Rubber
10259	Wire, #20 Stranded Tinned Copper; White-Red Tracer
10260	Wire, #20 Stranded Tinned Copper; White-Blue Tracer
10261	Wire, #20 Stranded Tinned Copper; White-Green Tracer
10264	Wire, #20 Stranded Tinned Copper; White-Brown Tracer
10265	Wire, #20 Stranded Tinned Copper; White-Orange Tracer
10266	Wire, #20 Stranded Tinned Copper; White-Black Tracer
10267	Wire, #20 Stranded Tinned Copper White
10331	Resistor, Wirewound 700 Ohms-1/2 Watt
10332	Resistor, Wirewound 400 Ohms-1/2 Watt
10333	Resistor, 80,000 Ohms-2 Watts
10375	Resistor Assembly, Rear
10376	Resistor Assembly, Right Center
10377	Resistor Assembly, Left Center
10379	Capacitor, Paper .02 Mfd.-400 Volts
10398	Resistor, 30,000 Ohms-1/2 Watt
10399	Resistor, Wire Wound 25 Ohms-1/2 Watt
10402	Block Assembly, Capacitor Mounting
10444	Resistor Assembly, Front
10445	Keyer Assembly, Complete Type C-5
12756	Socket, 8 Contact Black Bakelite



10475 RADIO ASSEMBLY

10475 Radio Assembly

(Top view of Assembly used on
AN 2550-1 Trainer Models)

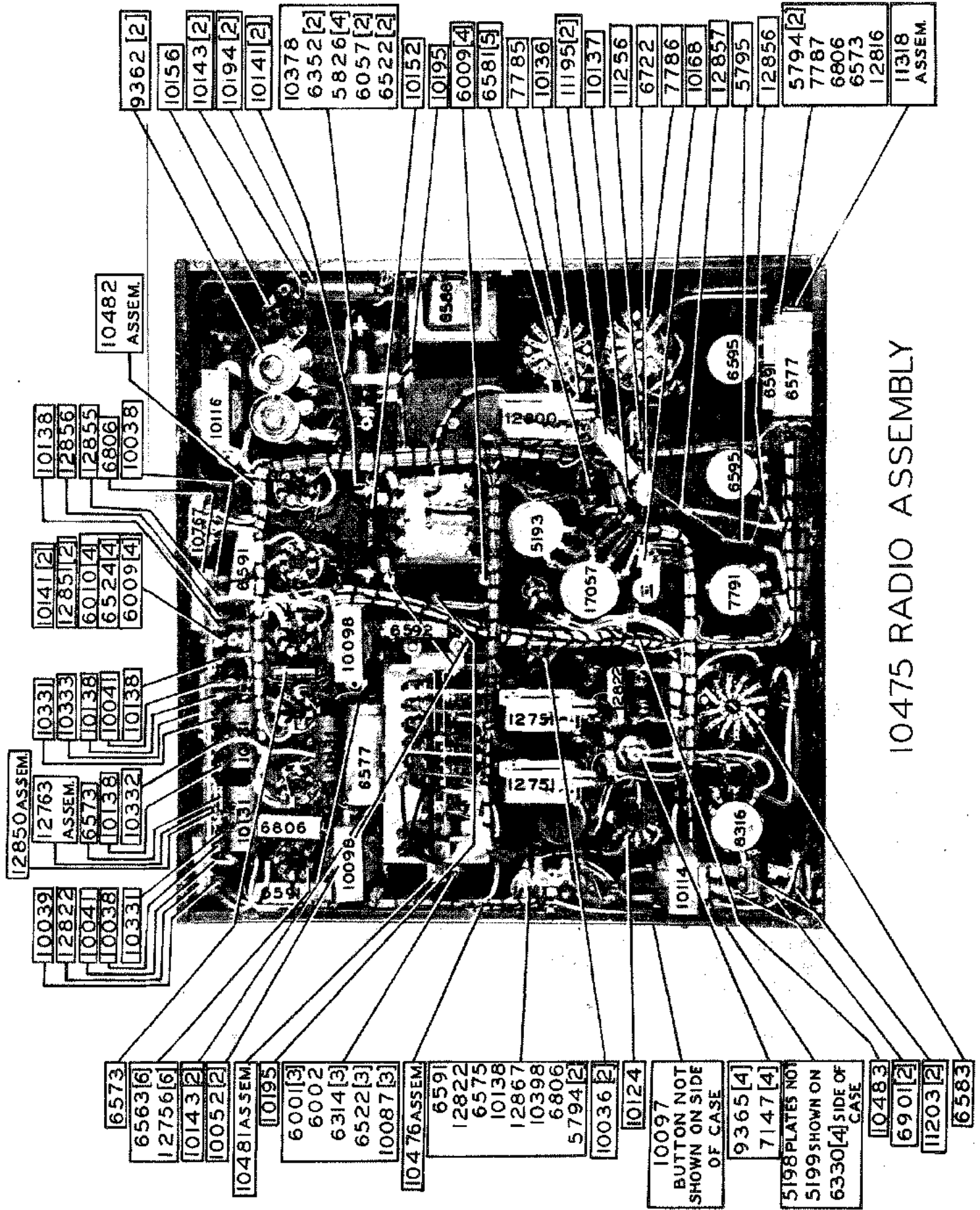
Part No.	Nomenclature
5957	Plate, Beam-Shift Type "E"
6001	Screw, R.H.I.M. #4-36 x 3/8" Cad. Plt.
6002	Nut, Hexagon Iron #4-36 x 1/4" x 3/32" Cad. Plt.
6057	Nut, Hexagon Iron #6-32 x 5/16" x 7/64" Cad. Plt.
6314	Washer, #4 Internal Teeth Lock-Steel
6334	Washer, #8 Internal Teeth-Lock Steel
6522	Washer, 5/32" x 7/16" x .049" Steel
6586	Knob, Control-Bar Type 2 1/4" Long
6721	Knob, Control 19/32" High x 1 1/4" Long
6900	Nut, Binding # 3/8"-32 x 1/2" x 3/32" Hex.
7726	Plate, Glide Path
7734	Chassis, Radio Control
7780	Plate, Land Instruments OFF-ON
9243	Screw, R.H.I.M. #8-32 x 1/4" Painted
10000	Plate, Master OFF-ON
10001	Plate, Keyer OFF-ON
10007	Plate, Identification Selector
10013	Tube, Type 6V6 GT/G Radio
10077	Screw, R.H.I.M. #6-32 x 1/4" Parkerized
10080	Screw, R.H.I.M. #6-32 x 5/16" Painted
10087	Grommet, Rubber 1/8" I.D. x 1/4" O.D.
10092	Tube, Type - 6N7 - Radio
10105	Tube, Type-6C5 - Radio
10146	Transformer, Power C-5 Trainer
10147	Reactor, Filter
10148	Capacitor, Electrolytic 10 MFD. 15 MFD 15 MFD, 450 Volts
10213	Plate, Visual Marker, OFF-ON
10214	Plate, Aural Marker, OFF-ON
10215	Plate, Visual Marker
10481	Keyer Assembly
10489	Plate, Localizer
10490	Plate, Landing Instrument Zero Set
10491	Plate, Army Navy British
10492	Plate, Marker Selector
10493	Plate, Flight Land
10494	Plate, To-From Instrument
10497	Plate, Inner Marker
10498	Plate, Outer Marker
10767	Receptacle, Chassis #1 Polarization
11202	Button, 1 1/4 Hole Plug
12752	Tube, Type 5Y3 GT/G Radio
12757	Plate, Circuit Selector

10475 Radio Assembly (Continued)

Part No.

Nomenclature

12758	Plate Z-Fan Marker
12759	Plate, Instrument Landing Marker
12760	Plate, Voice-Range
12761	Plate, Visual Marker Set
12762	Plate, Instrument Landing Marker Switch
12764	Plate, Compensator "A" - "N"



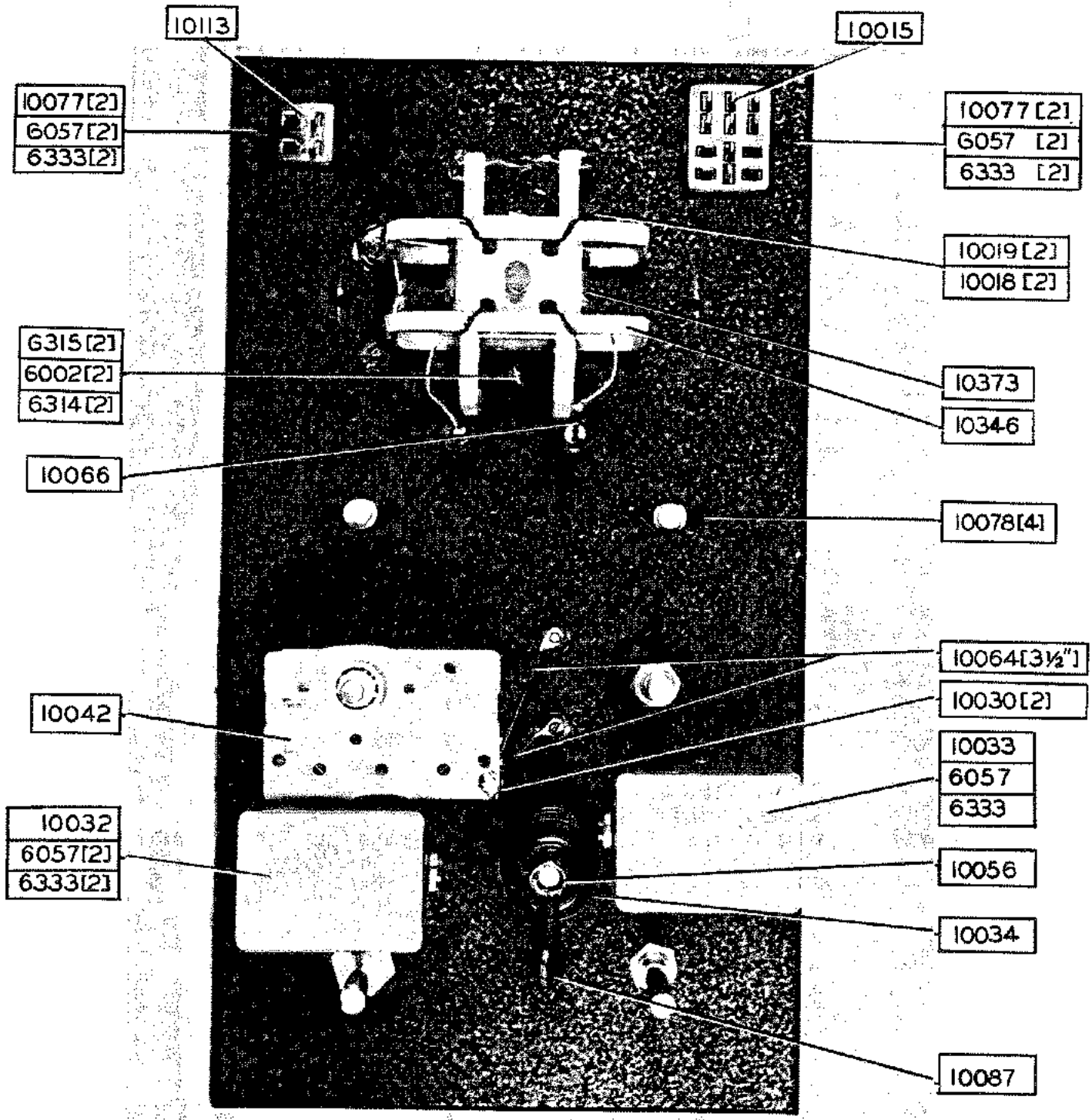
10475 Radio Assembly

(Bottom view of assembly used on
AN 2550-1 Trainer Models)

Part No.	Nomenclature
5193	Potentiometer, Wirewound 200 Ohms
5198	Plate, Microphone Jack
5199	Plate, Phone-Jack
5794	Strip, 4-Lug Terminal
5795	Strip, 1-Lug Terminal
5826	Washer, Fibre, 5/16" Dia. Shoulder
6001	Screw, R.H.I.M. #4-36 x 3/8" Cad. Plt.
6002	Nut, Hexagon Iron #4-36 x 1/4" x 3/32" Cad. Plt.
6009	Nut, Hexagon Iron #8-32 x 11/32" x 1/8" Cad. Plt.
6010	Screw, R.H.I.M. #8-32 x 1/2" Cad. Plt.
6057	Nut, Hexagon Iron #6-32 x 5/16" x 7/64" Cad. Plt.
6314	Washer, #4 Internal Teeth Lock - Steel
6330	Screw, Parker-Kalon Type U-I Drive #00 x 1/8" Nickel
6352	Screw, R.H.I.M. #6-32 x 2 1/2" Cad. Plt.
6522	Washer, 5/32" x 7/16" x .049" Steel Cad. Plt.
6524	Washer, #8 Spring Steel Lock
6563	Retainer, Tube Socket
6573	Capacitor, Paper .01 MFD. 400 Volts
6575	Capacitor, Mica .002 MFD. 1000 Volts
6577	Capacitor, Paper 1 MFD., 400 Volts
6581	Switch, Power
6583	Switch, Selector 3 Circuits - One Section
6588	Choke, Filter
6591	Capacitor, Paper .2 MFD., 400 Volts
6592	Capacitor, Paper .05 MFD., 400 Volts
6595	Potentiometer, 50,000 Ohms
6716	Potentiometer, 25,000 Ohms
6722	Switch, Toggle D.P.D.T.
6806	Capacitor, Paper .1 MFD., 400 Volts
6901	Nut, Double Chamfer, #3/8"-32 x 9/16" x 3/32" Hex. Cad. Plt.
7147	Lamp, 6-8 Volts
7785	Switch, 3 Positions, 9 Circuits
7786	Switch, 9 Positions, 4 Circuits
7787	Condenser, Mica - .0015 MFD. - 600 Volts
7791	Potentiometer, 1500 Ohms & 250,000 Ohms
8316	Control, Beam Shift Type D
9362	Rectifier, Copper Oxide (GE)
9365	Socket, Red Miniature Bayonet
10036	Potentiometer, 50,000 Ohms Slotted Type
10038	Resistor, 25,000 Ohms 1/2 Watt
10039	Resistor, 50,000 Ohms - 1/2 Watt
10041	Resistor, Wirewound 250 Ohms, 1 Watt

10475 Radio Assembly (Continued)

Part No.	Nomenclature
10052	Terminal, Solder Lug; Flat Type #8 Hole
10087	Grommet, Rubber 1/8" I.D. x 1/4" O.D.
10097	Button, 1/2" Dia. Hole
10098	Transformer, Oscillator
10114	Transformer, Microphone Input
10116	Transformer, Noise Amplifier Input
10124	Switch, Identification Selector
10131	Capacitor, Electrolytic 25 Mfd. 25 Volts
10136	Resistor, 3,000 Ohms - 1/2Watt
10137	Resistor, 1,000 Ohms - 1/2 Watt
10138	Resistor, 100,000 Ohms - 1/2 Watt
10141	Bracket, Angle
10143	Strip, Terminal 2 Terminal Type
10152	Resistor, Wirewound; 50,000 Ohms
10156	Plate, Capacitor Mounting Large Metal
10168	Switch, Visual Marker Beacon
10194	Capacitor, Electrolytic 50Mfd. 50 Volt
10195	Grommet, 1/4" I.D. x 11/32" O.D. Rubber
10331	Resistor, Wirewound 700 Ohms - 1/2 Watt
10332	Resistor, Wirewound 400 Ohms - 1/2 Watt
10333	Resistor, 80,000 Ohms - 2 Watts
10379	Resistor, Wirewound (Adjustable) 1500 Ohms - 25 Watt
10398	Resistor, 30,000 Ohms - 1/2 Watt
10476	Cable Assembly, Duplex Shielded Relay
10481	Keyer Assembly
10482	Cable Assembly, Color Coded Wire
10483	Cable Assembly, Radio Large Shielded
10767	Receptacle, Chassis #1 Polarization
11195	Resistor, 100-Ohms, 10 Watt Wirewound
11203	Jack, 2 Circuit Microphone
11256	Resistor, 500 Ohms - 1/2 Watt
11318	Capacitor Assembly
12751	Relay, Marker Selector
12756	Socket, 8 Contact Black Bakelite
12763	Strip Assembly Terminal - C-3
12800	Relay, Visual Marker
12816	Capacitor, Mica .00025 Mfd. 1000 Volts
12822	Capacitor, Paper .02 Mfd. 600 Volts
12850	Resistor Assembly, Terminal Strip
12851	Terminal, Flat Type #8 Hole Locking
12855	Resistor, 7500 Ohms - 1 Watt
12856	Resistor, 500,000 Ohms - 1/2 Watt
12857	Resistor, 1 Megohm - 1/2 Watt
12867	Resistor, 10,000 Ohms - 1/2 Watt
17057	Potentiometer, Wirewound - 200 Ohms Knob Type

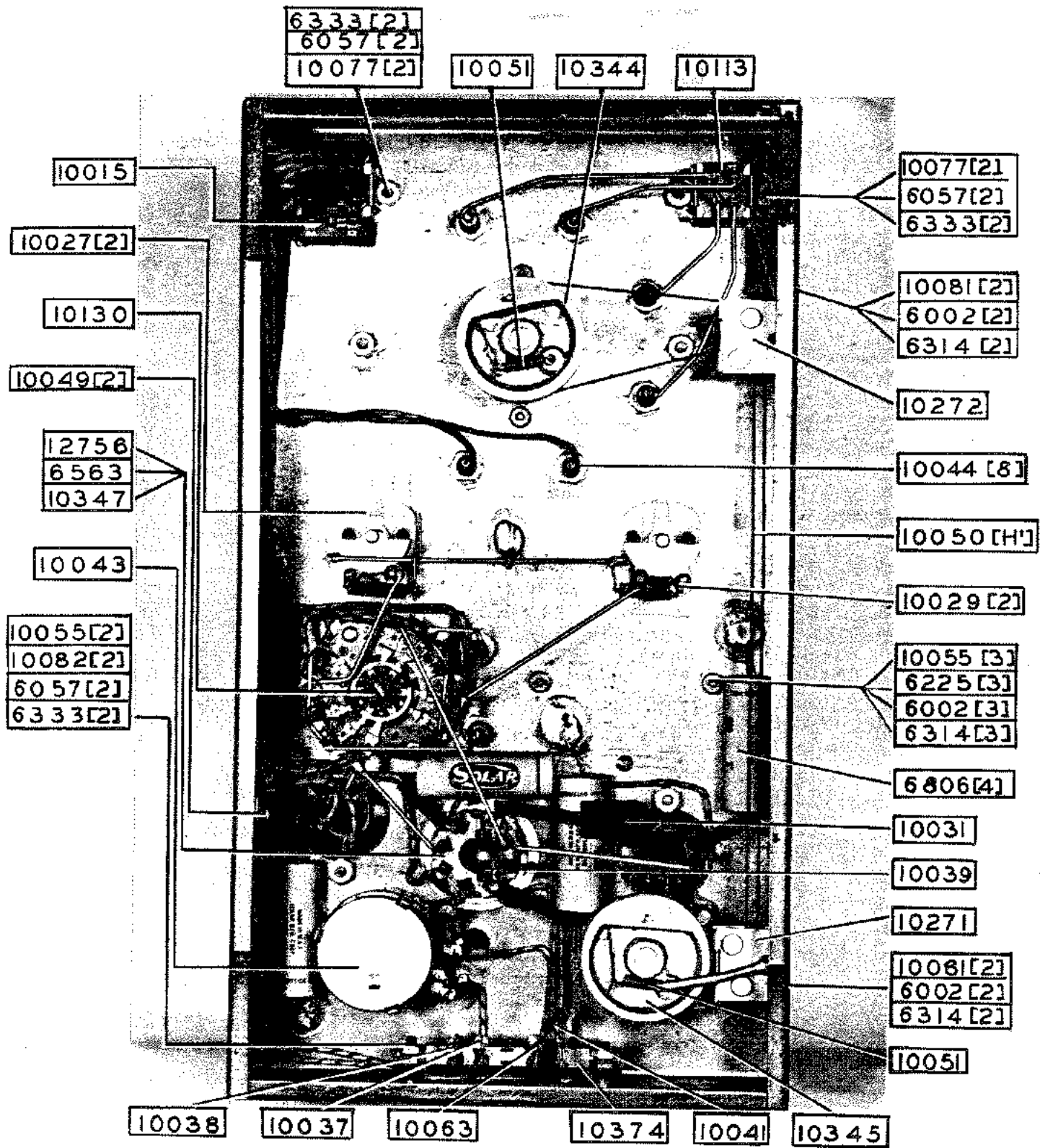


10095 TRANSMITTER ASSEMBLY, C-5 RADIO

10095 Transmitter Assembly, C-5 Radio

(Used on C5 Trainer Models)

Part No.	Nomenclature
6002	Nut, Hexagon Iron #4-36 x 1/4" x 3/32" Cad. Plt.
6057	Nut, Hexagon Iron #6-32 x 5/16" x 7/64" Cad. Plt.
6314	Washer, #4 Internal Teeth Lock-Steel
6315	Screw, R.H.B.M. #4-36 x 1-1/8" White Nickel
6333	Washer, #6 Internal Teeth Lock-Steel
10015	Connector, 12 Contact Chassis Type Plug
10018	Block, Gonio Mounting
10019	Clamp, Gonio Mounting
10030	Capacitor, Mica; .000015 Mfd. 600 Volts Per Min.
10032	Coil, Oscillator
10033	Coil, Amplifier
10034	Tube, Type-6K8-Radio
10042	Capacitor, Air; 15-220 Mfd. Variable
10056	Cap, Grid
10064	Wire, #14 (.0641) Dia.
10066	Lead, Gonio Rotor Long
10077	Screw, R.H.I.M. #6-32 x 1/4" Parkerized
10078	Screw, R.H.I.M. #4-36 x 1/4" Parkerized
10087	Grommet, Rubber 1/8" I.D. x 1/4" O.D.
10113	Connector, 4 Contact Chassis Type Plug
10346	Gonio Assembly
10373	Rotor Assembly, Gonio



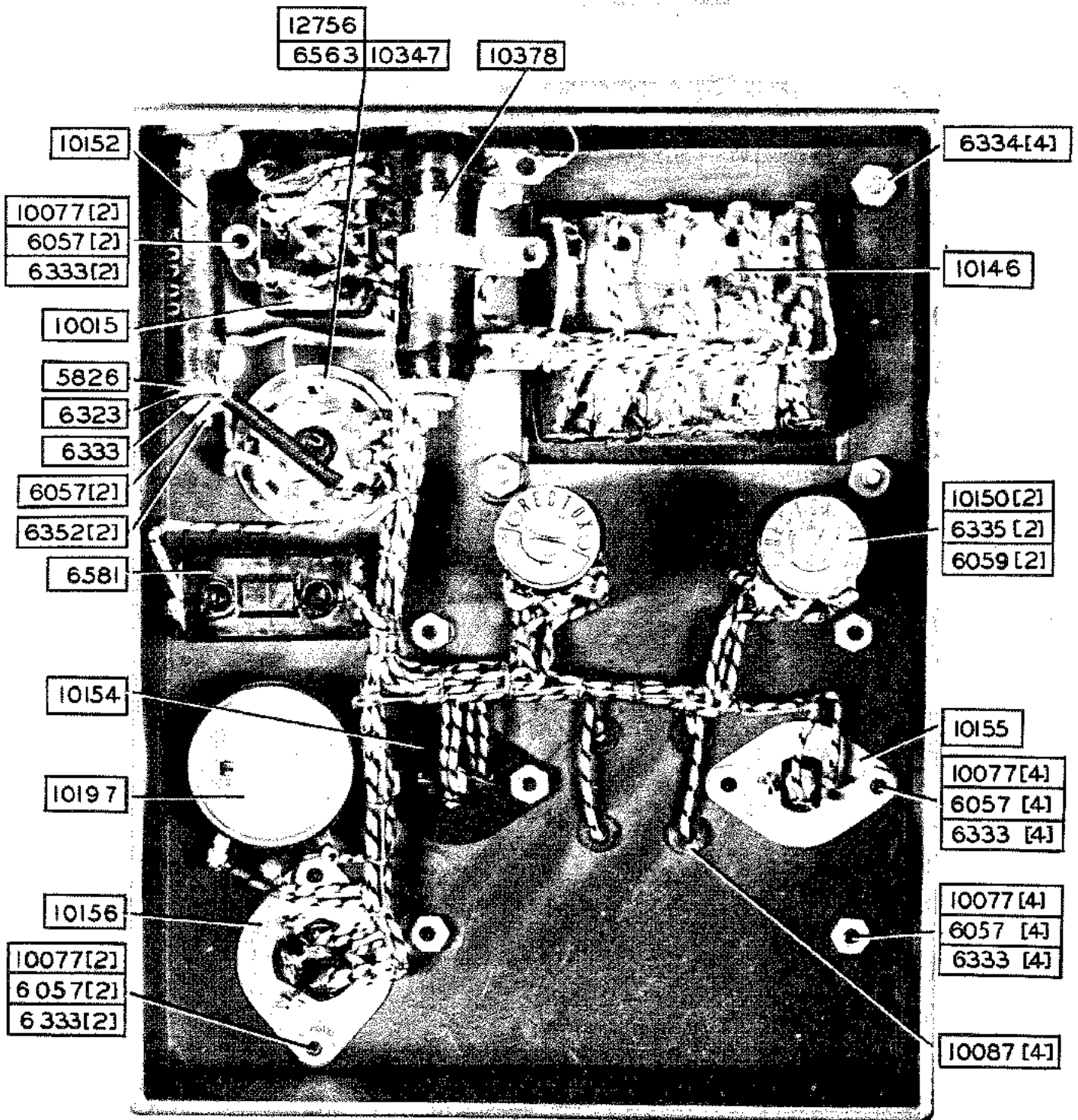
10095 TRANSMITTER ASSEMBLY, C-5 RADIO

10095 Transmitter Assembly, C-5 Radio

(Used on C5 Trainer Models)

Part No.	Nomenclature
6002	Nut, Hexagon Iron #4-36 x 1/4" x 3/32" Cad. Plated
6057	Nut, Hexagon Iron #6-32 x 5/16" x 7/64" Cad. Plated
6225	Screw, R.H.I.M. #4-36 x 1/2" Cad. Plated
6314	Washer, #4 Internal Teeth Lock-Steel
6333	Washer, #6 Internal Teeth Lock-Steel
6563	Retainer, Tube Socket
6806	Capacitor, Paper-.1 Mfd., 400 Volts
10015	Connector, 12 Contact Chassis Type Plug
10027	Capacitor, Air Padding
10029	Capacitor, Mica; .00007 Mfd. 1000 Volts
10031	Capacitor, Mica; .0003 Mfd. 1000 Volts
10037	Resistor, 40,000 Ohms; 1/2 Watt
10038	Resistor, 25,000 Ohms; 1/2 Watt
10039	Resistor, 50,000 Ohms; 1/2 Watt
10041	Resistor, Wire Wound, 250 Ohms, 1 Watt
10043	Potentiometer, Transmitter Volume; 1500 Ohms & 200,000 Ohms
10044	Insulator, Thru Point Bushing
10049	Nut, Anchor #6-32 Tap
10050	Cord, 1/32" Dia. Wire
10051	Spring, Gonio Drive Cable Take Up
10055	Spacer, 5/32" I.D. x 1/4" Long
10063	Resistor, 2500 Ohms; 1/2 Watt
10077	Screw, R.H.I.M. #6-32 x 1/4" Parkerized
10081	Screw, R.H.I.M. #4-36 x 3/16" Parkerized
10082	Screw, R.H.I.M. #6-32 x 5/8" Parkerized
10113	Connector, 4 Contact Chassis Type Plug
10130	Switch, Modulation Selector; 4 Position
* 10271	Hanger Assembly, Forward, C-5 Transmitter
* 10272	Hanger Assembly, Rear, C-5 Transmitter
10344	Shaft & Pulley Assembly, Gonio Rotor
* 10345	Shaft & Pulley Assembly, Azimuth
10347	Washer, Phenolic "S" Type Socket
10374	Mount Assembly, Resistor, C-5 Transmitter
12756	Socket, 8 Contact Black Bakelite

* Parts marked with an asterisk are obsolete. They are either available for service or a substitution of recent design may be made.



10350 CHASSIS ASSEMBLY, DESK POWER SUPPLY

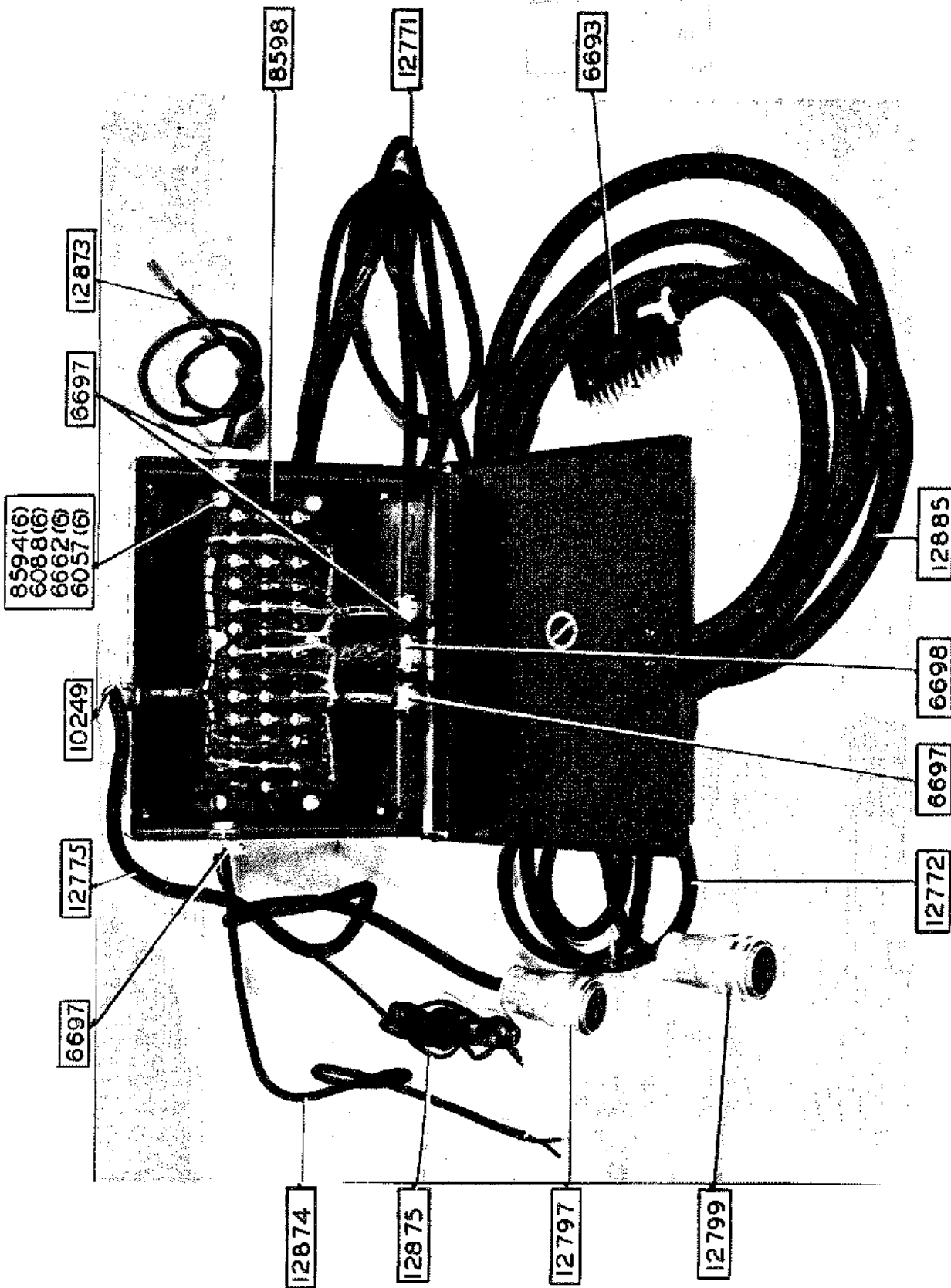
10350 Chassis Assembly, Desk Power Supply

(Used on C5 Trainer Models)

Part No.

Nomenclature

5826	Washer, Fibre, 5/16" Dia. Shoulder
6057	Nut, Hexagon Iron #6-32 x 5/16" x 7/64" Cad. Plt.
6059	Nut, Hexagon Iron #10-32 x 3/8" x 1/8" Cad. Plt.
6323	Washer, .190"-.188" x 3/8" x .064"-.060" Brass
6333	Washer, #6 Internal Teeth Lock-Steel
6334	Washer, #8 Internal Teeth Lock-Steel
6335	Washer, #10 Internal Teeth Lock-Steel
6352	Screw, R.H.I.M. #6-32 x 2-1/2" Cad. Plt.
6563	Retainer, Tube Socket
6581	Switch, Power
10015	Connector, 12 Contact Chassis Type Plug
10077	Screw, R.H.I.M. #6-32 x 1/4" Parkerized
10087	Grommet, Rubber 1/8" I.D. x 1/4" O.D.
10146	Transformer, Power C-5 Trainer
10150	Rectifier, Copper Oxide
10152	Resistor, Wirewound; 50,000 Ohms
10154	Plate, Capacitor Mounting Small Bakelite
10155	Plate, Capacitor Mounting; Small Metal
10156	Plate, Capacitor Mounting Large Metal
10197	Potentiometer, Wirewound; 200 Ohms
10347	Washer, Phenolic "S" Type Socket
10378	Resistor, Wire Wound (Adjustable) 1500 Ohms-25 Watt
12756	Socket, 8 Contact Black Bakelite



12860 BOX ASSEMBLY, C-3 DESK JUNCTION

12860 Box Assembly, C-3 Desk Junction

(Used on C3 Trainer Models)

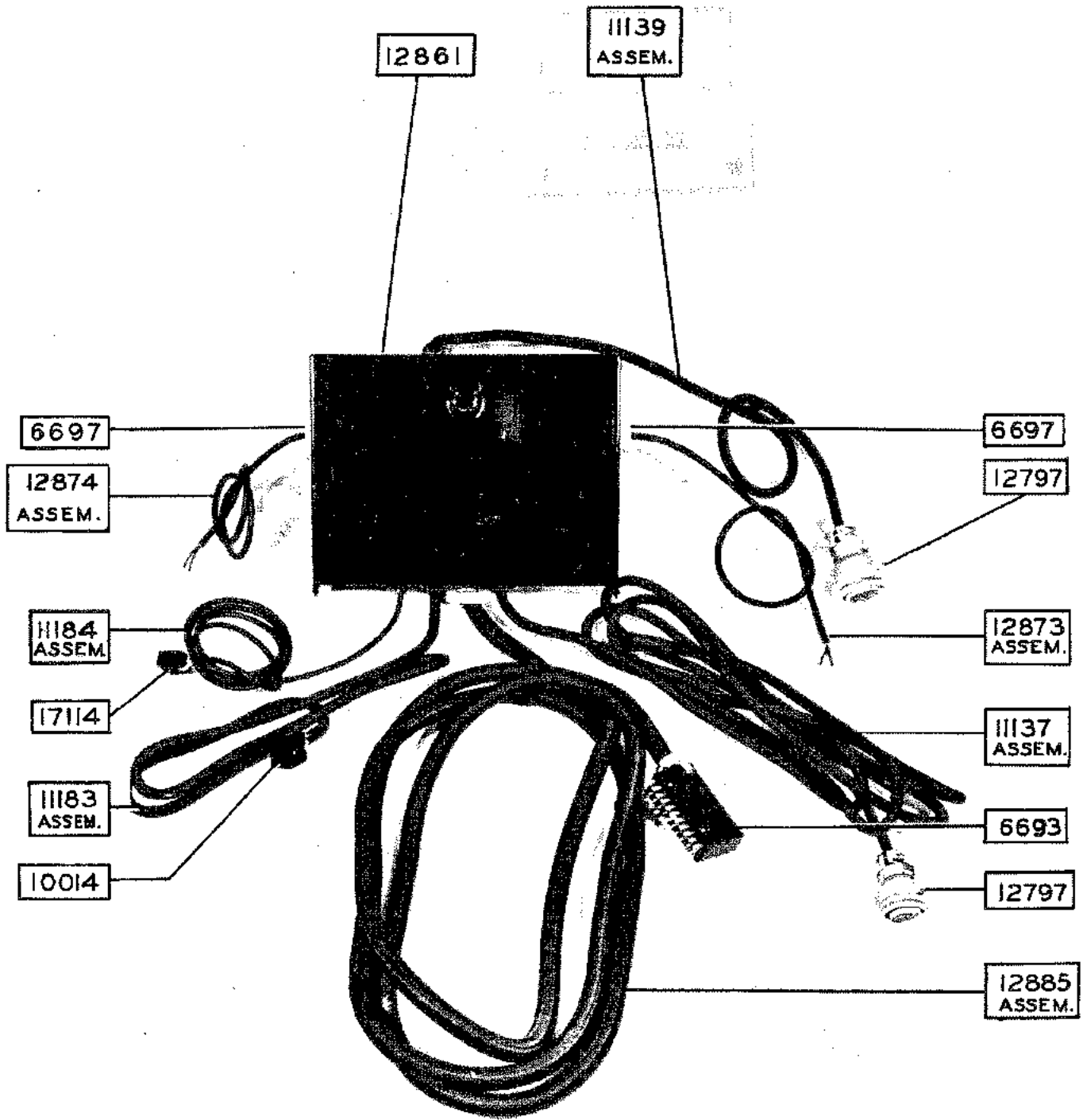
Part No.

Nomenclature

6057	Nut, Hexagon Iron #6-32 x 5/16" x 7/64" Cad. Plt.
6088	Screw, R.H.I.M. #6-32 x 1" Cad. Plt.
6662	Washer, .172"-.169" x 1/2" x .052"-.048" Steel
6693	Plug, 33 Contact
6697	Connector, Universal Conduit
6698	Connector, Cable
8594	Spacer, Desk Terminal Block
8598	Block Assem., Desk Terminal
10249	Connector, Cable 90°
12771	Cable Assembly, Recorder C-3
12772	Cable Assembly, Remote Instrument C-3
12775	Cable Assembly, Desk Radio C-3
12797	Connector, Cable #1 Polarization
12799	Connector, Cable Rev. #2 Polarization
12873	Cable Assembly, Right Headphones to Desk Junction Box
12874	Cable Assembly, Left Headphones to Desk Junction Box
12875	Cable Assembly, Desk Light to Desk Junction Box
12885	Cable Assembly, Desk to Base C-3 Trainer

Mountings for this Assembly in Desk

6009	Nut, Hexagon Iron #8-32 x 11/32" x 1/8" Cad. Plt.
6099	Screw, R.H.I.M. #8-32 x 3/4" Cad. Plt.
8531	Spacer, Toggle M'T'G' Short



III86 BOX ASSEM., DESK JUNCTION

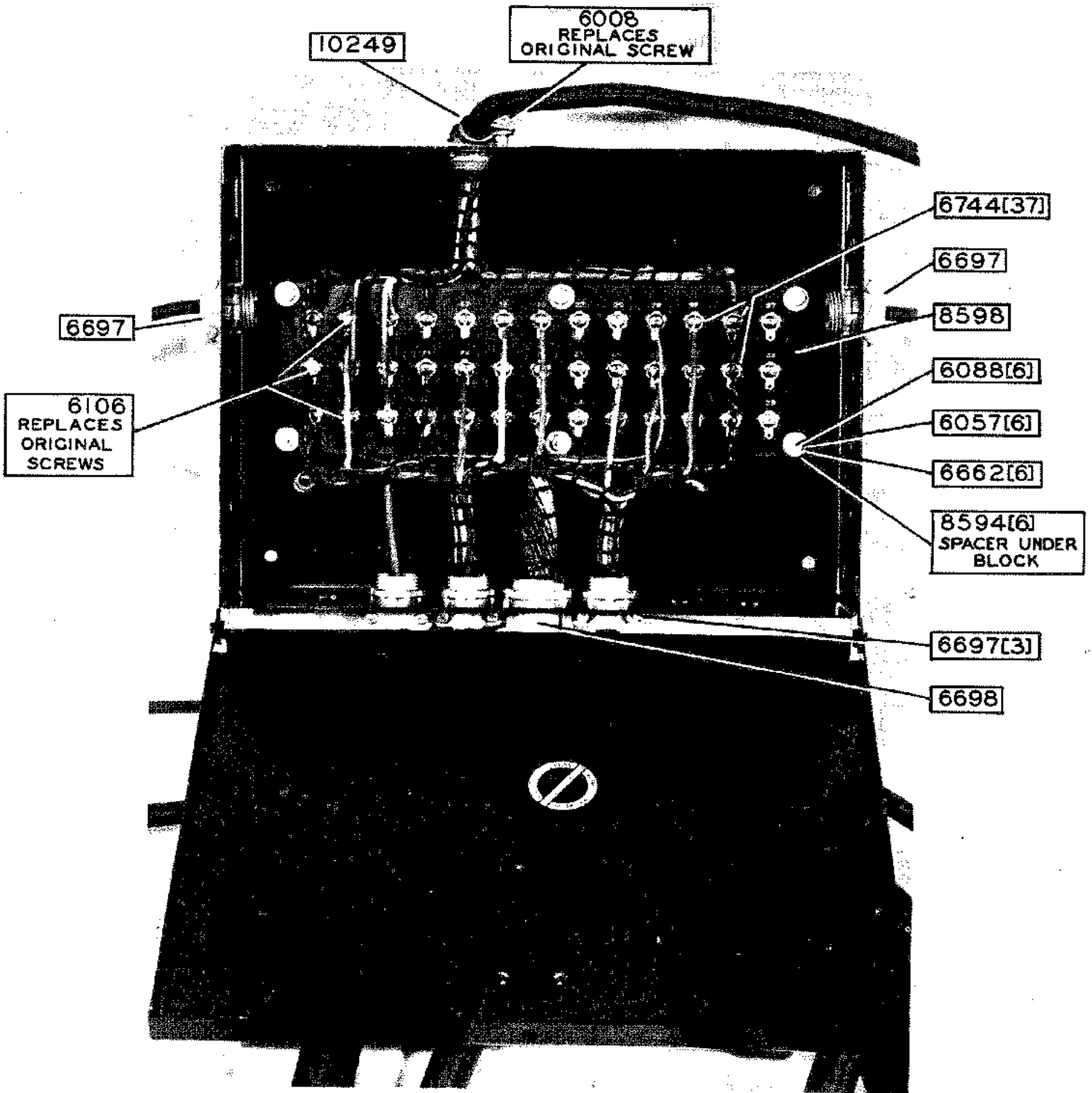
11186 Box Assembly Desk Junction

(Complete view of assembly used
on AN 2550-1 Trainer Models)

Part No.	Nomenclature
6693	Plug, 33 Contact
6697	Connector, Universal Conduit
10014	Connector, Socket 12 Contact
11137	Cable Assembly, Recorder to Desk Junction Box
11139	Cable Assembly, Desk Radio to Desk Junction Box
11183	Cable Assembly, Remote Instrument Case to Desk Junction Box
11184	Cable Assembly, Desk Junction Box to Radio Compass Azimuth Control
12797	Connector, Cable #1 Polarization
12861	Box, Desk Junction C-3 Radio
12873	Cable Assembly, Right Headphones to Desk Junction Box
12874	Cable Assembly, Left Headphones to Desk Junction Box
12885	Cable Assembly, Desk to Base C-3 Trainer
17114	Connector, Socket 6 Contact

Mountings for this Assembly on Desk

Part No.	Nomenclature
6009	Nut, Hexagon Iron #8-32 x 11/32" x 1/8" Cad. Plt.
6098	Screw, R.H.I.M. #8-32 x 2 Cad. Plt.
6203	Washer, 11/64" I.D. x 3/8" O.D. x 1/32" Steel Cad. Plt.
8531	Spacer, Toggle Mtg. Short



11186 BOX ASSEM., DESK JUNCTION

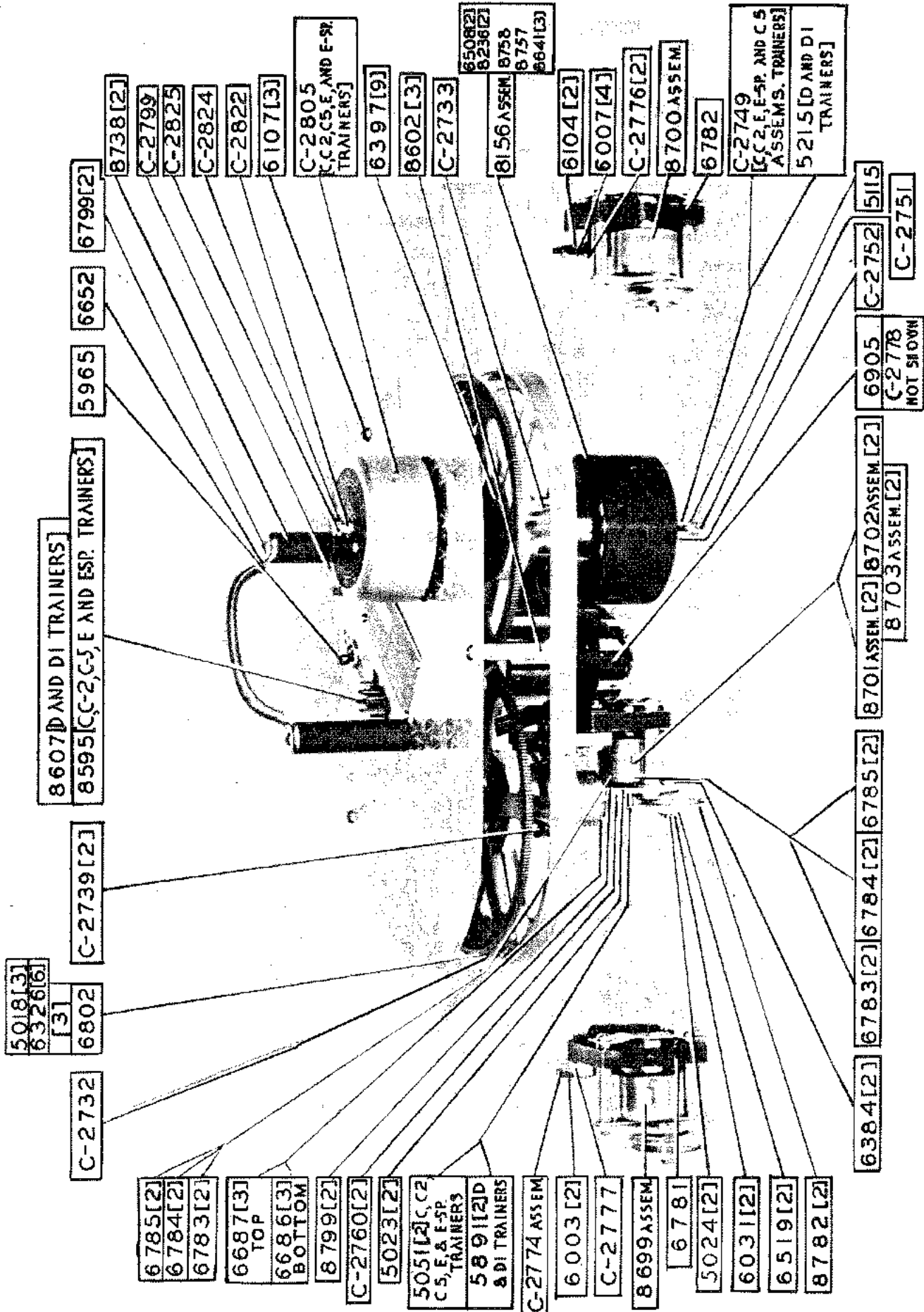
11186 Box Assembly, Desk Junction

(Interior View of assembly used
on AN-2550-1 Trainer Models)

Part No.	Nomenclature
6008	Screw, R.H.I.M. #8-32 x 3/8" Cad. Plt.
6057	Nut, Hexagon Iron #6-32 x 5/16" x 7/64" Cad. Plt.
6088	Screw, R.H.I.M. #6-32 x 1" Cad. Plt.
6106	Screw, R.H.I.M. #6-32 x 1/2" Cad. Plt.
6662	Washer, .172"-.169" x 1/2" x .052"-.048" Steel
6697	Connector, Universal Conduit
6698	Connector, Cable
6744	Clip, Terminal Bernard 81; 5/32 Hole
8594	Spacer, Desk Terminal Block
8598	Block Assem., Desk Terminal
10249	Connector, Cable 90°

Mountings for this Assembly on Desk

Part No.	Nomenclature
6009	Nut, Hexagon Iron #8-32 x 11/32 x 1/8" Cad. Plt.
6098	Screw, R.H.I.M. #8-32 x 2" Cad. Plt.
6203	Washer, 11/64" I.D. x 3/8" O.D. x 1/32" Steel Cad. Plt.
8531	Spacer, Toggle Mtg. Short



8731 AUTOMATIC RECORDER ASSEMBLY, TYPE 'C' TRAINER
 8732 AUTOMATIC RECORDER ASSEMBLY, TYPE 'D' TRAINER

8731 Automatic Recorder Assembly, Type "C" Trainer

8732 Automatic Recorder Assembly, Type "D" Trainer

(No. 8731 Assembly was used on C, C2, C5, E, Esp. Trainer Models. It is now obsolete and superseded by Assembly No. 9459. Old and new assemblies are interchangeable as units. No. 8732 Assembly was used on D, D1 Trainer Models and superseded by Assembly No. 9458 with which it is interchangeable.)

Part No.	Nomenclature
*C-2732	Plate, Automatic Recorder Bed
C-2733	Housing, Auto. Recorder Bearing
*C-2739	Collector Assembly, Automatic Recorder
C-2749	Spindle Assembly, Ink Wheel (Long)
C-2751	Wheel, Auto. Recorder Tracer
C-2752	Roller Assembly, Auto. Recorder Ink
*C-2760	Shaft, Motor Mounting
C-2774	Brush Assembly, Telechron Motor
C-2776	Brush, Telechron Motor
*C-2777	Spacer, Automatic Recorder Brush
C-2778	Gear, Autosyn Motor Drive
C-2799	Pointer, Radio Compass
C-2805	Control Assembly, Radio Compass
C-2822	Stud, Radio Compass Control Brush
C-2824	Pointer, Radio Compass Off Course
C-2825	Screw, Radio Compass Pointer Thumb
5018	Gear, Autosyn Motor Driven
*5023	Plate, Motor Mount Spindle
*5024	Shaft, Motor Mount Spindle Plate
5051	Gear, 12 Tooth, Telechron Motor Drive
5115	Pin, Auto. Recorder Tracer Wheel
5215	Spindle Assembly, Ink Wheel (Short)
5891	Gear, 11 Tooth, Telechron Motor Drive
5985	Switch Assembly, Automatic Recorder
6003	Screw, R.H.I.M. #6-32 x 3/8" Cad. Plt.
6007	Screw, R.H.I.M. #2-56 x 3/16" Cad. Plt.
6031	Pin, Cotter 1/16" Dia. x 1/2" Brass Bright Dip
6104	Screw, R.H.I.M. #6-32 x 7/8" Cad. Plt.
6107	Screw, R.H.I.M. #10-24 x 1-3/4" Chrome Plt.
6326	Screw, R.H.I.M. #6-32 x 5/16" Cad. Plt.
6384	Screw, Binding Hd. #8-32 x 3/8" Cad. Plt.
6397	Screw, F.H.I.M. #4-36 x 5/8" Cad. Plt.

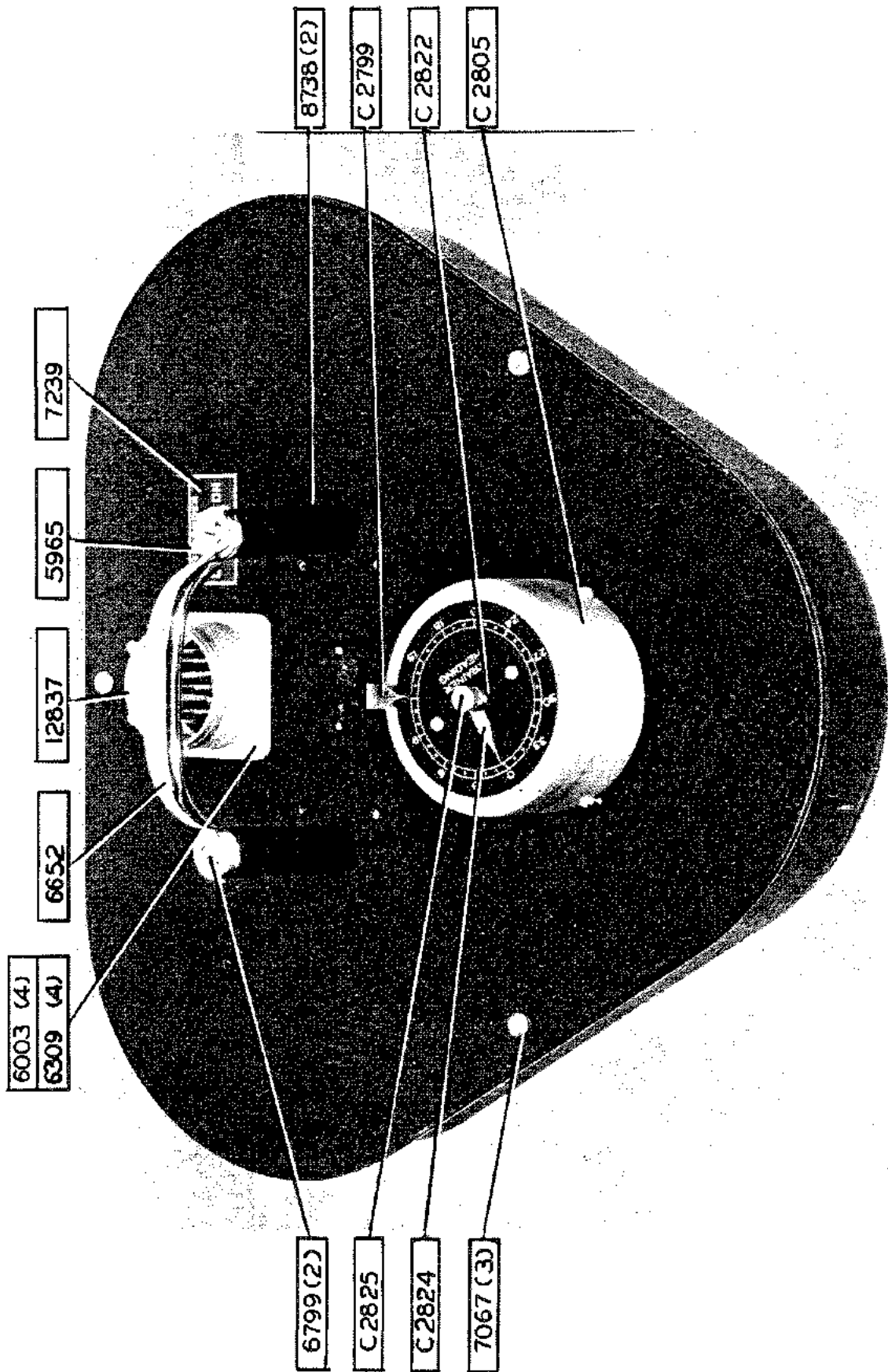
*Note: Parts marked with an asterisk are obsolete. They are either available for service or a substitution of recent design may be made.

8731 Automatic Recorder Assembly, Type "C" Trainer (Continued)

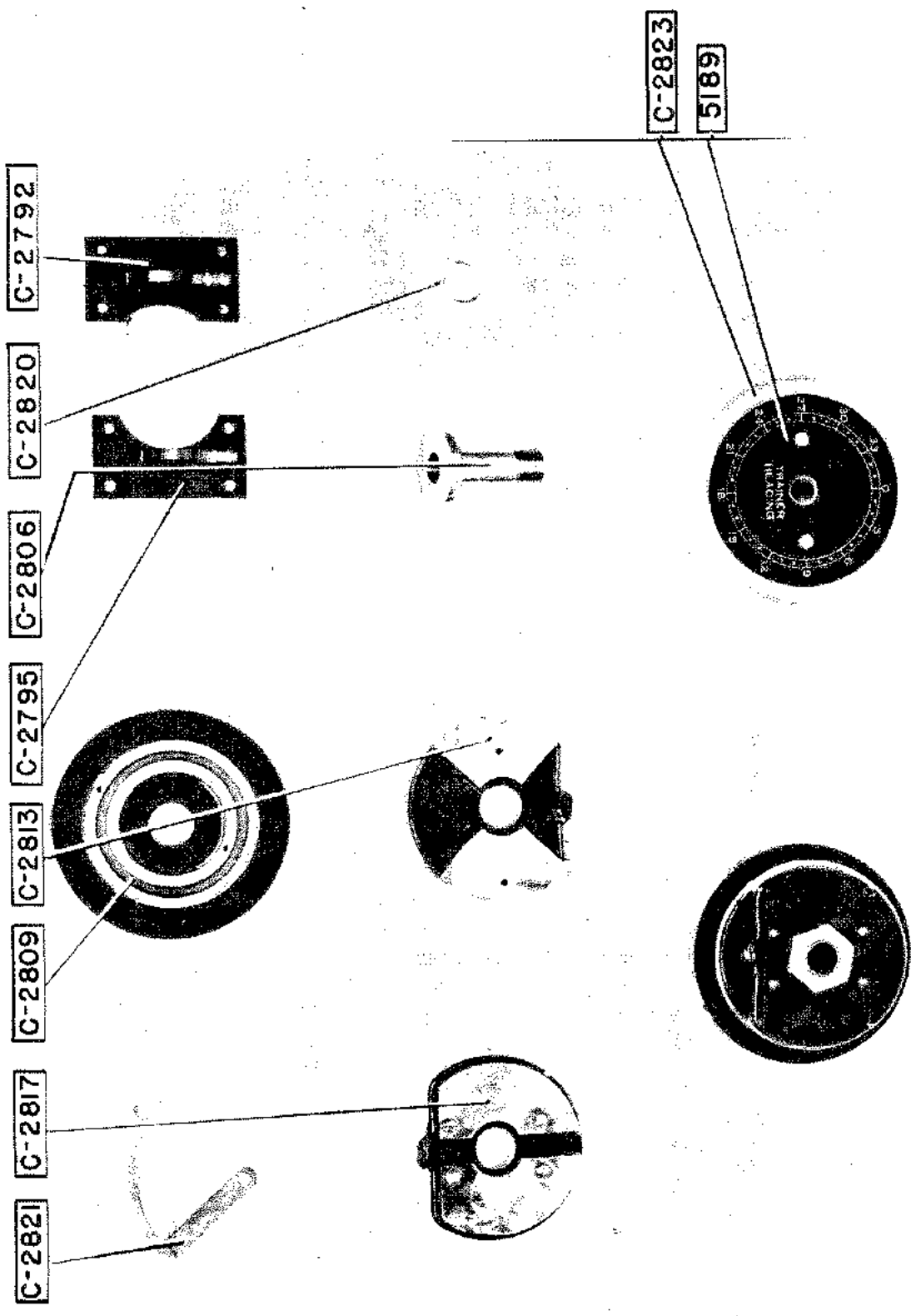
8732 Automatic Recorder Assembly, Type "D" Trainer (Continued)

Part No.	Nomenclature
6508	Lamp, Bayonet Base .2 Amp., 25 Volts
6519	Washer, 1/4"
6641	Screw, R.H. Type S-Groov-#4-40 x 5/16" Cad. Plt.
6652	Pull, Drawer
6686	Bearing, Single Shield, Bottom Ball
6687	Bearing, Single Shield, Top Ball
*6781	Motor, Telechron 50 Cycle-4 R.P.M.
6782	Motor, Telechron 50 Cycle-5/6 R.P.M.
6783	Motor, Telechron 60 Cycle-1 R.P.M.
*6784	Motor, Telechron 60 Cycle-4 R.P.M.
*6785	Motor, Telechron 60 Cycles-2 R.P.M.
6799	Screw, R.H.I.M. #8-32 x 2 1/2" Chrome Plated
6802	Washer, .320"-.315" x 1/2" x .065"-.063"
6905	Teletorque Unit
8156	Light Assembly, Auto. Recorder
8236	Socket Assembly, Automatic Recorder Light
8595	Plug Assembly, Automatic Recorder (Type "C")
*8602	Spacer, Automatic Recorder Bed Plate
8607	Plug Assembly, Automatic Recorder (Type "D")
*8699	Motor Assembly, Telechron 50 Cycle-4 R.P.M.
*8700	Motor Assembly, Telechron 50 Cycle 5/6 R.P.M.
*8701	Motor Assembly, Telechron 60 Cycle-1 R.P.M.
*8702	Motor Assembly, Telechron 60 Cycle-4 R.P.M.
*8703	Motor Assembly, Telechron 60 Cycle-2 R.P.M.
8738	Sleeve, Automatic Recorder Handle
8757	Spring, Light Housing Retainer
8758	Jumper, Automatic Recorder Light
*8782	Gear, Auto. Recorder Drive
*8799	Bolt, Motor Mount Plate

*Note: Parts marked with an asterisk are obsolete. They are either available for service or a substitution of recent design may be made.



9105 RECORDER ASSEMBLY, TYPE "C3" AUTO.



C-2805 CONTROL ASSEMBLY, RADIO COMPASS

9105 Recorder Assembly, Type "C3" Auto.

(Top view of Assembly used on C3 Trainer Models)

Part No.	Nomenclature
C-2799	Pointer, Radio Compass
C-2805	Control Assembly, Radio Compass
C-2822	Stud, Radio Compass Control Brush
C-2824	Pointer, Radio Compass Off Course
C-2825	Screw, Radio Compass Pointer Thumb
5965	Switch Assembly, Automatic Recorder
6003	Screw, R.H.I.M. #6-32 x 3/8" Cad. Plt.
6309	Nut, Hexagon Brass, #6-32 x 1/4" x 3/32" Cad. Plt.
6652	Pull, Drawer
6799	Screw, R.H.I.M. #8-32 x 2-1/2" Chrome Plated
7067	Screw, R.H.I.M. #10-24 x 1/2" Bright Chrome Plt.
7239	Plate, Recorder Off On
8738	Sleeve, Automatic Recorder Handle
12837	Receptacle Assembly, Recorder Plug C-3

9105 Recorder Assembly, Type "C3" Auto.

(Bottom view of Assembly used on C3 Trainer Models)

Part No.	Nomenclature
C-2733	Housing, Auto. Recorder Bearing
C-2749	Spindle Assembly, Ink Wheel (Long)
C-2751	Wheel, Auto. Recorder Tracer
C-2752	Roller Assembly, Auto. Recorder Ink
C-2774	Brush Assembly, Telechron Motor
C-2776	Brush, Telechron Motor
C-2778	Gear, Autosyn Motor Drive
5018	Gear, Autosyn Motor Driven
5115	Pin, Auto. Recorder Tracer Wheel
6003	Screw, R.H.I.M. #6-32 x 3/8" Cad. Plt.
6007	Screw, R.H.I.M. #2-56 x 3/16" Cad. Plt.
6009	Nut, Hexagon Iron #8-32 x 11/32" x 1/8" Cad. Plt.
6221	Screw, R.H.I.M. #6-32 x 3/4" Cad. Plt.
6224	Screw, R.H.I.M. #4-36 x 5/8" Cad. Plt.
6334	Washer, #8 Internal Teeth Lock - Steel
6508	Lamp, Bayonet Base .2 Amp., 25 Volts
6532	Screw, Bristo Headless I. Set #8-32 x 5/16" Half Dog Pt. Harden
6641	Screw, R.H. Type S-Groove - #4-40 x 5/16" Cad. Plt.
6686	Bearing, Single Shield, Bottom Ball
6687	Bearing, Single Shield, Top Ball

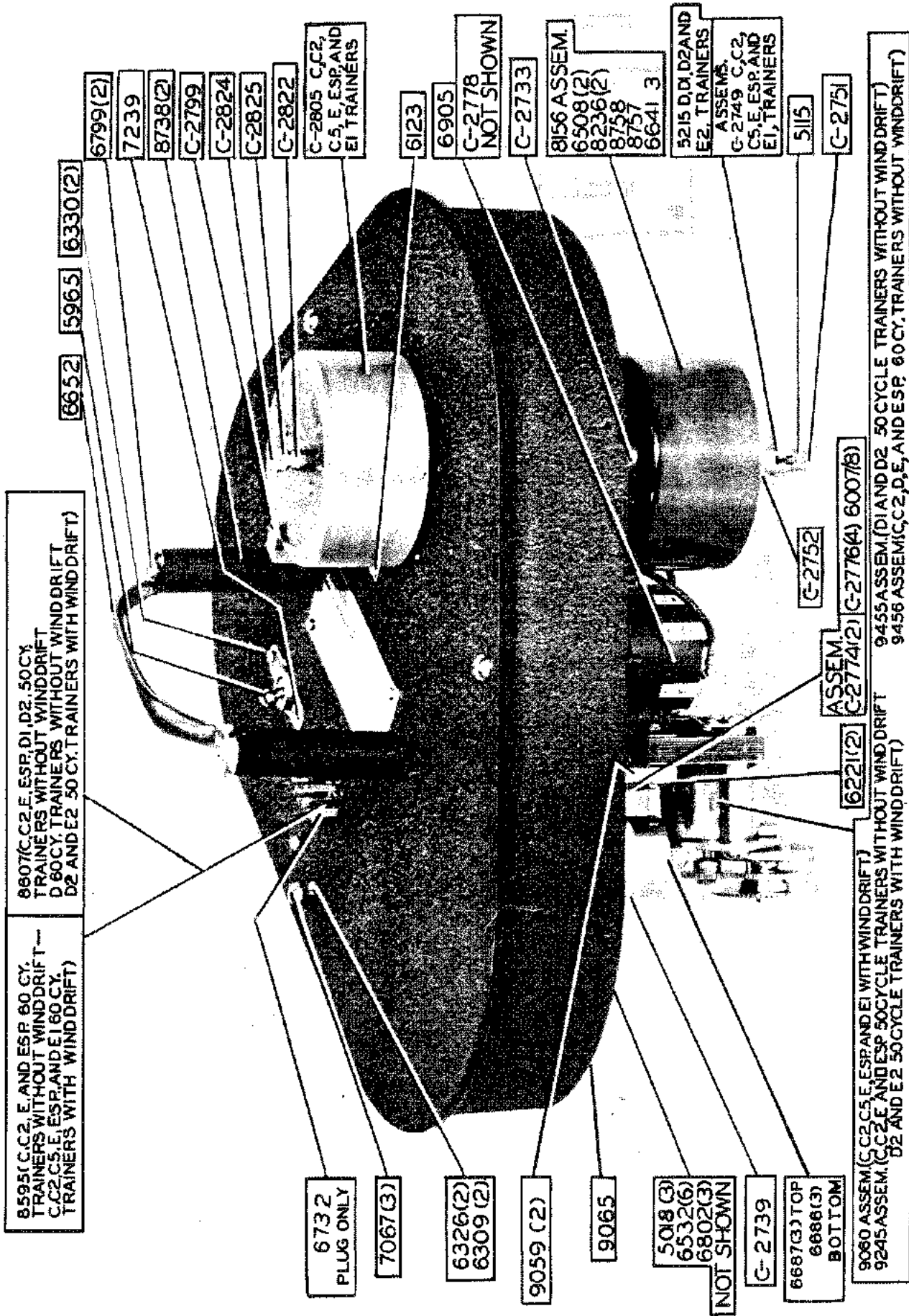
9105 Recorder Assembly, Type "C3" Auto. (Continued)

Part No.	Nomenclature
6783	Motor, Telechron 60 Cycle-1 R.P.M.
6802	Washer, .320"-.315" x 1/2" x .065"-.063"
6905	Teletorque Unit
6977	Washer, .189"-.187" x 3/8" x .002 Brass
7006	Screw, Bristo Headless I. Set #5-40 x 1/8" Cup Pt. Harden
7290	Collector Assembly, Automatic Recorder
8156	Light Assembly, Auto. Recorder
8236	Socket Assembly, Automatic Recorder Light
8757	Spring, Light Housing Retainer
8758	Jumper, Automatic Recorder Light
9049	Plate & Spindle Assembly, Automatic Recorder Motor Mount
9050	Pinion Assembly, Auto. Recorder Drive
9054	Gear, Auto. Recorder Drive Type C-3 Trainer
9056	Clip, Auto. Recorder Drive Gear
9058	Axle, Auto. Recorder Drive Wheel
9059	Spacer, Auto. Recorder Brush Type C-3 Trainer
9060	Motor Assembly, 60 Cycle-1 R.P.M.
9061	Clip, Spring (.187" x .020")
9065	Bed Plate, Automatic Recorder
9076	Wheel Assembly, Auto. Recorder Drive
12062	Screw, Bristo Headless I. Set #5-40 x 3/16" Cup Pt.

C-2805 Control Assembly, Radio Compass

(Used on C, C2, C3, C5, E, Esp, E1 Trainer Models)

Part No.	Nomenclature
C-2792	Brush Assembly, Radio Compass Control-Right
C-2795	Brush Assembly, Radio Compass Control-Left
C-2806	Bolt, Radio Compass Control Hollow
C-2809	Base Assembly, Radio Compass Control
C-2813	Plate Assembly, R.C. Control Resistance-B
C-2817	Plate Assembly, Radio Compass Control Top Resistance
C-2820	Nut, Radio Compass Control Hollow Bolt
C-2821	Brush Assembly, Radio Compass Control Contact Wiper
C-2823	Cover, Radio Compass Control
5189	Plate, Auto. Rec. Trainer Heading



8595(C,C2,E,AND ESP 60 CY. TRAINERS WITHOUT WINDDRIFT--C,C2,C5,E,ESP,AND EI 60 CY. TRAINERS WITH WINDDRIFT)

8607(C,C2,E,ESP,DI,D2,50CY TRAINERS WITHOUT WINDDRIFT D 60CY, TRAINERS WITHOUT WINDDRIFT D2 AND E2 50 CY. TRAINERS WITH WINDDRIFT)

6652 5965 6330(2)

6799(2)

7239

8738(2)

C-2799

C-2824

C-2825

C-2822

C-2805 C,C2, C5,E,ESP,AND EI TRAINERS

6732 PLUG ONLY

7067(3)

6326(2)
6309 (2)

9059 (2)

9065

5018 (3)
6532(6)
6802(3)
NOT SHOWN

C-2739

6687(3) TOP
6686(3)
BOTTOM

9060 ASSEM.(C,C2,C5,E,ESP AND EI WITH WINDDRIFT)
9245 ASSEM.(C,C2,E,AND ESP 50 CYCLE TRAINERS WITHOUT WINDDRIFT D2 AND E2 50 CYCLE TRAINERS WITH WINDDRIFT)

6221(2)

ASSEM
C-2774(2) C-2776(A) 6007(B)

9455 ASSEM.(DI AND D2 50 CYCLE TRAINERS WITHOUT WINDDRIFT)
9456 ASSEM.(C2,D,E,AND ESP 60 CY. TRAINERS WITHOUT WINDDRIFT)

9230 RECORDER ASSEMBLY, BRITISH--WD--TRAINER

9458 RECORDER ASSEMBLY, TYPE 'D', 50 CYCLE

8376 RECORDER ASSEMBLY, TYPE 'E', 50 CYCLE

9596 RECORDER ASSEMBLY, TYPE 'E', 60 CYCLE WINDDRIFT--11068 RECORDER ASSEMBLY, TYPE 'E', 110 VOLT S-60 CYCLE

9457 RECORDER ASSEMBLY, TYPE 'D', 60 CYCLE

9459 RECORDER ASSEMBLY, TYPE 'E', 60 CYCLE

9456 RECORDER ASSEMBLY, TYPE 'E', 110 VOLT S-60 CYCLE

6123

6905

C-2778 NOT SHOWN

C-2733

8156 ASSEM.

6508 (2)

8236(2)

8758

8757

6641 3

5215 D,DI,D2 AND EI TRAINERS

ASSEM.
C-2749 C,C2, C5,E,ESP AND EI, TRAINERS

5115

C-2751

C-2752

9230 Recorder Assembly, British-WD-Trainer
9458 Recorder Assembly, Type "D" 50 Cycle
8376 Recorder Assembly, Type "E" 50 Cycle
9596 Recorder Assembly, Type "E" 60 Cycle Wind Drift
9457 Recorder Assembly, Type "D" 60 Cycle
9459 Recorder Assembly, Type "E" 60 Cycle
11068 Recorder Assembly, Type -E-110 Volts-60 Cy.

(Assembly No. 9230 is used on D2, E2 Trainer Models with Wind Drift.

Assembly No. 9458 supersedes Assembly No. 8732 and is used on D1, D2 Trainer Models without Wind Drift. Old and new assemblies are interchangeable as units.

Assembly No. 8376 is used on 50 cycle C, C2, E, Esp. Trainer Models without Wind Drift.

Assembly No. 9596 is used on C, C2, C5, E, Esp. Trainer Models with Wind Drift.

Assembly No. 9457 supersedes Assembly No. 8732 and is used on 60 cycle D Trainer Models without Wind Drift.

Assembly No. 9459 supersedes Assembly No. 8731 and is used on 60 cycle C, C2, E, Esp. Trainer Models without Wind Drift. Old and new assemblies are interchangeable as units. Assembly No. 11068 is used on E1 Trainer Models with Wind Drift.)

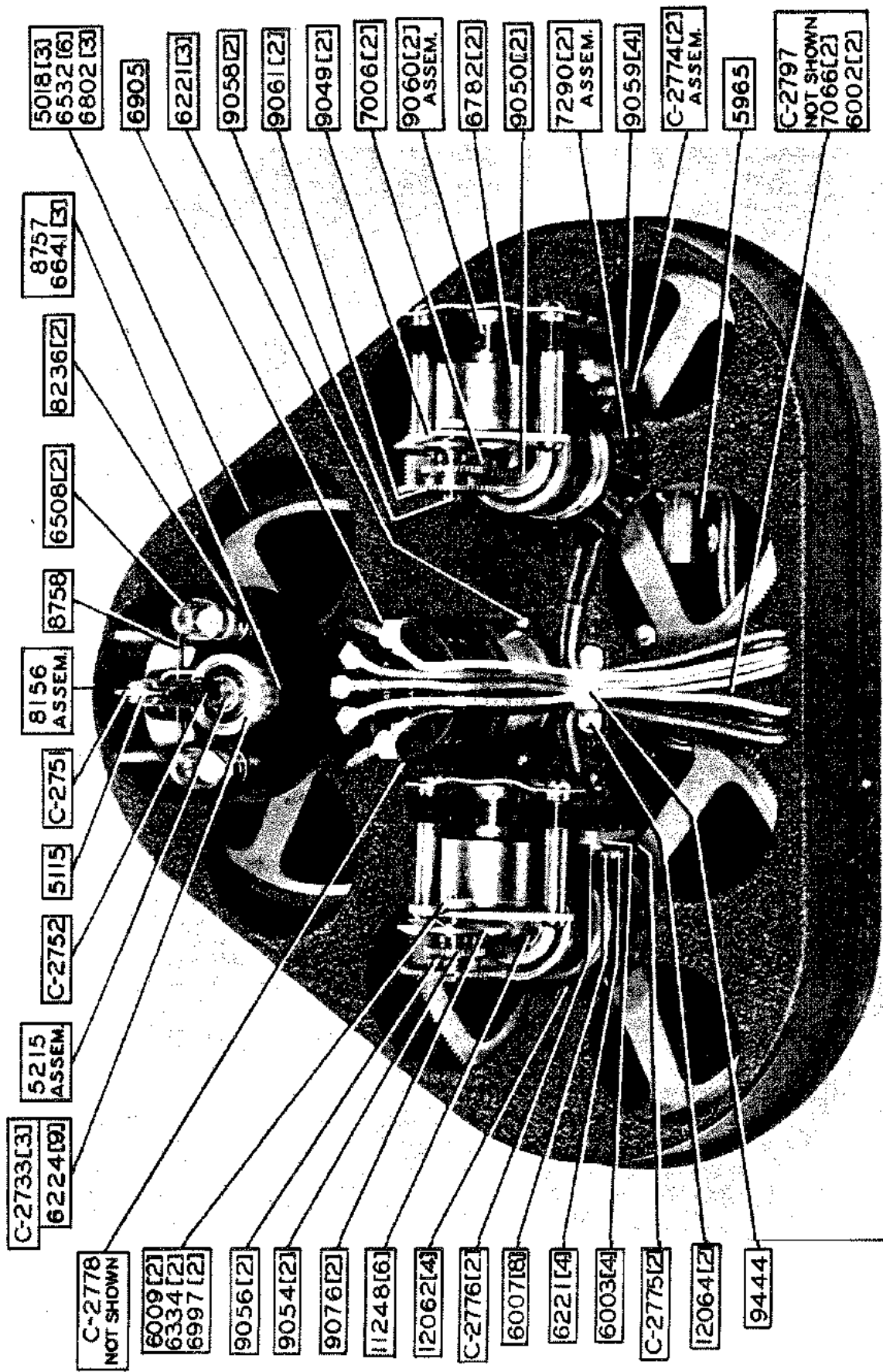
Part No.	Nomenclature
C-2733	Housing, Auto. Recorder Bearing
C-2739	Collector Assembly, Automatic Recorder (Note: This assembly is obsolete and superseded by Part No. 7290. It is not interchangeable unless furnished with additional parts. These are contained in Group No. 90036.)
C-2749	Spindle Assembly, Ink Wheel (Long)
C-2751	Wheel, Auto. Recorder Tracer
C-2752	Roller Assembly, Auto. Recorder Ink
C-2774	Brush Assembly, Telechron Motor
C-2776	Brush, Telechron Motor
C-2778	Gear, Autosyn Motor Drive
C-2799	Pointer, Radio Compass
C-2805	Control Assembly, Radio Compass
C-2822	Stud, Radio Compass Control Brush
C-2824	Pointer, Radio Compass Off Course
C-2825	Screw, Radio Compass Pointer Thumb
5018	Gear, Autosyn Motor Driven

9230 Recorder Assembly, British-WD-Trainer (Continued)
9458 Recorder Assembly, Type "D" 50 Cycle (Continued)
8376 Recorder Assembly, Type "E" 50 Cycle (Continued)
9596 Recorder Assembly, Type "E" 60 Cycle Wind Drift (Continued)
9457 Recorder Assembly, Type "D" 60 Cycle (Continued)
9459 Recorder Assembly, Type "E" 60 Cycle (Continued)
11068 Recorder Assembly, Type-E-110 Volts-60 Cy. (Continued)

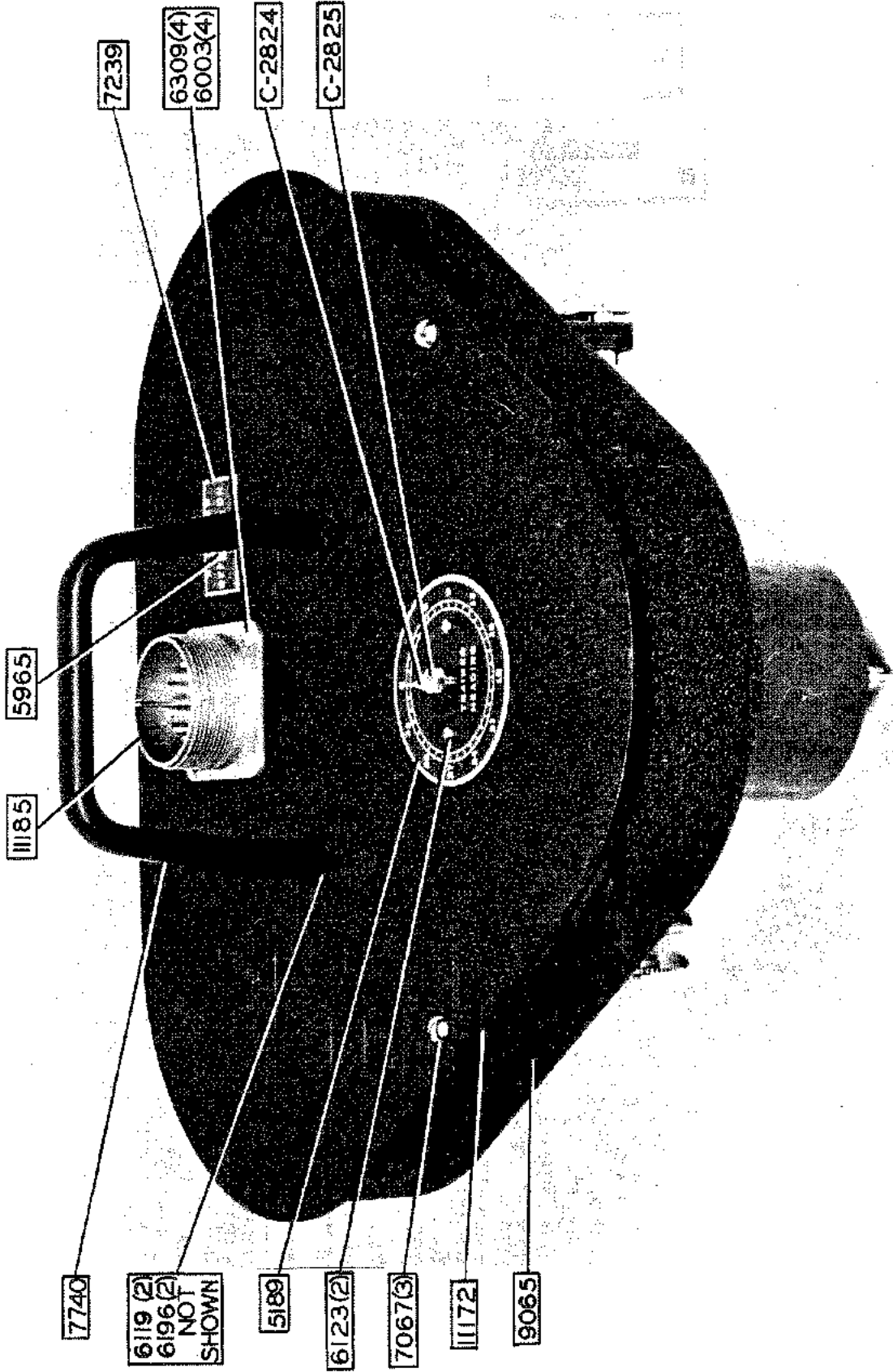
Part No.

Nomenclature

5115 Pin, Auto. Recorder Tracer Wheel
5215 Spindle Assembly, Ink Wheel (Short)
5965 Switch Assembly, Automatic Recorder
6007 Screw, R.H.I.M. #2-56 x 3/16" Cad. Plt.
6123 Screw, Binding Head Type "Z" #2 x 3/16" Nickel
6221 Screw, R.H.I.M. #6-32 x 3/4" Cad. Plt.
6309 Nut, Hexagon Brass #6-32 x 1/4 x 3/32 Cad. Plt.
6326 Screw, R.H.I.M. #6-32 x 5/16 Cad. Plt.
6330 Screw, Parker-Kalon Type U-I Drive #00 x 1/8" Nickel
6508 Lamp, Bayonet Base .2 Amp., 25 Volt
6532 Screw, Bristo Headless I. Set #8-32 x 5/16 Half Dog Pt. Harden
6641 Screw, R.H. Type S-Groov-#4-40 x 5/16" Cad. Plt.
6652 Pull, Drawer
6686 Bearing, Single Shield, Bottom Ball
6687 Bearing, Single Shield, Top Ball
6732 Plug, Automatic Recorder
6799 Screw, R.H.I.M. #8-32 x 2-1/2" Chrome Plated
6802 Washer, .320"-.315" x 1/2" x .065"-.063"
6905 Teletorque Unit
7067 Screw, R.H.I.M. #10-24 x 1/2" Bright Chromium Plated
7239 Plate, Recorder Off-On
8156 Light Assembly, Auto. Recorder
8236 Socket Assembly, Automatic Recorder Light
8595 Plug Assembly, Automatic Recorder (Type "C")
8607 Plug Assembly, Automatic Recorder (Type "D")
8738 Sleeve, Automatic Recorder Handle
8757 Spring, Light Housing Retainer
8758 Jumper, Automatic Recorder Light
9059 Spacer, Auto. Recorder Brush, Type C-3 Trainer
9060 Motor Assembly, 60 Cycle-1 R.P.M.
9065 Bed Plate, Automatic Recorder
9245 Motor Assembly, 50 Cycle 5/6 R.P.M.
9455 Motor Assembly, 50 Cycle 2/3" Per Min.
9456 Motor Assembly, 60 Cycle-.845" Per Min.



11171 RECORDER ASSEMBLY, STANDARDIZATION TRAINER AUTOMATIC



11171 RECORDER ASSEMBLY, STANDARDIZATION TRAINER AUTOMATIC

11171 Recorder Assembly, Standardization Trainer Automatic

(Bottom View of Assembly Used on AN 2550-1 Trainer Models)

Part No.	Nomenclature
C-2733	Housing, Auto. Recorder Bearing
C-2751	Wheel, Auto. Rec. Tracer
C-2752	Roller Assembly, Auto. Rec. Ink
C-2774	Brush Assembly, Telechron Motor
C-2775	Plate, Telechron Motor Brush
C-2776	Brush, Telechron Motor
C-2778	Gear, Autosyn Motor Drive
C-2797	Clip, Automatic Recorder Wires
5018	Gear, Autosyn Motor Driven
5115	Pin, Auto. Recorder Tracer Wheel
5215	Spindle Assembly Ink Wheel (Short)
5965	Switch Assembly, Auto. Rec.
6002	Nut, Hexagon Iron #4-36 x 1/4 x 3/32 Cad. Plt.
6003	Screw, R.H.I.M. #6-32 x 3/8 Cad. Plt.
6007	Screw, R.H.I.M. #2-56 x 3/16 Cad. Plt.
6009	Nut, Hexagon Iron #8-32 x 11/32 x 1/8 Cad. Plt.
6221	Screw, R.H.I.M. #6-32 x 3/4" Cad. Plt.
6224	Screw, R.H.I.M. #4-36 x 5/8" Cad. Plt.
6334	Washer, #8 Internal Teeth-Lock Steel
6508	Lamp, Bayonet Base .2 Amp. 25 Volts
6532	Screw, Bristo H'dless I. Set #8-32 x 5/16" Half Dog Pt. Hardened
6641	Screw, R.H. Type "S" Groov #4-40 x 5/16 Cad. Plt.
6782	Motor, Telechron 60 Cycle 5/6 R.P.M.
6802	Washer, .320"-.315" x 1/2" x .065"-.063"
6905	Teletorque Unit
6997	Screw, Fil. H.I.M. #5-40 x 1/2" Cad. Plt.
7006	Screw, Bristo Headless I. Set #5-40 x 1/8" Cup Pt. Harden
7066	Screw, R.H.I.M. #4-36 x 3/8" Bright Chr. Plt.
7290	Collector Assembly, Automatic Recorder
8156	Light Assembly, Auto. Recorder
8236	Socket Assembly, Automatic Recorder Light
8757	Spring, Light Housing Retainer
8758	Jumper, Automatic Recorder Light
9049	Plate and Spindle Assembly, Automatic Recorder Motor Mount
9050	Pinion Assembly, Auto. Recorder Drive
9054	Gear, Auto. Recorder Drive Type C-3 Trainer
9056	Clip, Auto. Recorder Drive Gear
9058	Axle, Auto. Recorder Drive Wheel
9059	Spacer, Auto. Recorder Brush Type C-3 Trainer
9061	Clip, Spring (.187" x .020")
9076	Wheel Assembly, Auto. Recorder
9060	Motor Assembly 60 Cycle - 1 RPM

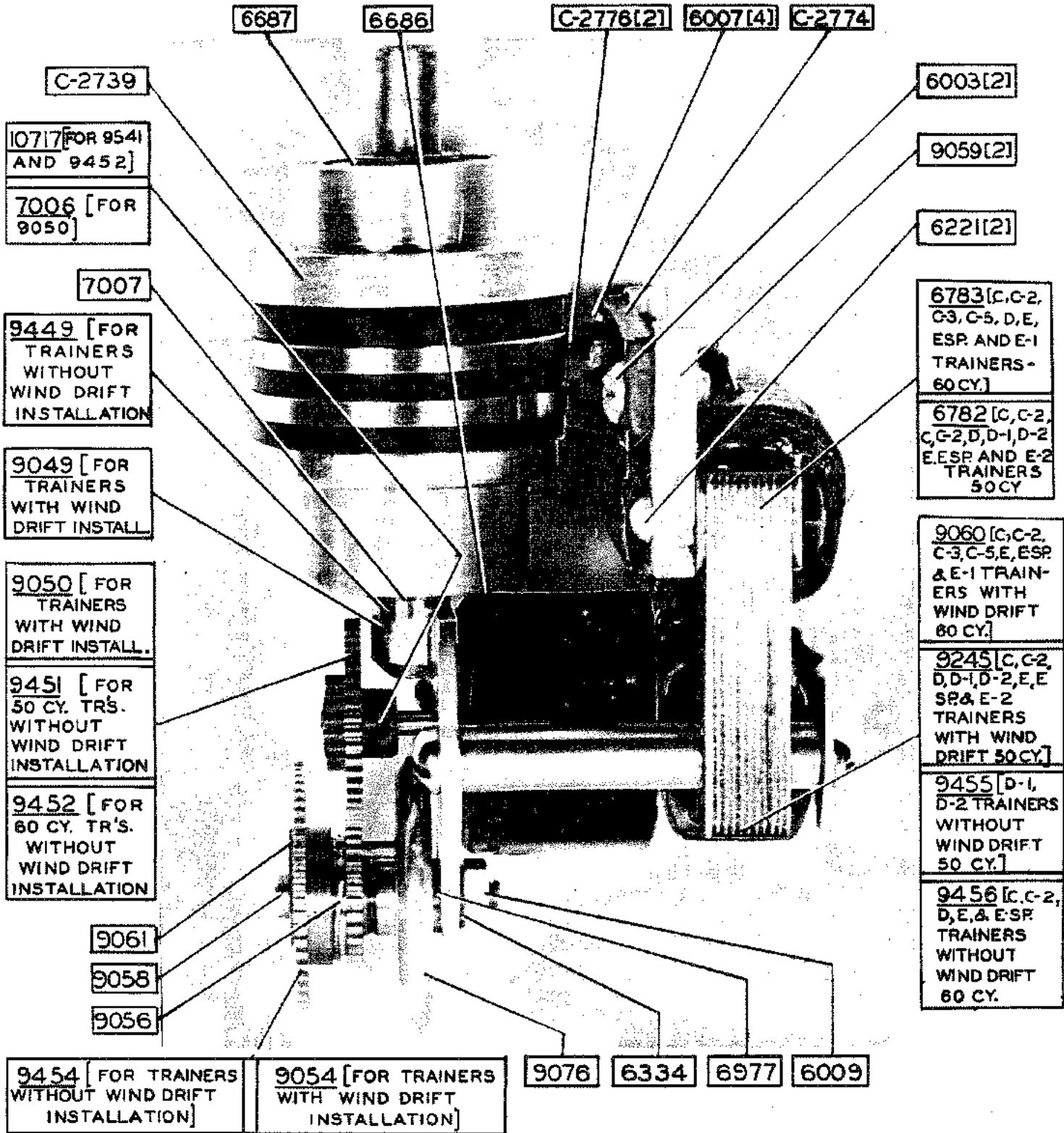
11171 Recorder Assembly, Standardization Trainer Automatic (Cont'd)

Part No.	Nomenclature
9444	Clamp, Recorder Wire
11248	Bearing, Single Shielded Ball
12062	Screw, Bristo Headless I. Set #5-40 x 3/16" Cup Pt.
12064	Screw, R.H.I.M. #5-40 x 3/16" Cad. Plt.

11171 Recorder Assembly, Standardization Trainer Automatic

(Top View of Assembly Used on AN 2550-1 Trainer Models)

Part No.	Nomenclature
C-2824	Pointer, Radio Compass OFF Course
C-2825	Screw, Radio Compass Pointer Thumb
5189	Plate, Auto. Rec. Trainer Heading
5965	Switch Assembly, Automatic Recorder
6003	Screw, R.H.I.M. #6-32 x 3/8 Cad. Plt.
6119	Screw, R.H.I.M. #10-32 x 1/2 Cad. Plt.
6123	Screw, Binding Head Type "Z" #2 x 3/16" Nickel
6196	Washer, 13/64 x 1/2" x .049" Steel Cad. Plt.
6309	Nut, Hexagon Brass #6-32 x 1/4" x 3/32" Cad. Plt.
7067	Screw, R.H.I.M. #10-24 x 1/2" Bright Chromium Pltd.
7239	Plate, Recorder OFF-ON
7740	Handle, Auto. Rec.
9065	Bed Plate, Automatic Recorder
11172	Plate, Standardization Trainer Auto. Rec. Cover
11185	Plug Assembly, Standardization Auto. Recorder

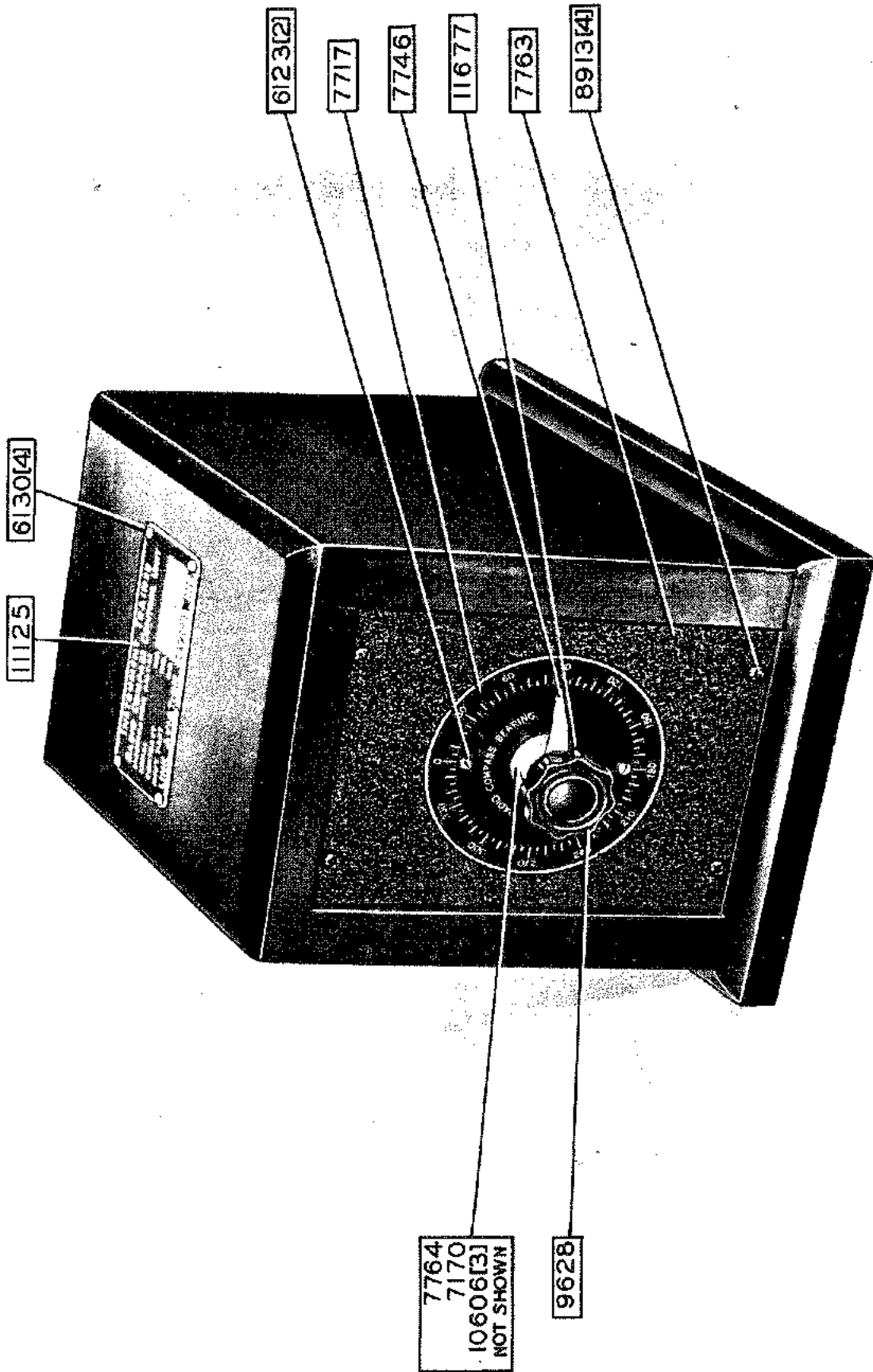


AUTOMATIC RECORDER MOTOR AND COLLECTOR ASSEMBLY

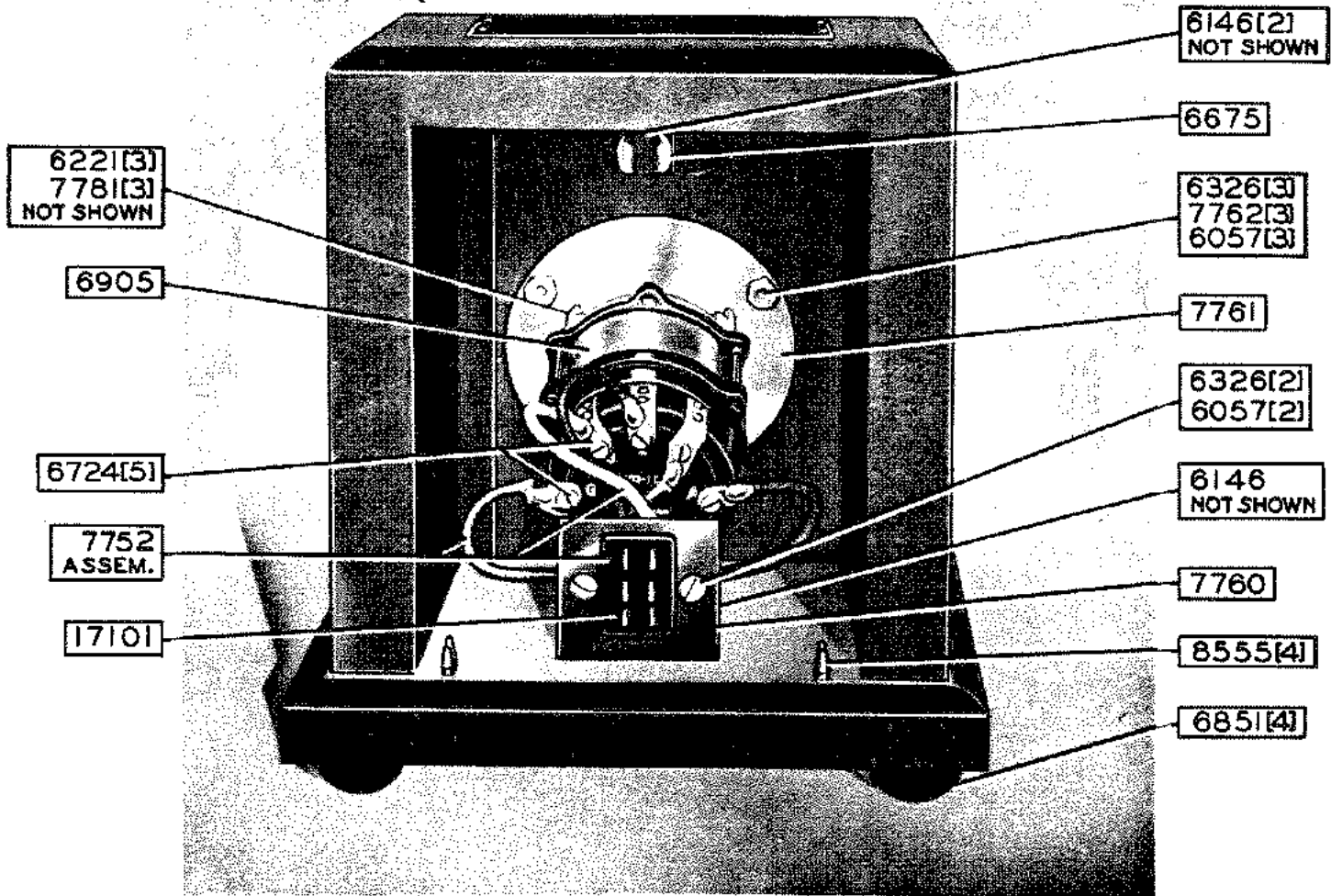
Automatic Recorder Motor and Collector Assembly

(Used on all Trainer Models)

Part No.	Nomenclature
C-2739	Collector Assembly, Automatic Recorder (Note: This Assembly is obsolete and superseded by Part No. 7290. It is not interchangeable unless furnished with additional parts. These are contained in Group No.90036)
C-2774	Brush Assembly, Telechron Motor
C-2776	Brush, Telechron Motor
6003	Screw, R.H.I.M. #6-32 x 3/8" Cad. Plt.
6007	Screw, R.H.I.M. #2-56 x 3/16" Cad. Plt.
6009	Nut, Hexagon Iron #8-32 x 11/32" x 1/8" Cad. Plt.
6221	Screw, R.H.I.M. #6-32 x 3/4" Cad. Plt.
6334	Washer, #8 Internal Teethlock-Steel
6686	Bearing, Single Shield, Bottom Ball
6687	Bearing, Single Shield, Top Ball
6782	Motor, Telechron 50 Cycle-5/6 R.P.M.
6783	Motor, Telechron 60 Cycle-1 R.P.M.
6977	Washer, .189"-.187" x 3/8" x .002" Brass
7006	Screw, Bristo Headless I. Set #5-40 x 1/8"
7007	Ring, 3/8" x .046" Open Type Retaining
9049	Plate and Spindle Assembly, Automatic Recorder Motor Mount
9050	Pinion Assembly, Auto. Recorder Drive
9054	Gear, Auto. Recorder Drive Type C-3 Trainer
9056	Clip, Auto. Recorder Drive Gear
9058	Axle, Auto. Recorder Drive Wheel
9059	Spacer, Auto. Recorder Brush Type C-3 Trainer
9060	Motor Assembly, 60 Cycle-1 R.P.M.
9061	Clip, Spring (.187" x .020")
9076	Wheel Assembly, Auto. Recorder Drive
9245	Motor Assembly, 50 Cycle-5/6 R.P.M.
9449	Plate & Spindle Assembly, Rec. Motor Mount
9451	Pinion Assembly, Auto. Recorder (11/33)
9452	Pinion Assembly, Auto. Recorder (12/33)
9454	Gear, Auto. Recorder Drive
9455	Motor Assembly, 50 Cycle, 2/3" Per. Min.
9456	Motor Assembly, 60 Cycle-.845" Per. Min.
10717	Screw, Bristo Headless Set #4-40 x 1/8" Cup Pt.



7765 TRANSMITTER ASSEMBLY, RADIO COMPASS



7765 TRANSMITTER ASSEMBLY, RADIO COMPASS

7765 Transmitter Assembly, Radio Compass

(Front view of assembly used on AN 2550-1 Trainer Models)

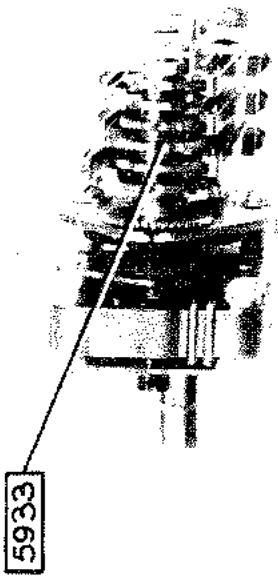
Part No.	Nomenclature
6123	Screw, Binding Head Type "Z" #2 x 3/16" Nickel
6130	Screw, R.H.I.W. #2 x 1/4" Cad. Plt.
7170	Drive, Planetary Vernier
7717	Plate, Radio Compass Bearing
7746	Pointer Assembly, Radio Compass Transmitter
7763	Plate, Radio Compass Transmitter Teletorque Motor Mounting
7764	Adapter, Teletorque Motor Shaft
8913	Screw, Remote Instrument Case
9628	Knob, Azimuth Control
11125	Plate, Radio Compass Control Unit
10606	Screw, Fil. H.I.M. #5-40 x 1/4" O.H. Cad. Plt.
11677	Screw, Bristo Headless I. Set #6-32 x 1/8" Cup Pt.

7765 Transmitter Assembly, Radio Compass

(Rear view of assembly used on AN 2550-1 Trainer Models)

Part No.	Nomenclature
6057	Nut, Hexagon Iron #6-32 x 5/16" x 7/64" Cad. Plt.
6146	Screw, R.H.I.W. #6 x 3/4" Cad. Plt.
6221	Screw, R.H.I.M. #6-32 x 3/4" Cad. Plt.
6326	Screw, R.H.I.M. #6-32 x 5/16" Cad. Plt.
6675	Catch, Cabinet Spring Plunger
6724	Terminal, Solder Lug Flat Type - #6 Hole
6851	Tack, #1 White Rubber Bumper
6905	Teletorque Unit
7752	Connector Assembly, Radio Compass Transmitter
7760	Bracket, Radio Compass Transmitter Connector
7761	Support, Radio Compass Transmitter Pointer Mounting
7762	Spacer, 3/16 I.D. x 5/16 O.D. x 3/4
7781	Spacer, 3/16 I.D. x 5/16 O.D. x 1/2
8555	Pin, Base Panel Retainer
17101	Connector Plug, 6 Contact - Chassis Type

8012 KEYER, LINK RADIO RANGE
TYPE "D" 110V. 50 CYCLE



12753 KEYER ASSEM., TYPE "C-3"

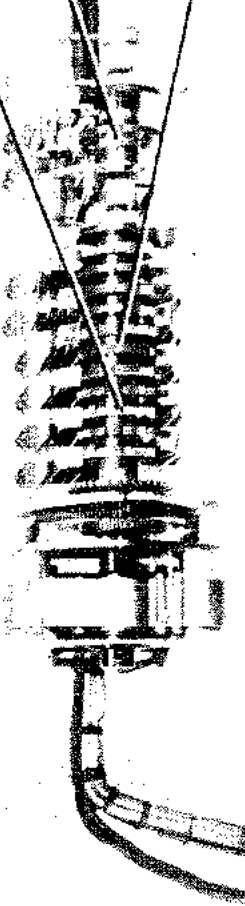


10445
KEYER
ASSEM.,
COMPLETE
TYPE "C-5"



8009 KEYER, LINK RADIO RANGE
TYPE "C" 110V. 60 CYCLE

8172
TYPE "E"



8170 KEYER ASSEM., LINK RADIO RANGE
TYPE "E" 110V. 60 CYCLE
10481 KEYER ASSEM.

5929
USE ON
BOTH KEYERS

10477
10478
USE OPTIONALLY
ON AN 2550-1

10445 Keyer Assembly, Complete Type C-5

8012 Keyer, Link Radio Range Type "D" 110 Volt 50 Cycles

12753 Keyer Assembly, Type "C-3"

8009 Keyer, Link Radio Range Type "C" 110 V. 60 Cycle

8170 Keyer Assembly, Link Radio Range Type "E" 110 V. 60 Cycle

10481 Keyer Assembly

Assembly No. 10445 is used on C-5 Trainer Models.

Assembly No. 8012 is used on D, D1, D2 Trainer Models.

Assembly No. 12753 is used on C-3 Trainer Models.

Assembly No. 8009 is used on C, C2 Trainer Models.

Assembly No. 8170 is used on E, Esp., E1, E2 Trainer Models.

Assembly No. 10481 is used on AN 2550-1 Trainer Models.

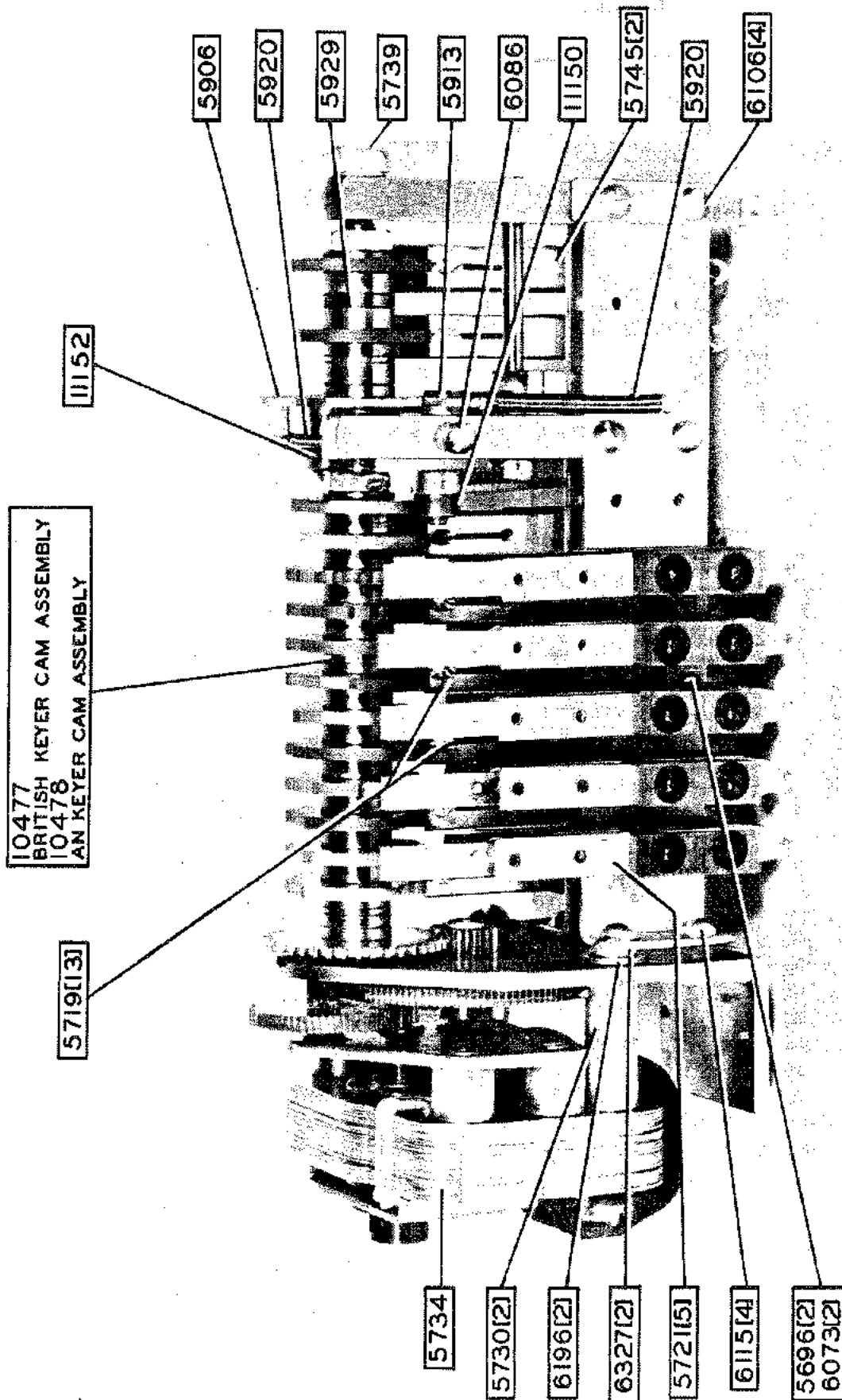
Part No.

Nomenclature

5929	Cam Assembly, Switching Type C 50-60 Cycle
5930	Cam Assembly, Type C, 60 Cycle
5933	Cam Assembly, Type D, 50 Cycle
8172	Cam Assembly, Type E, 60 Cycle
10242	Cam Assembly, Switching
10243	Cam Assembly, C-5 Keyer
10477	Cam Assembly, British Keyer
10478	Cam Assembly, A.N. Keyer

Mountings for these assemblies in Desk

6001	Screw, R.H.I.M. #4-36 x 3/8" Cad. Plt.
6002	Nut, Hexagon Iron #4-36 x 1/4" x 3/32" Cad. Plt.
6009	Nut, Hexagon Iron #8-32 x 11/32" x 1/8" Cad. Plt.
6010	Screw, R.H.I.M. #8-32 x 1/2" Cad. Plt.
6057	Nut, Hexagon Iron #6-32 x 5/16" x 7/64" Cad. Plt.
6106	Screw, R.H.I.M. #6-32 x 1/2" Cad. Plt.
6196	Washer, 13/64" x 1/2" x .049" Steel Cad. Plt.
6225	Screw, R.H.I.M. #4-36 x 1/2" Cad. Plt.
6314	Washer, #4 Internal Teeth Lock-Steel
6319	Washer, .130" x 9/32" x .025" Brass Cad. Plt.
6522	Washer, 5/32" x 7/16" x .049" Steel Cad. Plt.
10087	Grommet, Rubber 1/8" I.D. x 1/4" O.D.



10481 KEYSER ASSEMBLY

10481 Keyer Assembly

(Front View of Assembly Used on AN 2550-1 Trainer Models.
Parts shown may be used on other models where applicable.)

Part No.	Nomenclature
5722	Contact Assembly, Call - Rear
5723	Contact Assembly, Interlock
5734	Motor, Keyer Chassis 110 Volt, 50-60 Cycle
5745	Contact Assembly, Switching
5906	Pawl Assembly, Ratchet
5920	Spring, Stop Pawl
6309	Nut, Hexagon Brass #6-32 x 1/4" x 3/32" Cad. Plt.
11152	Lever Assembly, Ratchet

Mountings for this Assembly on Radio

6001	Screw, R. H. I. M. #4-36 x 3/8 Cad. Plt.
6002	Nut, Hexagon Iron #4-36 x 1/4 x 3/32 Cad. Plt.
6314	Washer, #4 Internal Teeth Lock Steel
6522	Washer, Steel 5/32 x 7/16 x .049
10052	Terminal, Solder Lug Flat Type #8 Hole
10087	Grommet, Rubber 1/8 I. D. x 1/4 O. D.

5723
ASSEM.

5920

11152

5906

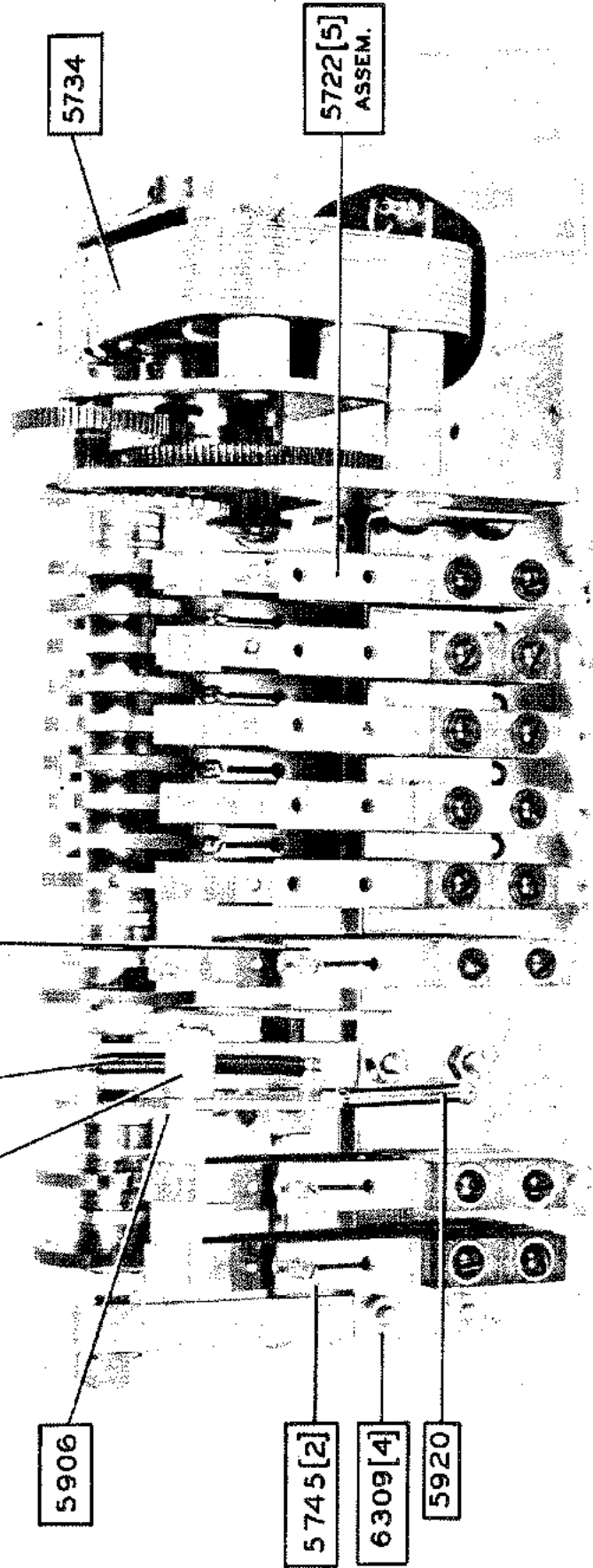
5745 [2]

6309 [4]

5920

5734

5722 [5]
ASSEM.

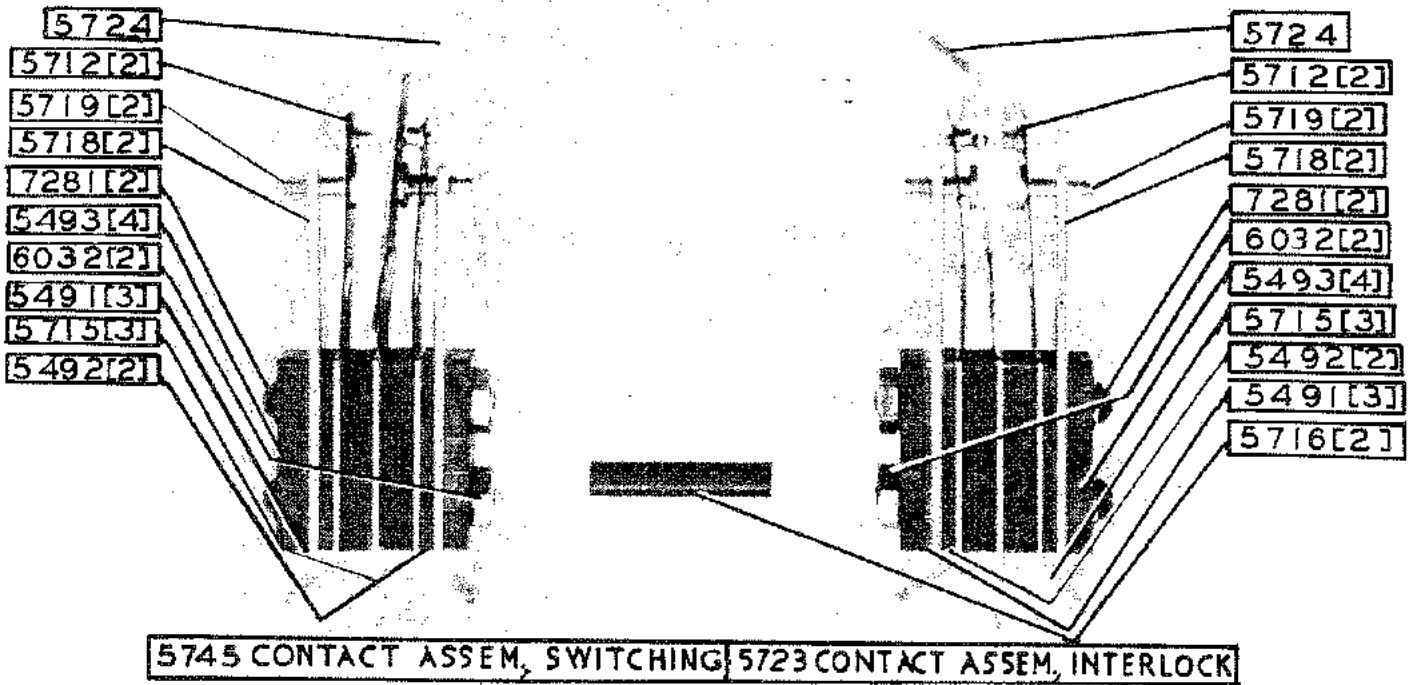
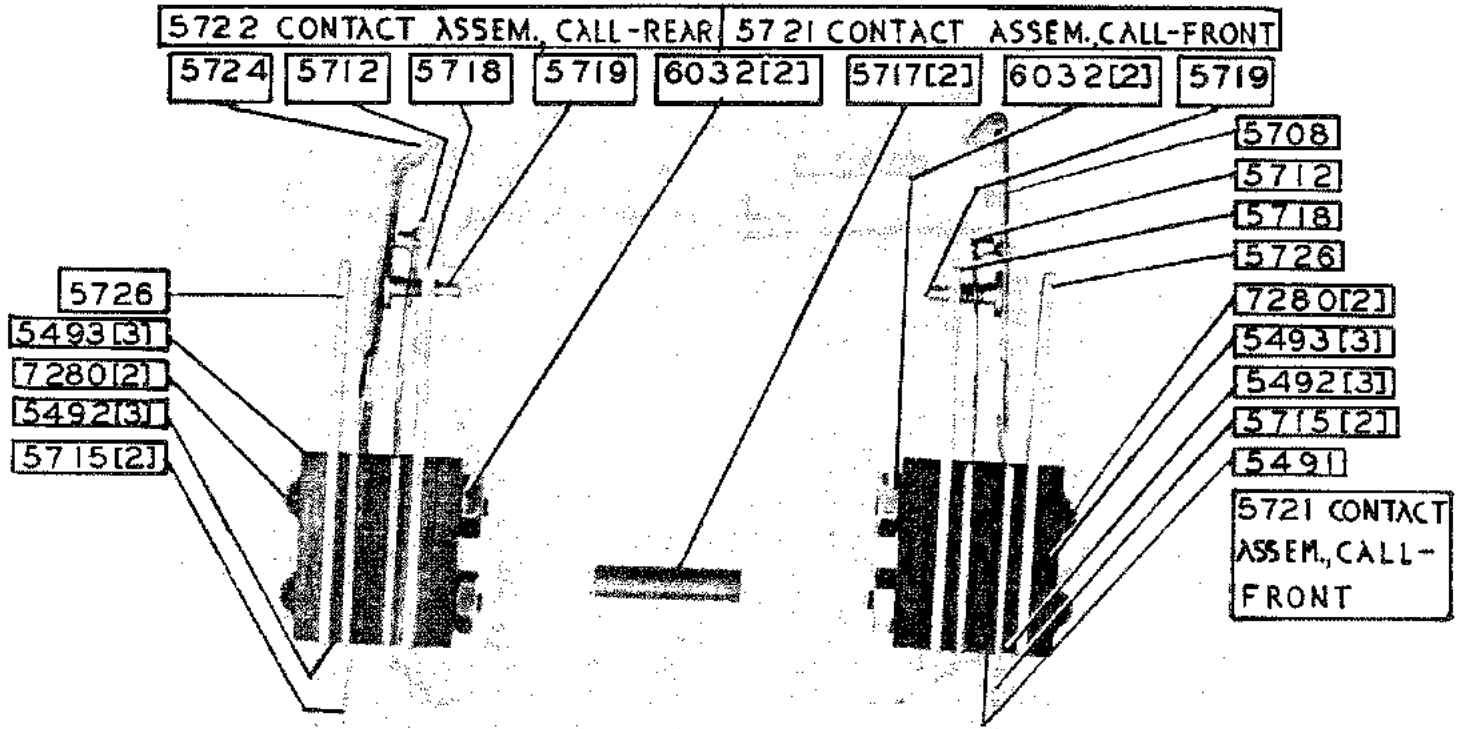


10481 KEYER ASSEMBLY

10481 Keyer Assembly

(Rear View of Assembly Used on AN 2550-1 Trainer Models.
Parts shown may be used on other models where applicable.)

Part No.	Nomenclature
5696	Spacer, Mounting Bracket Type E Keyer
5719	Screw, Contact Adjustment
5721	Contact Assembly, Call Front
5730	Spacer, Motor
5734	Motor, Keyer Chassis 110 Volt, 50-60 Cycle
5739	Pin Assembly, Type C Bearing
5745	Contact Assembly, Switching
5906	Pawl Assembly, Ratchet
5913	Pawl, Stop
5920	Spring, Stop Pawl
5929	Cam Assembly, Switching Type C 50-60 Cycle
6073	Screw, F. H. I. M. #2-56 x 5/16" Cad. Plt.
6086	Screw, R. H. I. M. #6-32 x 3/16" Cad. Plt.
6106	Screw, R. H. I. M. #6-32 x 1/2" Cad. Plt.
6115	Screw, R. H. I. M. #8-32 x 3/16" Cad. Plt.
6196	Washer, 13/64" x 1/2" x .049" Steel Cad. Plt.
6327	Screw, R. H. I. M. #10-32 x 3/4" Cad. Plt.
10477	Cam Assembly, British Keyer
10478	Cam Assembly, A. N. Keyer
11150	Lever Assembly, Cam
11152	Lever Assembly, Ratchet
Mountings for this Assembly on Radio	
6001	Screw, R. H. I. M. #4-36 x 3/8" Cad. Plt.
6002	Nut, Hexagon Iron #4-36 x 1/4" x 3/32" Cad. Plt.
6314	Washer, #4 Internal Teeth Lock-Steel
6522	Washer, Steel 5/32" x 7/16" x .049" Steel Cad. Plt.
10052	Terminal, Solder Lug; Flat Type #8 Hole
10087	Grommet, Rubber 1/8" I.D. x 1/4" O. D.



VIEW OF CONTACT ASSEMBLIES

View of Contact Assemblies

5721 Contact Assembly, Call-Front

5722 Contact Assembly, Call-Rear

5723 Contact Assembly, Interlock

5745 Contact Assembly, Switching

(Used on all Trainer Models)

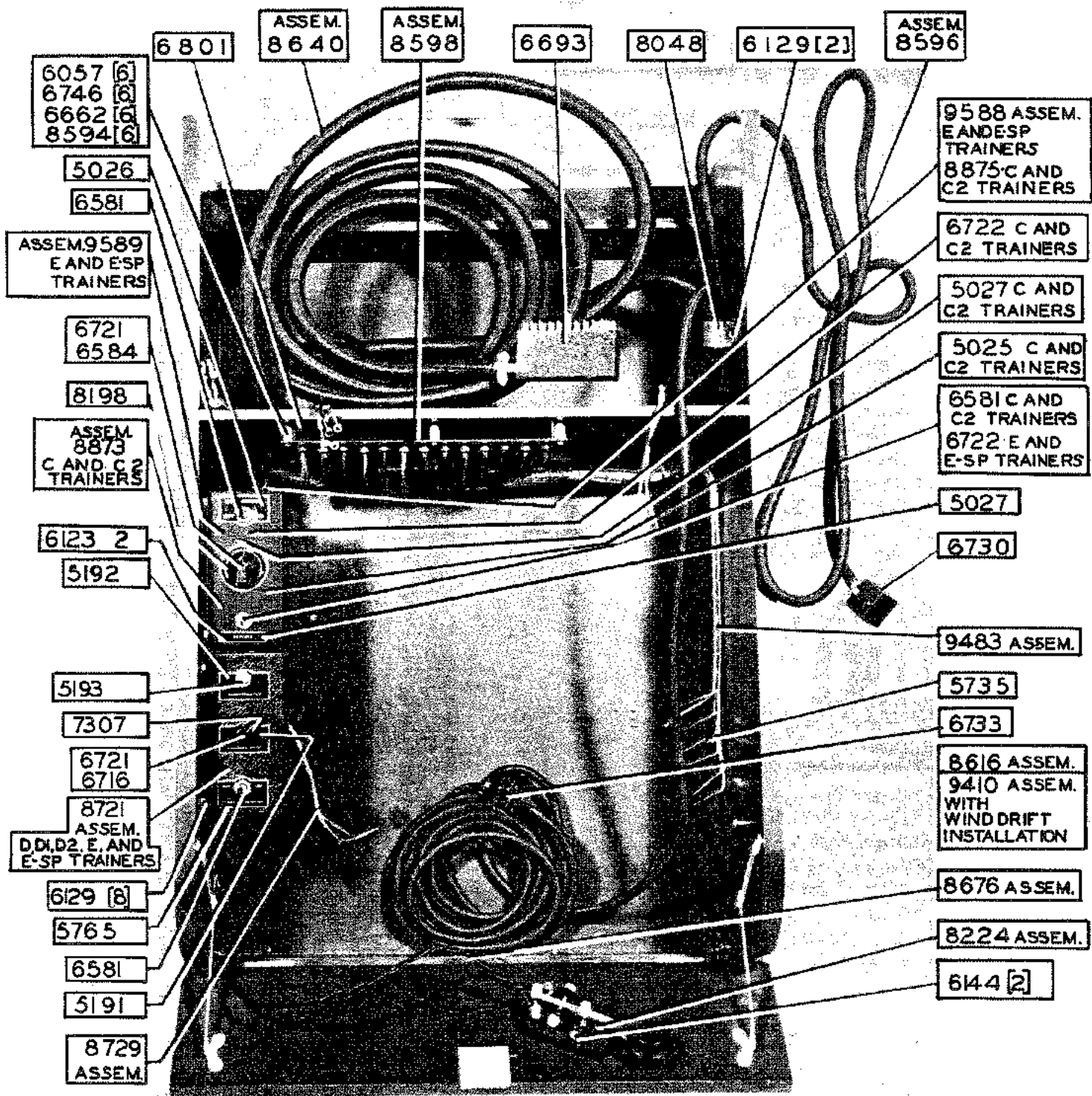
Part No.	Nomenclature
5491	Spacer, Contact-1/32"
5492	Spacer, Contact-1/16"
5493	Spacer, Contact-1/8"
5708	Spring Assembly, Center Contact Front
5712	Spring Assembly, Outer Contact
5715	Terminal, Contact
5716	Insulator, Contact Screw 15/16"
5717	Insulator, Contact Screw 3/4
5718	Strap, Contact Adjustment
5719	Screw, Contact Adjustment
5724	Spring Assembly, Center Contact-Rear
5726	Strap, Guard
6032	Nut, Hexagon Brass #5-40 x 5/16" x 7/64" Bright Dip
7280	Screw, #5-40 x 15/16" Washer Hd.
7281	Screw, #5-40 x 1 1/16" Washer Hd.

CODE KEYING CAMS

Part No.	Nomenclature	Part No.	Nomenclature
5069	M. Cam, Station Call	8005	Cam, S-A, N-S
5080	D. Cam, Station Call	8006	Cam, V-R, R-B
5691	Cam, Blank	8007	Cam, W-G
5697	Cam, E-T Interlock	8008	Cam, E-A, N-E
5698	Cam, Outer Marker	8103	Cam, D-L, F-U
5699	Cam, Inner Marker	8104	Cam, F-V, B-L
5741	Cam, A-N Interlock	8105	Cam, W-C, A-G
5936	Cam, A-Z, U-N	8106	Cam, Z-N, A-U
5937	Cam, B-U, D-V	8107	Cam, O-L, F-O
5938	Cam, D-M, M-U	8150	Cam, C-C, A-A
5939	Cam, S-R, R-S	8157	Cam, H-T, T-H
5940	Cam, Step	8158	Cam, K-M, M-K
5941	Cam, Switching	8159	Cam, B-W, G-V
5942	Cam, S-Y, Q-S	8160	Cam, N-K, K-A
7337	Cam, Special M-O	8239	Cam, C-G, W-A
7396	Cam, M-M	8240	Cam, D-T, T-U
7397	Cam, K-W, G-K	8241	Cam, I-D, U-I
7398	Cam, F-M, M-L	8242	Cam, C-V, B-A
7399	Cam, T-M, M-T	8243	Cam, G-O, O-W
7400	Cam, R-O, O-R	8305	Cam, A-W, G-N
7401	Cam, D-B, V-U	8307	Cam, U-L, F-D
7402	Cam, J-X, X-O	8308	Cam, R-W, G-R
7403	Cam, F-C, A-L	8309	Cam, B-B, V-V
7404	Cam, T-J, C-T	8310	Cam, J-G, W-O
7411	Cam, M-S, S-M	8311	Cam, C-N, A-A
7417	Cam, X-W, G-X	8312	Cam, N-Y, Q-A
7423	Cam, C-B, V-A	8313	Cam, F-B, V-L
7452	Cam, X-V, B-X	8314	Cam, M
7460	Cam, W-Z, U-G	8352	Cam, P-W, G-P
7642	Cam, O-U, D-O	8354	Cam, P-R, R-P
7720	Cam, O-J, O-O	8382	Cam, P-S, S-P
7721	Cam, X-F, L-X	8383	Cam, N-A
7722	Cam, Y-B, V-Q	8384	Cam, E-O, O-E
7723	Cam, O-Y, Q-O	8505	Cam, B-J, O-V
7724	Cam, Q-P, P-Y	8506	Cam, L-G, W-F
7725	Cam, Y-G, W-Q	8507	Cam, P-T, T-P
7777	Cam, C-L, F-A	8704	Cam, J-I
7778	Cam, O-M, M-O	8705	Cam, C-R, R-A
7815	Cam, A-J, O-N	8706	Cam, R-V, B-R
7816	Cam, G-Y, Q-W	8707	Cam, D-G, W-U
7817	Cam, I-C, A-I	8708	Cam, J-S
7818	Cam, U-U, D-D	8769	Cam, L-V, B-F
8000	Cam, O-A, N-O	8770	Cam, H-U, D-H
8001	Cam, S-Q, Y-S	8771	Cam, C-X, X-A
8002	Cam, W-A, N-G	8772	Cam, P-U, D-P
8003	Cam, Q-L, F-Y	8773	Cam, A-B, V-N
8004	Cam, Q-R, R-Y	8774	Cam, W-D, U-G

CODE KEYING CAMS (CONTINUED)

Part No.	Nomenclature	Part No.	Nomenclature
8775	Cam, A-X, X-N	9692	Cam, T-Y, Q-T
8776	Cam, O-T, T-O	9693	Cam, J-W, G-O
8777	Cam, L-N, A-F	9694	Cam, L-I, I-F
8778	Cam, T-D, U-T	9695	Cam, T-R, R-T
8779	Cam, T-C, A-T	9696	Cam, Z-H, H-U
8780	Cam, V-M, M-B	9697	Cam, L-C, A-F
8781	Cam, V-H, H-B	9698	Cam, J-U, D-O
8813	Cam, E-T Interlock Type C-3	9699	Cam, A-C, A-N
8869	Cam, W-N, A-G	10209	Cam, #1 Fan Marker
8870	Cam, X-A, N-X	10210	Cam, #2 Fan Marker
9062	Cam, Q-M, M-Y	10211	Cam, #3 Fan Marker
9063	Cam, M-C, A-M	10212	Cam, #4 Fan Marker
9102	Cam, R-D, U-R	10229	Cam, Relay - C-5 Radio
9255	Cam, L-D, U-F	10230	Cam, Switching C-5 Radio
9256	Cam, L-J, O-F	11197	Cam, X-U, D-X
9257	Cam, S-N, A-S	11198	Cam, Q-G, W-Y
9597	Cam, P-H, H-P	11199	Cam, Y-Z, U-Q
9600	Cam, Q-K, K-Y	11200	Cam, I-N, A-I
9601	Cam, I-Q, Y-I	11201	Cam, L-A, N-F
9602	Cam, X-B, V-X	11224	Cam, N-T, T-A
9603	Cam, F-X, X-L	11351	Cam, B-H, H-V
9604	Cam, P-B, V-P	11352	Cam, S-U, D-S
9605	Cam, J-J, O-O	11353	Cam, V-D, U-B
9606	Cam, M-I, I-M	11355	Cam, W-J, O-G
9607	Cam, Y-K, K-Q	11357	Cam, W-M, M-G
9608	Cam, U-X, X-D	11358	Cam, P-P
9646	Cam, E-B, V-E	11359	Cam, N-I, I-A
9647	Cam, P-G, W-P	11360	Cam, N-N, A-A
9648	Cam, B-O, O-V	11361	Cam, U-N, A-D
9649	Cam, H-X, X-H	11437	Cam, G-J, O-W
9684	Cam, G-H, H-W	11438	Cam, U-S, S-D
9685	Cam, J-O, O-O	11439	Cam, T-I, I-T
9686	Cam, P-I, I-P	11440	Cam, K-X, X-K
9687	Cam, Z-D, U-U	11458	Cam, K-C, A-K
9688	Cam, L-S, S-F	11461	Cam, T-L, F-T
9689	Cam, C-D, U-A	11462	Cam, V-K, K-B
9690	Cam, G-D, U-W	11463	Cam, G-U, D-W
9691	Cam, J-A, N-O	11475	Cam, T-Z, U-T

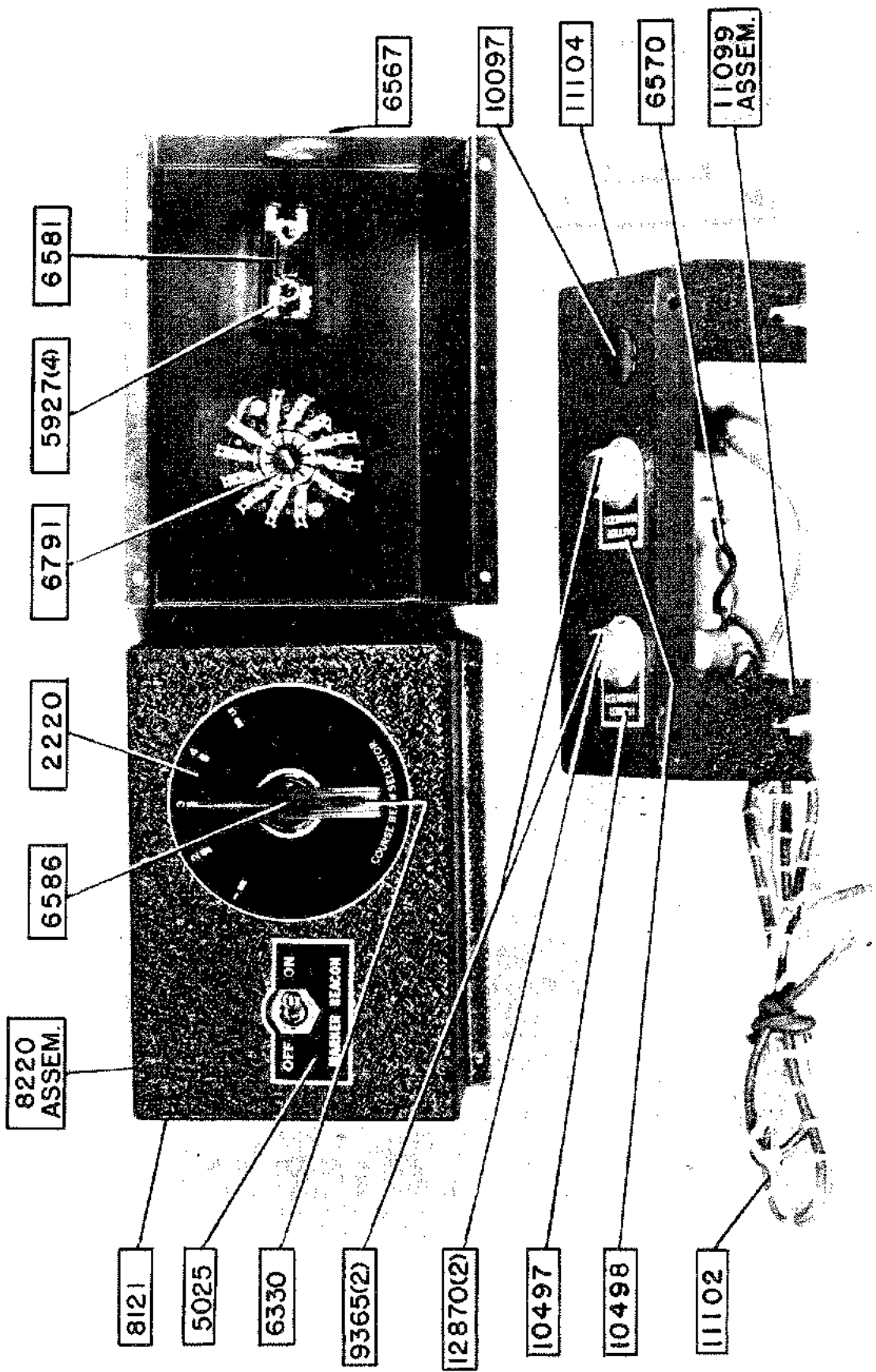


DESK DRAWER [MINUS RADIO AND KEYS]

Desk Drawer (Minus Radio And Keyer)

(Used on C, C2, D, D1, D2, E, Esp., E1, E2 Trainer Models)

Part No.	Nomenclature
5025	Plate, Marker Beacon Control
5026	Plate, Radio Compass Control
5027	Plate, Radio Compass Reverse
5191	Plate, Landing Path Indicator Control
5192	Plate, Compensator Control
5193	Potentiometer, Wirewound 200 Ohms
5735	Terminal, Phone Tip
5765	Plate, Flight Path Indicator Control
5926	Terminal, Solder Lug; #2-#8 Hole
6057	Nut, Hexagon Iron #6-32 x 5/16" x 7/64" Cad. Plt.
6123	Screw, Binding Head Type "Z" #2 x 3/16 Nickel
6129	Screw, R.H.I.W. #8 x 1/2" Cad. Plt.
6144	Screw, R.H.I.W. #5 x 1" Cad. Plt.
6570	Wire, #20 Waxed Hook-Up
6581	Switch, Power
6584	Potentiometer, Wirewound 1500 Ohms
6662	Washer, .172"-.169" x 1/2" x .052"-.048" Steel
6693	Plug, 33 Contact
6716	Potentiometer, 25,000 Ohms
6721	Knob, Control 19/32" High x 1-1/4" Long
6722	Switch, Toggle D.P.D.T.
6730	Connector, Remote Instrument Case Cable
6733	Connector, Automatic Recorder Cable
6734	Cable Marker (Negative)
6735	Cable Marker (Positive)
6744	Clip, Terminal Bernard #81, 5/32 Hole
6746	Screw, R.H.I.M. #6-32 x 1-1/4" Cad. Plt.
6801	Resistor, 50,000 Ohms, 1 Watt
7307	Screw, Slotted Headless I. Set #8-32 x 3/8" Cup Point
8048	Clip, Desk Cable
8198	Plate, Radio Compass Volume
8224	Key Assembly, Transmitting
8594	Spacer, Desk Terminal Block
8596	Cable Assembly, Desk to Remote Instruments
8598	Block Assem., Desk Terminal
8616	Cable Assembly, Desk to Automatic Recorder
8640	Cable Assembly, Desk to Trainer Base Terminal Box
8676	Cable Assembly, Key
8721	Box Assembly, Flight Path Indicator Control
8729	Cable Assembly, Flight Path Indicator Control Box
8873	Box Assembly, Radio Compass Control Type "C" & "C-2"
8875	Cable Assembly, Radio Compass Control Box
9410	Cable Assembly, Desk to Wind Drift Recorder
9483	Cable Assembly, Radio Chassis Standard
9588	Cable Assembly, Radio Compass Control Box Type "E"
9589	Box Assembly, Radio Compass Control Type "E"



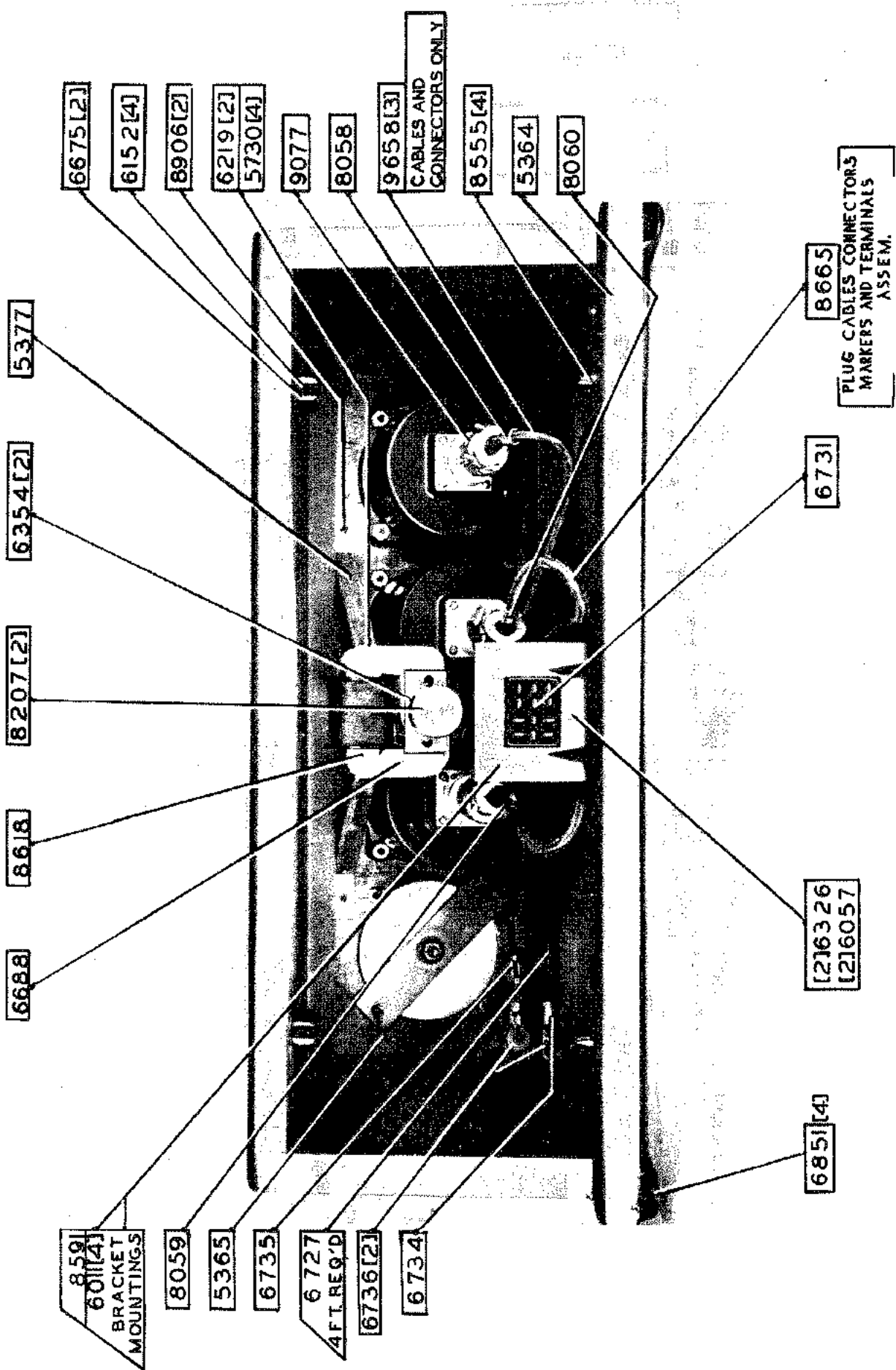
11099 BOX ASSEM., LANDING MARKER INDICATOR
 8220 BOX ASSEM., REMOTE SELECTOR SWITCH

11099 Box Assembly, Landing Marker Indicator

8820 Box Assembly, Remote Selector Switch

(Assembly No. 11099 is used on E1 Trainer Models.
Assembly No. 8820 is used on E, Esp, E1, E2 Trainer Models.
Although not shown in view of assembly No. 8170 (Keyer
Assem., Link Radio Range Type "E" 110 V. 60 Cycle), it is
part of that assembly.)

Part No.	Nomenclature
2220	Plate, Course Beam Selector
5025	Plate, Marker Beacon Control
5927	Terminal, Solder Lug #1-#6 Hole
6330	Screw, Parker-Kalon Type U-I Drive #00 x 1/8" Nickel
6567	Grommet, Rubber 1/2" Dia. Hole 3/4" Dia. Groov 1" Outside Diameter
6570	Wire, #20 Waxed Hoop-Up
6581	Switch, Power
6586	Knob, Control-Bar Type 2-1/4" Long
6791	Switch, Selector
8121	Box, Remote Selector Switch
8220	Remote Selector Switch Box Assembly, Type "E" Trainer
9365	Socket, Miniature Bayonet
10097	Button, 1/2" Dia. Hole
10497	Plate, Inner Marker
10498	Plate, Outer Marker
11099	Box Assembly, Landing Marker Indicator
11102	Cable Assem., Landing Marker Indicating Box
11104	Box, Landing Marker Indicating
12870	Lamp, 13 Volt, 3 CP

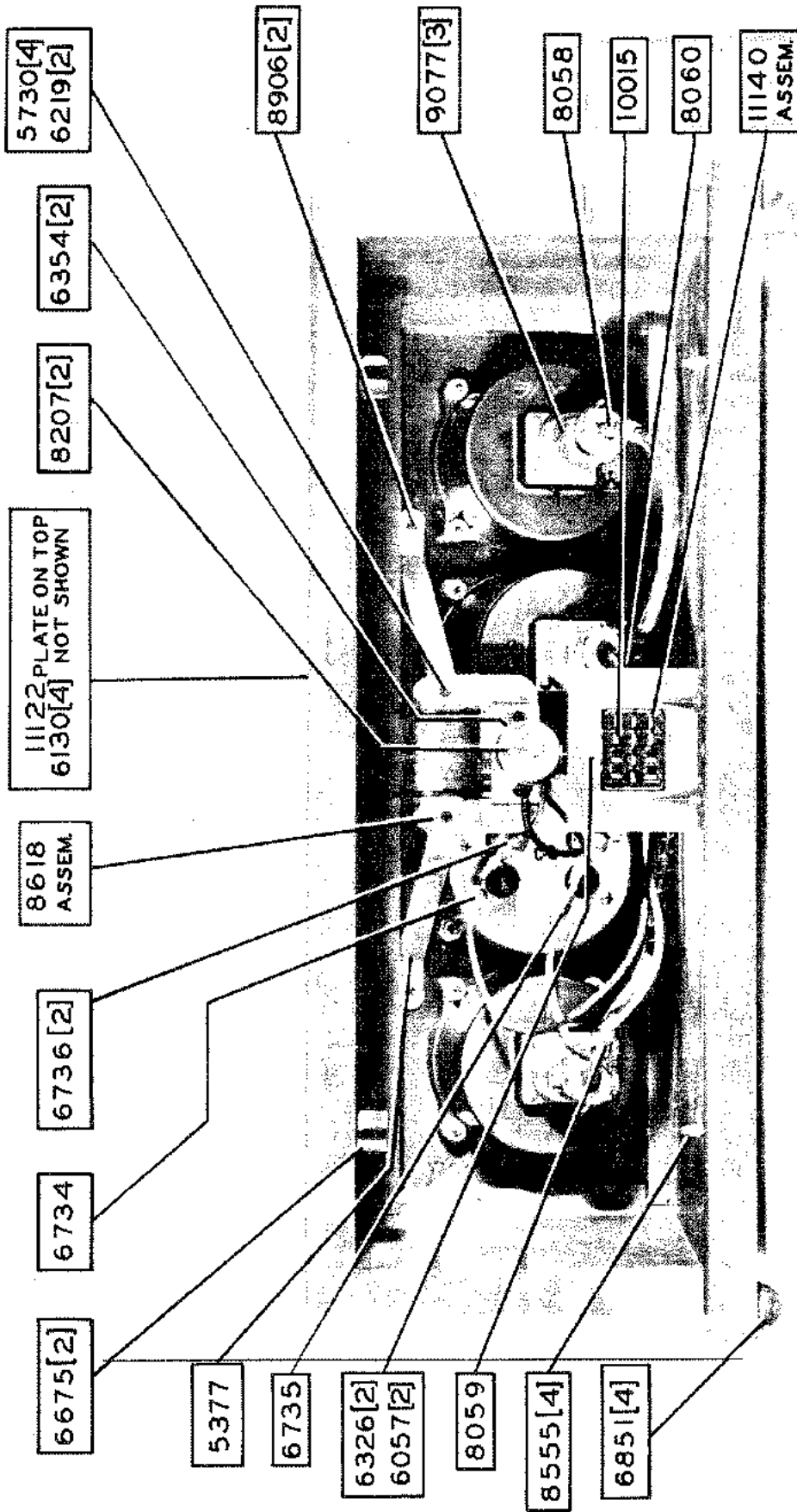


8666 CASE ASSEMBLY, REMOTE INSTRUMENTS

8666 Case Assembly, Remote Instruments

(This Assembly is used on C2, D, D1, D2, E, Esp., E1, E2 Trainer Models and supersedes Assembly No.9081. Old and New Assemblies are not interchangeable).

Part No.	Nomenclature
5364	Case, Remote Instruments
5365	Panel, Remote Instrument
5377	Bracket, Remote-Instrument-Case Vib'r. Motor Mounting
5730	Spacer, Motor
6011	Screw, R.H.I.W. #8 x 3/4" Cad. Plt.
6057	Nut, Hexagon Iron #6-32 x 5/16" x 7/64" Cad.Plt.
6152	Screw, R.H.I.W. #6 x 3/8" Cad.Plt.
6219	Screw, R.H.I.M. #10-32 x 1 1/4" Cad.Plt.
6326	Screw, R.H.I.M. #6-32 x 5/16" Cad.Plt.
6354	Screw, Bristo Headless I. Set #8-32 x 3/16" Cup Pt. Harden
6675	Catch, Cabinet Spring Plunger
6688	Motor, 115V., 60 Cycles Induction
6727	Wire, #18 Gauge-Black Flexible Fixture
6731	Plug, Remote Instrument Case
6734	Cable Marker (Negative)
6735	Cable Marker (Positive)
6736	Terminal Lug, Battery Cable Type 9/32" Hole
6851	Tack, #1 White Rubber Bumper
8058	Marker, Air Speed Cable
8059	Marker, Vertical Speed Cable
8060	Marker, Altimeter Cable
8207	Weight, Transmitter and Remote Indicating Instrument Panel Vibrator
8555	Pin, Base Panel Retainer
8591	Bracket, Remote Instrument Case Connector
8618	Vibrator Motor Assembly
8665	Cable Assembly, Remote Instrument Case
8906	Screw, Solenoid Mounting
9077	Plug and Clamp, Instrument Cable Connector
9658	Cable Assembly, Remote Instrument

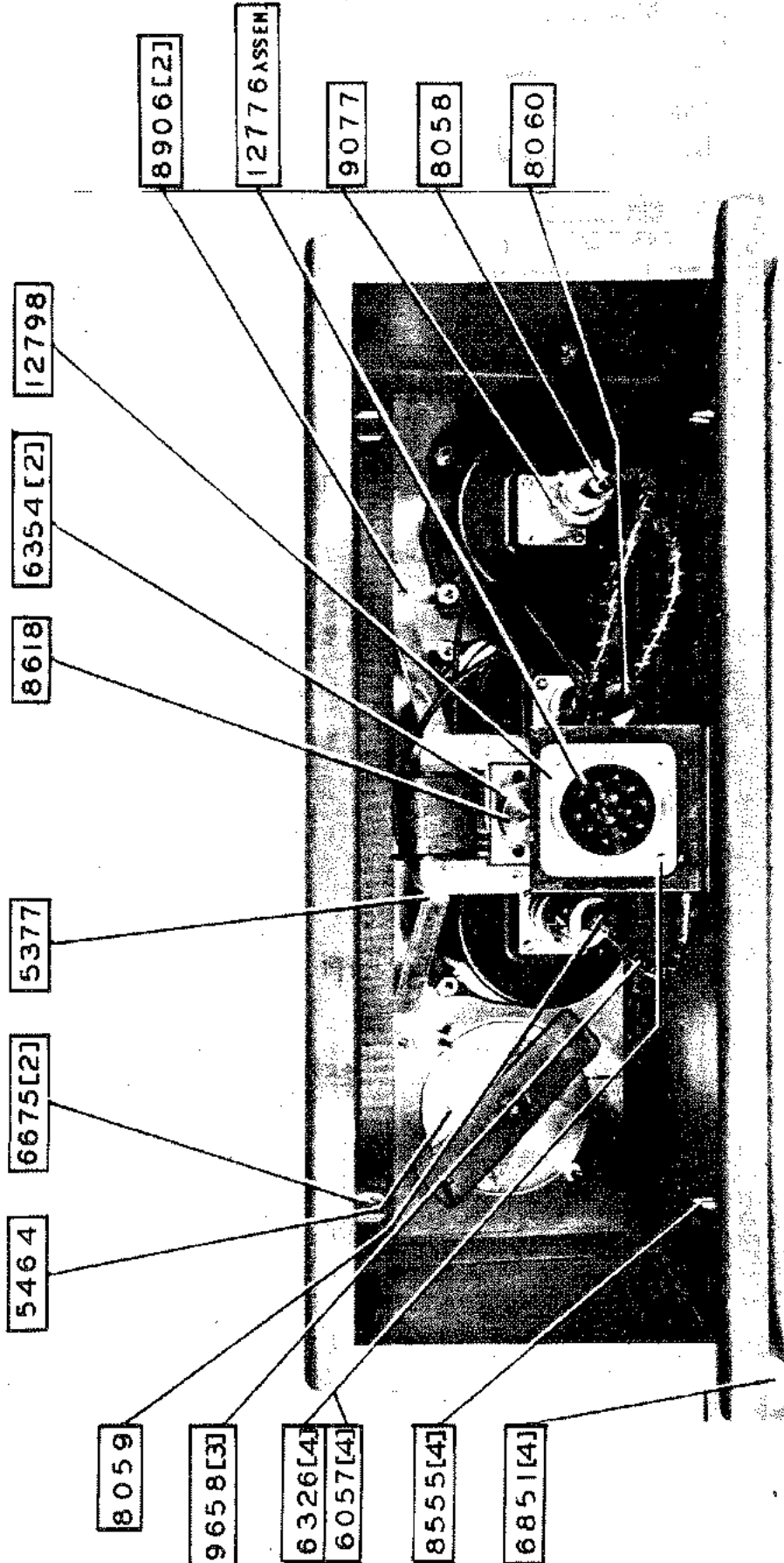


11192 CASE ASSEMBLY, STANDARDIZATION REMOTE
INSTRUMENTS

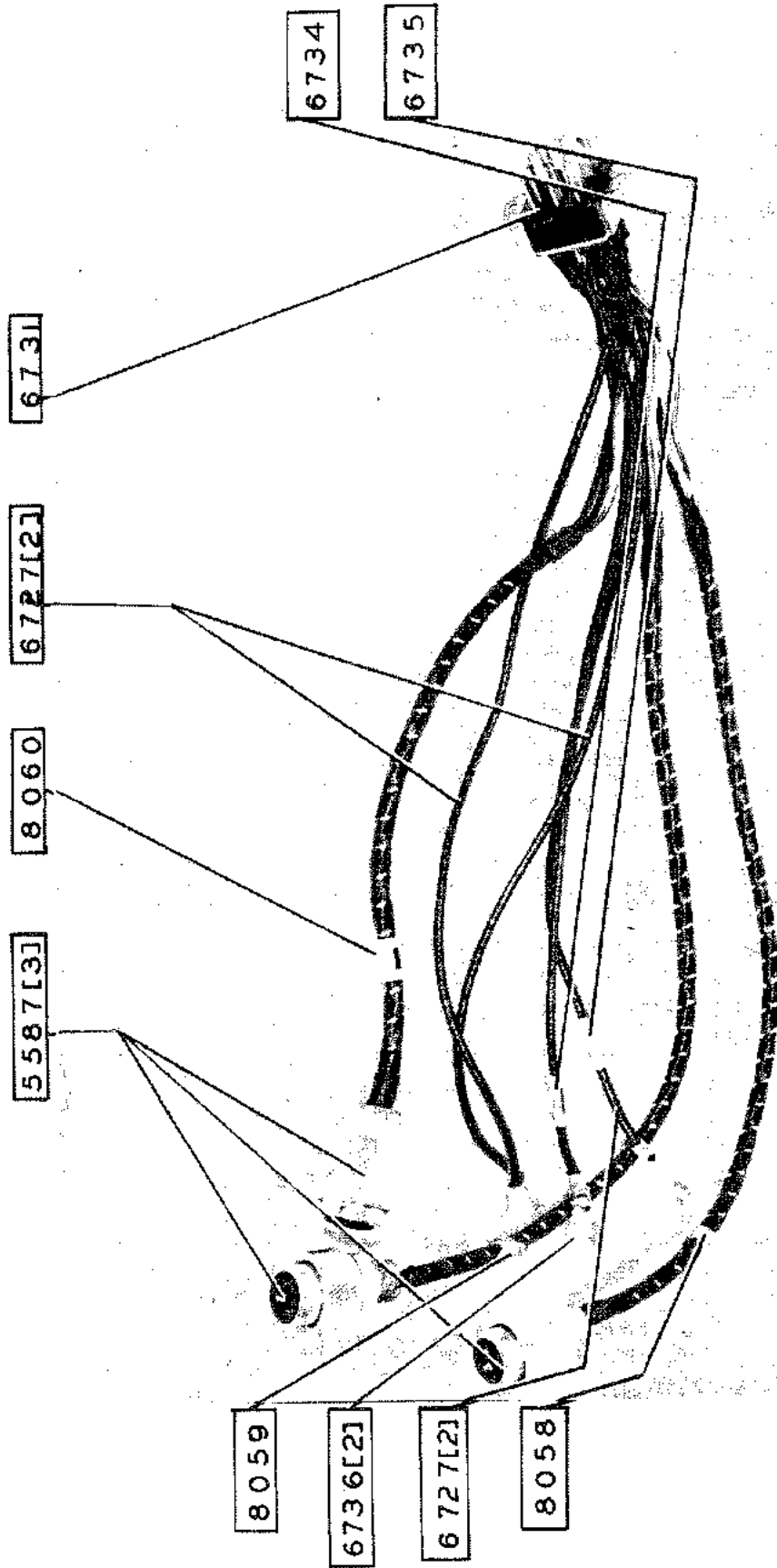
11192 Case Assembly, Standardization Remote Instruments

(Rear view of assembly used on AN 2550-1 Trainer Models)

Part No.	Nomenclature
5377	Bracket, Remote-Instrument-Case Vibr. Motor Mounting
5730	Spacer, Motor
6057	Nut, Hexagon Iron #6-32 x 5/16" x 7/64" Cad. Plt.
6130	Screw, R.H.I.W. #2 x 1/4" Cad. Plt.
6219	Screw, R.H.I.M. #10-32 x 1 1/4" Cad. Plt.
6326	Screw, R.H.I.M. #6-32 x 5/16" Cad. Plt.
6354	Screw, Bristo Headless I. Set #8-32 x 3/16" Cup Pt. Harden
6675	Catch, Cabinet Spring Plunger
6734	Cable Marker (Negative)
6735	Cable Marker (Positive)
6736	Terminal Lug, Battery Cable Type 9/32 Hole
6851	Tack, #1 White Rubber Bumper
8058	Marker, Air Speed Cable
8059	Marker, Vertical Speed Cable
8060	Marker, Altimeter Cable
8207	Weight, Transmitter and Remote Indicating Instrument Panel Vibrator
8555	Pin, Base Panel Retainer
8618	Vibrator Motor Assembly
8906	Screw, Solenoid Mounting
9077	Plug and Clamp, Instrument Cable Connector
10015	Connector, 12 Contact Chassis Type Plug
11122	Plate, Remote Instruments
11140	Cable Assembly, Remote Instrument Case



12833 CASE ASSEMBLY, REMOTE INSTRUMENT TYPE C-3 TRAINER



8597 CABLE ASSEMBLY, REMOTE INSTRUMENT CASE

12833 Case Assembly, Remote Instrument Type C-3 Trainer

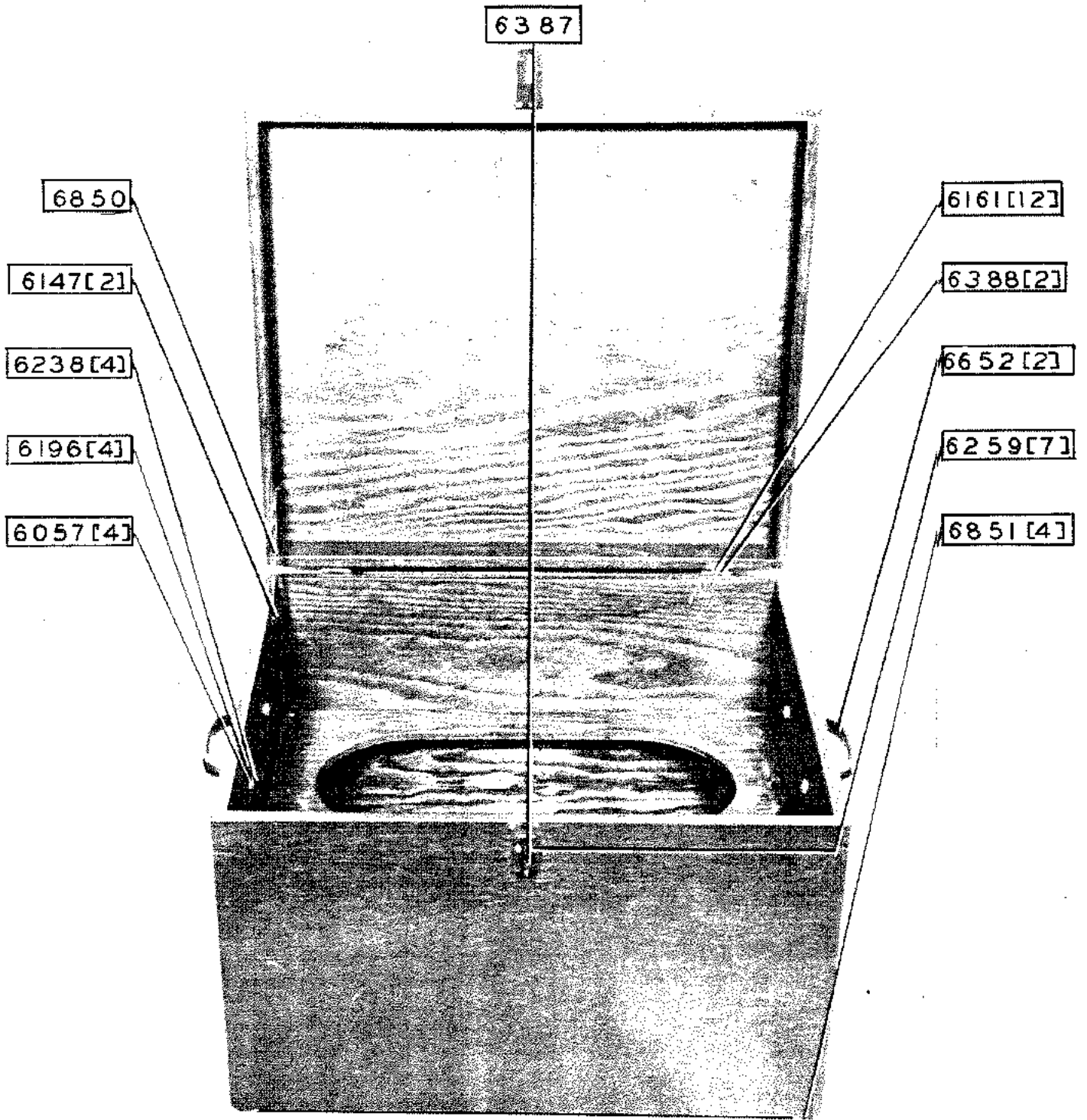
(Used on C3 Trainer Models)

Part No.	Nomenclature
5377	Bracket, Remote-Instrument-Case Vib'r. Motor Mounting
5464	Plug, Instrument Panel
6057	Nut, Hexagon Iron #6-32 x 5/16" x 7/64" Cad. Plt.
6326	Screw, R.H.I.M. #6-32 x 5/16" Cad. Plt.
6354	Screw, Bristo Headless I. Set #8-32 x 3/16" Cup Pt. Harden
6675	Catch, Cabinet Spring Plunger
6851	Tack, #1 White Rubber Bumper
8058	Marker, Air Speed Cable
8059	Marker, Vertical Speed Cable
8060	Marker, Altimeter Cable
8555	Pin, Base Panel Retainer
8618	Vibrator Motor Assembly
8906	Screw, Solenoid Mounting
9077	Plug and Clamp, Instrument Cable Connector
9658	Cable Assembly, Remote Instrument
12776	Cable Assembly, Remote Instrument Case-Type C-3 Trainer
12798	Receptacle, Chassis Reversed #2 Polarization

8597 Cable Assembly, Remote Instrument Case

(This Assembly was used on C2, D, D1, E, Esp. Trainer Models. It is now obsolete and superseded by No. 8665. Old and new cable assemblies are not interchangeable.)

Part No.	Nomenclature
5587	Connector, 6 Pole Cable
6727	Wire, #18 Gauge-Black Flexible Fixture
6731	Plug, Remote Instrument Case
6734	Cable Marker (Negative)
6735	Cable Marker (Positive)
6736	Terminal Lug, Battery Cable Type 9/32" Hole
8058	Marker, Air Speed Cable
8059	Marker, Vertical Speed Cable
8060	Marker, Altimeter Cable



9382 BOX ASSEMBLY, C-3 RECORDER PACKING

9382 Box Assembly, C-3 Recorder Packing

(This Assembly supersedes Assembly No. 8795, and is used on all Trainer Models. Old and new assemblies are interchangeable as units.)

Part No.	Nomenclature
6057	Nut, Hexagon Iron #6-32 x 5/16" x 7/64" Cad. Plt.
6147	Screw, R.H.I.W. #5 x 3/8" Cad. Plt.
6161	Screw, F.H.I.W. #4 x 3/8" Cad. Plt.
6196	Washer, 13/64" x 1/2" x .049" Steel Cad. Plt.
6238	Screw, F.H.I.M. #6-32 x 5/8" Cad. Plt.
6259	Screw, F.H.I.W. #3 x 3/8" Cad. Plt.
6387	Hasp, Hinge
6388	Hinge, Ornamental
6652	Pull, Drawer
6851	Tack, #1 White Rubber Bumper
6850	Slide, Desk

ALPHABETICAL PARTS LIST

<u>Part No.</u>	<u>Nomenclature</u>
7764	Adapter, Teletorque Motor Shaft
6847	Adhesive, 2 oz. Bottle
6906	Adhesive, 16 oz. Jar
	Air Filter Assembly, K-1 (PB-13362)
	Air Speed, Transmitter and Air Speed Indicators
5483	Angle, Simulator Reinforcing
11286	Apron, Glass Jar
C-2077	Arm, Aileron Valve Lever
C-2659	Arm, Air Speed Regulator Bellows
10848	Arm, Autosyn Driving
9545	Arm Assembly, Artificial Horizon Pitch Shaft
8712	Arm Assembly, Bank Turner Shaft
2054	Arm Assembly, Bank Turner Torque Shaft Stop
7749	Arm Assembly, Base Teletorque Driving
10944	Arm Assembly, Drive Rocker
7203	Arm Assembly, Stall Valve Regulator Bellows
7436	Arm Assembly, Turning Motor Bank
	Armature
7779	Arm, Base Teletorque Tension Spring
5752	Arm, Compass Deflector Switch
C-2071	Arm, Elevator Valve Lever
5761	Arm, Rudder Valve Lever
C-3003	Arm, Stall Valve Regulator Bellows
5474	Arm, Tachometer Regulator Bellows
9476	Arm, Turning Motor Link
7262	Arm, Walking Beam Extension
	Automatic Bank with Turn Mechanism with Automatic Nose-Drop Type Rudder Valve
	Automatic Recorder Motor and Collector Assembly
8731	Automatic Recorder Assembly, Type "C" Trainer
8732	Automatic Recorder Assembly, Type "D" Trainer
9058	Axle, Auto Recorder Drive Wheel
1537	Back, Turning Motor
7773	Back, Turning Motor
9291	Baffle, Cantilever
8337	Ball Joint Assembly, 5/16" Shank x 10-32 Thread
6538	Ball Joint Assembly, 9/16" Shank x 10-32 Thread
8641	Ball Joint Assembly, 5/16" Shank x 1/4"-28 Thread
8992	Ball Joint Assembly, 7/16" Shank x 1/4"-28 Thread
6745	Ball Joint Assembly, 9/16" Shank x 1/4"-28 Thread
7265	Ball Joint Assembly, 1" Shank x 1/4"-28 Thread

ALPHABETICAL PARTS LIST (CONTINUED)

<u>Part No.</u>	<u>Nomenclature</u>
6867	Bank Assembly, Turning Motor (Left)
6868	Bank Assembly, Turning Motor (Right)
9549	Bar Assembly, Artificial Horizon Pitch
9584	Bar Assembly, Rudder - Complete
8654	Bar Assembly, Rudder - Complete
C-2015	Bar Assembly, Rudder - Complete
11020	Bar and Stud Assem., Rack Support
11014	Bar, Contact Adjusting
5844	Bar, Radio Buss
2110	Bar, Rough-Air Spring Bridge
	Base Assembly
5581	Base Assembly
7688	Base Assembly, Fuselage Control Box
11170	Base Assembly, Standardization Trainer
C-2809	Base Assembly, Radio Compass Control
5494	Base, Bank Turner Spin Trip
8082	Base, Climb-Dive Valve
5410	Base Frame Assembly
C-2096	Base, Rough Air Unit
C-2106	Base, Rough Air Valve
9043	Base, Spin Valve
7199	Base, Stall Valve
C-2645	Base, Stall Valve
	Base Teletorque Installation
C-2056	Beam Assembly, Bank Turner Walking
7261	Beam, Walking
7433	Bearing Assembly, Turning Motor Bank
10518	Bearing, Ball (K3A)
9504	Bearing, Ball (R2A)
6907	Bearing, Double Plate(Light Series)
6639	Bearing, Double Shield Ball (Bottom)
6638	Bearing, Double Shield Ball (Top)
11248	Bearing, Single Shielded Ball
6686	Bearing, Single Shield, Bottom Ball
6687	Bearing, Single Shield, Top Ball
7032	Bearing, Turbine Motor Ball
8576	Bearing, Washer (Throttle Assembly)
9065	Bed Plate, Automatic Recorder
8563	Bellows Assembly, Air-Speed Regulator
C-2660	Bellows Assembly, Air-Speed and Tachometer Regulator
8495	Bellows Assembly, Front and Rear
8496	Bellows Assembly, Left and Right
8457	Bellows Assembly, Spin - Lower
C-2669	Bellows Assembly, Spin Trip
8459	Bellows Assembly, Spin Upper
5554	Bellows Assembly, Stall Valve Regulator

ALPHABETICAL PARTS LIST (CONTINUED)

<u>Part No.</u>	<u>Nomenclature</u>
8606	Bellows Assembly, Tachometer Regulator
9431	Bellows Assembly, Turn Indicator Regulator
1520	Bellows & Toggle Assem., (Front and Rear)
1512	Bellows & Toggle Assem., (Left and Right)
8455	Bellows, Spin Lower
C-2670	Bellows, Spin Trip
8460	Bellows, Spin Upper
8863	Bellows, Turn Indicator Regulator
	Belt and Tightener Assembly
5895	Belt Assembly, Turning Motor
5894	Belt, Turning Motor
8102	Blank, No Numeral or Letter
10402	Block Assembly, Capacitor Mounting
8598	Block Assem., Desk Terminal
11432	Block Assembly, Spin Valve Rod Spring
8651	Block Assembly, Throttle Inter. Lever Mounting
5519	Block and Spring Assem., Spin Valve Rod
8947	Block, Control Column Link Rod
10018	Block, Gonio Mounting
9439	Block, Indicator Box Support
7435	Block, Turning Motor Bank Intermediate Bearing
2036	Block, Walking Beam Shaft Bearing
6965	Block Westinghouse Contactor Solenoid Insulator
8077	Body Assembly, Climb Valve
8072	Body Assembly, Dive Valve
7193	Body Assembly, Stall Valve
	Body and Hood Assembly (PB-13643)
C-2656	Body, Regulator Valve
5966	Body and Stem Assembly, Spin Valve
6035	Bolt, 3/8-16 x 2-1/2" Pulley, Cad. Plt.
7366	Bolt, Hex. Head Machine
8762	Bolt Assembly, Instrument Light Swivel (Left)
8763	Bolt Assembly, Instrument Light Swivel (Right)
5145	Bolt Assembly, Trainer Leveling
6676	Bolt, Carriage with Nut
8799	Bolt, Motor Mount Plate
C-2806	Bolt, Radio Compass Control Hollow
6660	Bolt, Socket Head Stripper
6020	Bolt, Step #5/16-18 x 2-1/2" Black Finish
7393	Box
12813	Box and Cover, C-3 Fuselage Control
11175	Box Assembly, Base Terminal
12794	Box Assembly, Base Terminal "C-3"
8622	Box Assembly, Base Terminal Type D-1
9426	Box Assembly, British D-2 Base Terminal
8620	Box Assembly, "C" Base Terminal
8621	Box Assembly, C-2, D, E Base Terminal
12860	Box Assembly, C-3 Desk Junction
12782	Box Assembly, C-3 Fuselage Interconnector

ALPHABETICAL PARTS LIST (CONTINUED)

<u>Part No.</u>	<u>Nomenclature</u>
11186	Box Assembly, Desk Junction
10276	Box Assembly, Desk Junction C-5 Radio
7691	Box Assembly, Fuselage Control
8586	Box Assembly, Fuselage Control C-2
12858	Box Assembly, Fuselage Control C-3
11138	Box Assembly, Fuselage Control Complete
10330	Box Assembly, Fuselage Control Electrical C-5
9610	Box Assembly, Fuselage Type C, C-2
5203	Box Assembly, Fuselage Control Type-D
9611	Box Assembly, Fuselage Type D, D-1, D-2
9113	Box Assembly, Fuselage Control Type "E"
11117	Box Assembly, Fuselage Control Type "E-1"
9609	Box Assembly, Fuselage Type E, E-sp.
8721	Box Assembly, Flightpath Indicator Control
9367	Box Assembly, Hood Indicator
7800	Box Assembly, Interconnector
10315	Box Assembly, Interconnector
9434	Box Assembly, Indicator Control
11099	Box Assembly, Landing Marker Indicator
8873	Box Assembly, Radio Compass Control Type "C" & "C-2"
9589	Box Assembly, Radio Compass Control Type "E"
9382	Box Assembly, C-3 Recorder Packing
11128	Box Assembly, Remote Instrument Junction
9420	Box Assembly, Remote Instrument Junction Type C-3
8220	Box Assem., Remote Selector Switch Type "E" Trainer
2198	Box Assembly, Tool and Step
12861	Box, Desk Junction C-3 Radio
7699	Box, Interconnector
11104	Box, Landing Marker Indicating
12778	Box, Remote Instrument Junction
8121	Box, Remote Selector Switch
5447	Brace, Base Corner
C-2011	Brace, Fuselage Floor
7434	Brace, Turning Motor Bank Intermediate Bearing
10141	Bracket, Angle
7675	Bracket, Assembly, Air Speed Tank
9546	Bracket Assembly, Artificial Horizon Case
8346	Bracket & Bellcrank Assembly, Aileron Turn Action
7743	Bracket Assembly, Base Teletorque Pivot
12732	Bracket and Cable Assembly, Leveling Device
10878	Bracket Assembly, Electric Throttle
12720	Bracket Assembly, Leveling Device Pulley (L.H.)
12722	Bracket Assembly, Leveling Device Single Pulley
8876	Bracket and Lever Assem., Bank Turner Inter.
8532	Bracket Assembly, Pedestal
8521	Bracket Assembly, Pedestal
10980	Bracket Assembly, Pitch Action-Left Hand
C-2627	Bracket Assem., Pitch Action Right
9072	Bracket Assembly, Rough Air Motor M'T'G

ALPHABETICAL PARTS LIST (CONTINUED)

<u>Part No.</u>	<u>Nomenclature</u>
10959	Bracket Assembly, Rocker Arm
8550	Bracket Assem., Rudder Pedal Shaft
8461	Bracket Assem., Spin Trip
1534	Bracket Assembly, Step
10919	Bracket Assembly, Throttle Cable Guide Pulley
7437	Bracket Assembly, Trainer Step
8880	Bracket, Bank Turner Intermediate Lever
8554	Bracket, Bellows Mounting
8734	Bracket, Brush Assembly
7462	Bracket, Collector Brush
7373	Bracket, Commutator End
8940	Bracket, Control Aileron
8967	Bracket, Control Bearing
C-4046	Bracket, Control Column Base
8980	Bracket, Control Mounting
2041	Bracket, Control-Stick Ball Joint
2042	Bracket, Control Stick Front
8982	Bracket, Control Vertical
5263	Bracket, Control Stick Simulator
8989	Bracket, Control Vertical Spring
10554	Bracket, Electric Throttle Control Bearing Post
10918	Bracket, Flex. Shaft Connector
12785	Bracket, Fuselage Inter Box C-3
8765	Bracket, Instrument Light
7799	Bracket, Interconnector Box
9155	Bracket, Lampholder
12741	Bracket, Leveling Device Spring Adjustment Screw
5590	Bracket, Lower Mounting
8934	Bracket, Marker Beacon Lampholder
7760	Bracket, Radio Compass Transmitter Connecting
2044	Bracket, Rear Control Stick Shaft
7378	Bracket, Rear End
8591	Bracket, Remote Instrument Case Connector
5377	Bracket, Remote Instrument Case Vib'r Motor Mounting
6831	Bracket, Resistor Mounting
7710	Bracket, Rudder Pedal Countershaft
C-4048	Bracket, Simulator Pedestal
C-2719B	Bracket, Simulator Stick - Left
C-2719A	Bracket, Simulator Stick - Right
5757	Bracket, Solenoid Mounting
9366	Bracket, Bracket, Throttle Switch Mounting
10908	Bracket, Timer Motor
5968	Bracket, Transmitter and Instrument Vibrator Motor Mounting
2145	Bracket, Turn Indicator Regulator Bellows-Left
C-2146	Bracket, Turn Indicator Regulator Bellows Spring-R
5592	Bracket, Upper Mounting
11037	Bracket, Wind Driven Worm

ALPHABETICAL PARTS LIST (CONTINUED)

<u>Part No.</u>	<u>Nomenclature</u>
6874	Brad, #16 (.063") x 1" Steel
6853	Brad, #18 (.048") x 1-1/2" Steel
10999	British Windrift Unit Assembly, Complete
7453	Brush Assembly, Collector
7454	Brush Assembly, Collector L. H.
7455	Brush Assembly, Collector R. H.
5131	Brush Assembly, Collector Ring
5452	Brush Assembly, Collector Ring
C-2821	Brush Assembly, Radio Compass Control Contact Wiper
C-2795	Brush Assembly, Radio Compass Control - Left
C-2792	Brush Assembly, Radio Compass Control - Right
6848	Brush and Spring Assembly
C-2774	Brush Assembly, Telechron Motor
7049	Brush Assembly, Turbine Motor Wide Carbon
5133	Brush, Collector Assem. Inner
5134	Brush, Collector Assem., Outer
C-2776	Brush, Telechron Motor
7083	Bulb, Mazda 4 Watt, Blue Fluorescent FA-5 Base
7395	Bushing, Attaching
6692	Bushing, Contactor Mounting Stud
5265	Bushing, Control Stick Yoke Pin
5899	Bushing, Transmitter Panel
10096	Button, 3/8" Dia. Hole
10097	Button, 1/2" Dia. Hole
11202	Button, 1-1/4 Hole Plug
7145	Buzzer
	Cable Assemblies, Army Localizer, Navy Cross Pointer British Flight Path and Special Army Localizer
12804	Cable Assembly, Altimeter-Air-Speed Transmitter
11142	Cable Assembly, Army Localizer to Fuselage Control Box
10405	Cable Assembly, Azimuth Scale Lamp
7735	Cable Assembly, Base Teletorque
8589	Cable Assembly, Base Terminal Box
8604	Cable Assembly, Base Terminal Box to Collector
12847	Cable Assembly, Base Terminal Box to Collector Rings
11187	Cable Assembly, Base Terminal Box to Collector Rings
9425	Cable Assembly, British D-2 Base Terminal Box
11143	Cable Assembly, British Flight Path to Fuselage Control Box

ALPHABETICAL PARTS LIST (CONTINUED)

<u>Part No.</u>	<u>Nomenclature</u>
10482	Cable Assembly, Color Coded Wire
11189	Cable Assembly, Constant Voltage Transformer
11191	Cable Assembly, Contactor to Terminal Panel
9638	Cable Assembly, Control Box to Key
10397	Cable Assembly, Control Chassis to Crossed Loop
10135	Cable Assembly, Control Chassis to Left Transmitter
10255	Cable Assembly, Control Chassis to Power Supply
10219	Cable Assembly, Control Chassis to Right Transmitter
C-4035	Cable Assembly, Control Wheel
10253	Cable Assembly, Desk Junction Box Left
10254	Cable Assembly, Desk Junction Box Right
11184	Cable Assembly, Desk Junction Box to Radio Compass Azimuth Control
8616	Cable Assembly, Desk to Automatic Recorder
12875	Cable Assembly, Desk Light to Desk Junction Box
12885	Cable Assembly, Desk to Base C-3 Trainer
12773	Cable Assembly, Desk to Base C-5 Trainer
12775	Cable Assembly, Desk Radio C-3
11139	Cable Assembly, Desk Radio to Desk Junction Box
8596	Cable Assembly, Desk to Remote Instruments
8640	Cable Assembly, Desk to Trainer Base Terminal Box
9410	Cable Assembly, Desk to Wind Drift Recorder
10476	Cable Assembly, Duplex Shielded Relay
10927	Cable Assembly, (Trainer End) Electric Throttle
8729	Cable Assembly, Flight Path Indicator Control Box
5385	Cable Assembly, Flight Path Instrument Panel
12841	Cable Assembly, Fluorescent Inst. Light-Left-C-3
12840	Cable Assembly, Fluorescent Inst. Light-Right-C-3
11190	Cable Assembly, Fuse to Terminal Switch
7693	Cable Assembly, Fuselage Control Box
7694	Cable Assembly, Fuselage Control Box Cover
9114	Cable Assembly, Fuselage Control Box to Floor Terminal Block C-2
5386	Cable Assembly, Fuselage Control Box to Floor Terminal Block D-E
10313	Cable Assembly, Fuselage Control Box to Instrument Panel
8743	Cable Assembly, Fuselage Control Box to Instrument Panel Type "E"
8755	Cable Assembly, Fuselage Control Box to Instrument Panel Receptacle
7696	Cable Assembly, Fuselage Control Box to Inter- Connector Box Long

ALPHABETICAL PARTS LIST (CONTINUED)

<u>Part No.</u>	<u>Nomenclature</u>
7679	Cable Assembly, Fuselage Control Box to Interconnector Box Short
9652	Cable Assembly, Fuselage Control Box Standard
12790	Cable Assembly, Fuselage Control to Interconnector Box C-3
10151	Cable Assembly, Fuselage Power Supply to Fuselage Control Box
9480	Cable Assembly, Hood Indicator
9481	Cable Assembly, Indicator Control
12789	Cable Assembly, Instrument Panel to Fuselage Cont. Box C-3
12781	Cable Assembly, Interconnector Box Remote - Junction - Box - C-3 Trainer
11127	Cable Assembly, Interconnector Box to Remote Junction Box
10314	Cable Assembly, Interconnector Box Fuselage Control Box
8676	Cable Assembly, Key
12747	Cable Assembly, Leveling Device (Left Front)
11102	Cable Assembly, Landing Marker Indicating Box
12748	Cable Assembly, Leveling Device (Left Rear)
10123	Cable Assembly, Left Gonio to Control Chassis
12874	Cable Assembly, Left Headphones to Desk Junction Box
12746	Cable Assembly, Leveling Device (Right Front)
12745	Cable Assembly, Leveling Device (Right Rear)
11145	Cable Assembly, Line Terminal Panel to Switch
10258	Cable Assembly, Moon Beam
11141	Cable Assembly, Navy Cross Pointer to Fuselage Control Box
12843	Cable Assembly, Pitot Tube Heater C-3
9572	Cable Assembly, Power Supply to Tube Sockets Type D, E, C & C-2
9573	Cable Assembly, Type C & C-2 Radio
9571	Cable Assembly, Type D & E Radio
9483	Cable Assembly, Radio Chassis Standard
8875	Cable Assembly, Radio Compass Control Box
9588	Cable Assembly, Radio Compass Control Box Type "E"
10356	Cable Assembly, Radio Output Jack
10483	Cable Assembly, Radio Large Shielded
9656	Cable Assembly, Type C-3 Radio Large Shielded
9655	Cable Assembly, Type C-3 Radio Shielded Relay
9654	Cable Assembly, Type C-3 Radio Receptacle
8662	Cable Assembly, 110 Volt Radio Supply
5748	Cable Assembly, Radio 110 Volt Supply

ALPHABETICAL PARTS LIST (CONTINUED)

<u>Part No.</u>	<u>Nomenclature</u>
8300	Cable Assembly, 110-Volt Radio Supply
9653	Cable Assembly, Type C-3 Radio Transformer
10407	Cable Assembly, Receiving Loop
10251	Cable Assembly, Recorder
12771	Cable Assembly, Recorder C-3
11137	Cable Assembly, Recorder to Desk Junction Box
9658	Cable Assembly, Remote Instrument
10252	Cable Assembly, Remote Instrument
12772	Cable Assembly, Remote Instrument C-3
8597	Cable Assembly, Remote Instrument Case
8665	Cable Assembly, Remote Instrument Case
11140	Cable Assembly, Remote Instrument Case
11183	Cable Assembly, Remote Instrument Case to Desk Junction Box
12776	Cable Assembly, Remote Instrument Case Type C-3 Trainer
12845	Cable Assembly, Remote Instrument Light; Left C-3
12844	Cable Assembly, Remote Instrument Light; Right C-3
12779	Cable Assembly, Remote Junction Box to Instrument-Panel
10132	Cable Assembly, Right Gonio to Control Chassis
12873	Cable Assembly, Right Headphones to Desk Junction Box
5459	Cable Assembly, Rudder Pedal Left
7719	Cable Assembly, Rudder Pedal-Left
2028	Cable Assembly, Rudder Pedal Right
7718	Cable Assembly, Rudder Pedal-Right
12842	Cable Assembly, Rudder Valve C-3
10223	Cable Assembly, Rudder Valve Switch to Fuselage Control Box
11405	Cable Assembly, Sp. Localizer to Fuselage Control Box
9598	Cable Assembly, Telegon Oscillator
8592	Cable Assembly, Telegon Oscillator Output
10236	Cable Assembly, Terminal Strip to Interconnector Box
11119	Cable Assembly, Terminal Strip to Line Starter
9482	Cable Assembly, Throttle Switch
12805	Cable Assembly, Trans. Panel to Fuselage Int. Box
11131	Cable Assembly, Trans. Panel to Fuselage Inter. Box
9651	Cable Assembly, Type C-3 Fuselage Control Box
12862	Cable Assembly, Wind Drift to Junction Box C-3
10868	Cable Assembly, W. D. V. Electrical

ALPHABETICAL PARTS LIST (CONTINUED)

<u>Part No.</u>	<u>Nomenclature</u>
10928	Cable Assembly, Wind Drift Unit Electric Throttle
12803	Cable Assembly, Vertical Speed Transmitter
10257	Cable Assembly, Vibrator Motor C-5 Remote Inst. Panel
5803	Cable, #18 A. W. G. -2 Conductor Fixture
11332	Cable, Constant Voltage Transformer
7157	Cable, #18 Gauge 4 Conductor
10408	Cable, Receiving Loop
6735	Cable Marker (Positive)
6734	Cable Marker (Negative)
10478	Cam Assembly, A. N. Keyer
10477	Cam Assembly, British Keyer
10243	Cam Assembly, C-5 Keyer
10612	Cam Assembly, Ground Speed Time
11019	Cam Assembly, Ground Speed Time British
10242	Cam Assembly, Switching
5929	Cam Assembly, Switching Type C 50-60 Cycle
5930	Cam Assembly, Type C 60 Cycle
5933	Cam Assembly, Typed, 50 Cycle
8172	Cam Assembly, Type E 60 Cycle
2100	Cam, Rough Air
C-2099	Cam, Rough Air Turn
6759	Can, 1/2 oz. Oil
11318	Capacitor Assembly
10027	Capacitor, Air Padding
10042	Capacitor, Air, 15-220 MFD. Variable
10148	Capacitor, Electrolytic - 10 MFD. 15 MFD. 15 MFD. 450 Volts
6571	Capacitor, Electrolytic 12 MFD. 500 Volts
6550	Capacitor, Electrolytic 16 MFD. 450 V. Working
10131	Capacitor, Electrolytic 25 MFD. 25 Volt
10149	Capacitor, Electrolytic 40 MFD. 25 Volt
10187	Capacitor, Electrolytic 40 MFD.-40 MFD. - 25 Volt
10194	Capacitor, Electrolytic; 50 MFD. 50 Volt
10030	Capacitor, Mica; .000015 MFD. 600 Volts Per Min.
10029	Capacitor, Mica; .00007 MFD. 1000 Volts
12816	Capacitor, Mica; .00025 MFD. 1000 Volts
6576	Capacitor, Mica; .0005 MFD., 1000 Volts
10031	Capacitor, Mica; .0003 MFD., 1000 Volts
6593	Capacitor, Mica .006 MFD., 750 Volts
6574	Capacitor, Mica .004 MFD. 750 Volts
6575	Capacitor, Mica .002 MFD., 1000 Volts
5778	Capacitor, .9 MFD. 600 Volt Oil

ALPHABETICAL PARTS LIST (CONTINUED)

<u>Part No.</u>	<u>Nomenclature</u>
8396	Capacitor, 4 MFD. 1000 Volts Oil
5780	Capacitor, .001 MFD. 1000 Volt Mica
6592	Capacitor, Paper .05 MFD., 400 Volts
5779	Capacitor, .05 MFD. 1000 Volts Paper
10379	Capacitor, Paper .02 MFD. - 400 Volts
12822	Capacitor, Paper .02 MFD. - 600 Volts
6573	Capacitor, Paper .01 MFD. 400 Volts
10133	Capacitor, Paper .65 MFD. 400 Volts
6572	Capacitor, Paper .5 MFD. 400 Volts
6591	Capacitor, Paper .2 MFD. 400 Volts
6806	Capacitor, Paper .1 MFD. 400 Volts
6577	Capacitor, Paper 1 MFD. 400 Volts
10134	Capacitor, Paper 1.1 MFD. 400 Volt
7282	Capacitor, Turbine Motor .06-.06 MFD. 250 V.A.C.
8746	Cap, Air Filter
10914	Cap, Bearing
10036	Cap, Grid
7380	Cap, Hub
5786	Cap, Male 3/8" 250 Volts, 10 Amp.
6706	Cap, Polarized
7263	Cap, Radio Headset Bakelite
7048	Cap, Turbine Motor Single Brush Holder
10915	Cap, Worm Bracket & Bearing
10966	Carriage Assembly, Wind Drift Unit
9566	Case Assembly, Artificial Horizon
12833	Case Assembly, Remote Instrument Type C-3 Trainer
8666	Case Assembly, Remote Instruments
11192	Case Assembly, Standardization Remote Instruments
5597	Case, Instrument
8764	Case, Instrument Light
5364	Case, Remote Instruments
5772	Case, Telegon Oscillator
7352	Casing, Turbine Compressor
6846	Castor Oil, 1 oz. Bottle
6675	Catch, Cabinet Spring Plunger
12769	Chassis Assembly, C-3 Radio Control
10350	Chassis Assembly, Desk Power Supply
10234	Chassis Assembly, Fuselage Power Supply
10348	Chassis Assembly, Type C-5 Control
7734	Chassis, Radio Control
6588	Choke, Filter
6710	Clamp, Cable 5/8"

ALPHABETICAL PARTS LIST (CONTINUED)

<u>Part No.</u>	<u>Nomenclature</u>
10079	Clamp, Cable
C-4018	Clamp, Control Wheel Pulley Cable
10019	Clamp, Gonio Mounting
7028	Clamp, 15/16" I. D. Hose
6671	Clamp, 1-1/8" Dia. Hose
9444	Clamp, Recorder Wire
10245	Clasp, Cabinet Fastener
9474	Clevis, Turning Motor Bank Arm
	Climb-Dive Tank Protective Sack & Apron Octagon Skirt and Pitot Lamp
9056	Clip, Auto. Recorder Drive Gear
C-2797	Clip, Auto. Recorder Wires
10224	Clip, Cable
10162	Clip, Capacitor Mounting
8048	Clip, Desk Cable
5433	Clip, Fuselage Control Box Cable
9061	Clip, Spring (.187" x .020")
9069	Clip, Spring (.125" x .020")
9093	Clip, Spring (.281" x .020")
6744	Clip, Terminal Bernard #81, 5/32" Hole
9129	Clip, Tubing
6870	Cock, Shut-Off (3/16" Compression Double)
10033	Coil, Amplifier
10032	Coil, Oscillator
6966	Coil, Solenoid
10594	Collar, 3/16" Shaft
2032	Collar, 1/2" Set
2043	Collar, 5/8" Set
2052	Collar, 3/8" Set
2072	Collar, 3/4" Set
9527	Collar, Artificial Horizon Dash Pot Piston Actuating Rod
9479	Collar, Turning Motor Bank
5130	Collector Assembly
7450	Collector Assembly
C-2739	Collector Assembly, Automatic Recorder
7290	Collector Assembly, Automatic Recorder
5446	Collector Assembly, Type "C" Trainer
8994	Column & Bearing Assembly, Control Wheel
C-4003	Column, Control Wheel
8719	Compensator Assembly
C-2093	Compensator Assembly, Rudder Valve
8728	Compensator Assembly, Valve
7787	Condensor, Mica - .0015 MFD. - 600 Volts
7045	Connection, 1/4" Compression

ALPHABETICAL PARTS LIST (CONTINUED)

<u>Part No.</u>	<u>Nomenclature</u>
7046	Connection, 3/16" Compression
10177	Connector, 2 Contact Chassis Type Socket
10121	Connector, 2 Contact, Female, Chassis Type
10113	Connector, 4 Contact Chassis Type Plug
10176	Connector, 4 Contact Chassis Type Socket
10015	Connector, 12 Contact Chassis Type Plug
10111	Connector, 12 Contact Chassis Type Socket
10174	Connector, 33 Contact Center Clamp Socket
10173	Connector, 33 Contact Chassis Type Plug
10175	Connector, 33 Contact End Clamp Socket
5587	Connector, 6 Pole Cable
10758	Connector Assembly, Flexible Shaft
11087	Connector Assembly, Gyro and Turn Indicator Valve
7752	Connector Assembly, Radio Compass Transmitter
11209	Connector Assembly, Tachometer
10989	Connector Assembly, Wind Velocity
6733	Connector, Automatic Recorder Cable
6698	Connector, Cable
10249	Connector, Cable 90°
12797	Connector, Cable #1 Polarization
12799	Connector, Cable Rev. #2 Polarization
7039	Connector, Directional Gyro Flex.
10017	Connector, Plug 4 Contact
17101	Connector Plug, 6 Contact Chassis Type
10112	Connector, Plug-12 Contact
11404	Connector, 4 Pole Amphenol
10792	Connector, Remote Control
6730	Connector, Remote Instrument Case Cable
10016	Connector, Socket 4 Contact
17114	Connector, Socket 8 Contact
10014	Connector, Socket - 12 Contact
7197	Connector, Stall Valve Elbow
6696	Connector, Straight Conduit
6697	Connector, Universal Conduit
5721	Contact Assembly, Call - Front
5722	Contact Assembly, Call - Rear
5751	Contact Assembly, Compass Defl'r Switch
11001	Contact Assembly, Ground Speed Time
5723	Contact Assembly, Interlock
5745	Contact Assembly, Switching
6963	Contact, Interlocked Moving
6964	Contact, Interlocked Stationary
6865	Contact, Magnetic Switch Movable

ALPHABETICAL PARTS LIST (CONTINUED)

<u>Part No.</u>	<u>Nomenclature</u>
6866	Contact, Magnetic Switch Stationary
6707	Contactoꝛ
10556	Control Assembly, Electric Throttle
C-2805	Control Assembly, Radio Compass
C-4001	Control Assembly, Wheel
8139	Control Assembly, Wheel
8315	Control, Beam Shift Type C
8316	Control, Beam Shift Type D
C-4002	Control, Column and Wheel Assembly
7054	Cord, Microphone
7052	Cord, Radio Headset
10056	Cord, 1/32" Dia Wire
10763	Coupling Assembly, Drive
6934	Coupling, Belt
7394	Cover
9561	Cover and Dial Assembly, Artificial Horizon
7736	Cover Assembly, Base Teletorque Housing
7692	Cover Assembly, Electrical Parts, Fuselage Control Box
4689	Cover Assembly, Fuselage Control Box
10091	Cover Assembly, Gonio C-5 Transmitter
5582	Cover Assembly, Rear
11024	Cover Assembly, Wind Drift Unit End
7712	Cover, Base Teletorque Housing
8963	Cover, Control Vertical Bracket
C-2823	Cover, Radio Compass Control
10791	Cover, Remote Control Dial
7698	Cover, Selector Switch
8574	Cover, Throttle
8588	Cover, Transmitting Key
9465	Cover, Valve Slide
11026	Cover, Wind Drift Unit Connector Side
11027	Cover, Wind Drift Unit Throttle
11025	Cover, Wind Drift Unit Top
8868	Crank, Rough - Air Regulator
1004	Cross, Base
10320	Cross Loop Assembly
	Cross Pointer Indicator (Model 635 Type 11)
1502	Cross, Turntable
8745	Cup, Air Filter
7377	Cup, Grease
7387	Cup with Elbow, Grease
	C-5 Trainer Sub-Assembly & Cable Layout

ALPHABETICAL PARTS LIST (CONTINUED)

<u>Part No.</u>	<u>Nomenclature</u>
5851	Deflector Assembly
9633	Deflector Assem., English "D" Compass
7074	Deflector 14" Turbo-Compressor Inner
7075	Deflector, 14" Turbo-Compressor Outer
	Desk Drawer (Minus Radio and Keyer)
5607	Dial
9518	Dial, Artificial Horizon Bezel Face
9522	Dial Assembly, Artificial Horizon Horizon
5044	Dial Assembly, Marker Beacon Indicator
10636	Dial, Remote Control Wind Direction
10637	Dial, Remote Control Wind Velocity
10596	Differential Assembly, Ground Speed
	Directional Control
	Directional Gyro
10580	Drive Assembly, Direction Control
10770	Drive Assembly, Remote Control
10930	Drive Assembly, Right Angle
11060	Drive Assembly, Right Angle Control
7170	Drive, Planetary Vernier
6958	Dropper, Medicine
5466	Elbow, 3/16"
8087	Elbow, 3/16" I.D. x 1/4" O.D. 90°
8088	Elbow, 5/16" I.D. x 3/8" O.D. 90°
8086	Elbow, 1/8" I.D. x 5/32" O.D. 90°
7215	Elbow, One 3/16" Tube x 1/8" Pipe Thread
10852	Elbow Assembly, Air Conductor C-3 Trainer
5528	Elbow Assembly, Air Conductor
8748	Elbow Assembly, Transfer
10720	Elbow Assembly, Transfer Type C-3 & C-5
1518	Elbow, Bellows
C-2676	Elbow, Spin Trip Bellows
1555	Elbow, Turning Motor Bellows
7716	Eye Bolt, #8-32 x 2-1/4" Steel Cad. Plt.
8698	Fan, Ventilating
9187	Fan, Ventilating
	Filter Assembly, (PB-16051)
5566	Filter Assembly, Air
11114	Filter Assembly, Air Speed Air
11115	Filter Assembly, Tachometer Air
7392	Filterette, Deutchman-To be Type A-2-F
6371	Fitting, 1/8" Pipe Thread Angle
9039	Fitting Assembly, Air Speed Instrument
	Capillary Tube

ALPHABETICAL PARTS LIST (CONTINUED)

<u>Part No.</u>	<u>Nomenclature</u>
5079	Fitting Assembly, Capillary Tube - Tachometer
7659	Fitting Assembly, Climb - Dive Valve
7360	Flange, Intake
8923	Flap Assembly, Rough-Air Valve
8290	Flap, Bellows Release Pitching and Banking
9513	Frame, Artificial Horizon
5784	Fuse, 3 Ampere
6622	Fuse, 3 Amp. Plug Type
9423	Fuse, 6 Amp. Plug Type
7362	Gasket, Flange
7359	Gasket, Turbo-Compressor End Head
12043	Gear, 48 Pitch - 72 Teeth
10809	Gear, 48 Pitch - 144 Teeth
10749	Gear, 48 Pitch - 60 Teeth
10638	Gear Assembly, Electric Throttle Control
9618	Gear Assembly, Rough Air Cam Shaft
9068	Gear Assembly, Rough Air Intermediate Drive
11035	Gear Assembly, Time Shaft Drive
9454	Gear, Auto. Recorder Drive
9054	Gear, Auto. Recorder Drive Type C-3 Trainer
8782	Gear, Auto. Recorder Drive
C-2778	Gear, Autosyn Motor Drive
5018	Gear, Autosyn Motor Driven
8730	Gear, Autosyn Pick-Up
7737	Gear, Base Teletorque Housing Drive
C-4008	Gear, Control Wheel Shaft
10635	Gear, Drive
1549	Gear, Front Shaft - Bottom
1548	Gear, Frontshaft - Top
10781	Gear, Remote Control Intermediate
5891	Gear, 11 Tooth, Telechron Motor Drive
5051	Gear, 12 Tooth, Telechron Motor Drive
1552	Gear, Top Turn Motor Shaft
1550	Gear, Turning Motor Crankshaft
C-2095	Generator Assembly, Rough Air
9502	Glass, Artificial Horizon Bezel
10346	Gonio Assembly
7821	Granules, Carbon
6945	Grip, Control Stick
6579	Grommet, Insulated 5/16" I.D. x 1/2" O.D.
10087	Grommet, Rubber 1/8" I.D. x 1/4" O.D.
10086	Grommet, 3/16" I.D. x 15/32" O.D. Rubber
10195	Grommet, 1/4" I.D. x 11/32" O.D. Rubber
10226	Grommet, 1/4" I.D. x 5/8" O.D. Rubber

ALPHABETICAL PARTS LIST (CONTINUED)

<u>Part No.</u>	<u>Nomenclature</u>
12821	Grommet, 1/2" Dia. Hole - 13/64" Dia. Groove- 1-1/16" O. D.
5797	Grommet, Rubber 19/64" I. D. x 7/16" O. D.
5798	Grommet, Rubber 3/8" I. D. x 1/2" O. D.
6194	Grommet, Rubber 3/8" I. D. x 9/16" O. D.
6567	Grommet, Rubber 1/2" Dia. Hole - 3/4" Dia. Groove 1" Outside Diameter
12808	Grommet, Rubber 1-1/8" O. D. x 5/8" I. D.
11835	Guard, Base Terminal Base Lamp
7823	Guard, Lamp
10880	Guide, Runner Nut
7416	Guide, Turning Motor Bank Valve (Bottom)
9463	Guide, Turning Motor Bank Valve (Top)
9470	Gusset, Turning Motor Bank Bellows
7740	Handle, Auto. Recorder
10271	Hanger Assembly, Forward, C-5 Transmitter
10272	Hanger Assembly, Rear, C-5 Transmitter
10845	Hanger, Transfer Elbow
6387	Hasp, Hinge
7079	Head, 14" Turbo-Compressor End
9126	Headphone Assembly, Low Impedance
7135	Head Set Assembly, C-3 Trainer
11205	Head Set Assembly, Standard
7136	Head Set Assembly, Type C,D,E Trainer
6651	Head Set, Radio
6708	Heater, Contactor Unit
6635	Heater, Electrical Space
6388	Hinge, Ornamental
6937	Holder, Marker Beacon Lamp
6916	Holder, Turbine Motor Double Brush
7047	Holder, Turbine Motor Single Brush
9570	Horizon Assembly, Artificial
5601	Horizontal Mechanism
	Hose
8503	Hose, Front Elevator
8504	Hose, Left Aileron
8802	Hose, Manifold to Aileron Valve
8806	Hose, Manifold to Cond. Elbow
8803	Hose, Manifold to Elevator Valve
8804	Hose, Manifold to Rudder Valve
8502	Hose, Rear Elevator and Right Aileron
8536	Hose, Turning Motor - Left
8535	Hose, Turbine Motor - Right
7365	Housing Assembly & Field Winding - Complete
10972	Housing Assembly, Autosyn

ALPHABETICAL PARTS LIST (CONTINUED)

<u>Part No.</u>	<u>Nomenclature</u>
7739	Housing Assembly, Base Teletorque
7640	Housing Assembly, Turning Motor Crankshaft Bearing
C-2733	Housing, Auto. Recorder Bearing
7714	Housing, Base Teletorque
1009	Housing, Bearing
8210	Hub, Autosyn Pick-Up Gear
7072	Impeller, 14" Turbo-Compressor
5036	Indicator Assembly, Marker Beacon
5580	Indicator, Flight Path Type #1
8998	Installation Interchangeable Wheel & Stock Control
9436	Installation, Landing Flap, Propellor Pitch and Under Carriage
12750	Installation, Leveling Device
10556	Insulator, Contact Screw
7741	Insulator, Contact Screw 9/32
5716	Insulator, Contact Screw 15/16"
5717	Insulator, Contact Screw, 3/4"
9330	Insulator, Terminal Block
10044	Insulator, Thru Point Bushing
12731	Jack and Lever Assem., Leveling Device
10415	Jack Assembly, Instructors' Phones and Microphone
10414	Jacks Assembly, Desk Headphones Left
10413	Jacks Assembly, Desk Headphones Right
11203	Jack, 2 Circuit Microphone
6813	Jack, 3 Circuit Microphone
1C192	Jack, Keyer Mount
6502	Jack, Phone Tip
6526	Jack, Phone Tip (Canada)
7206	Jet Assembly, Stall Valve
8758	Jumper, Automatic Recorder Light
8660	Jumper, Base Terminal Box

ALPHABETICAL PARTS LIST (CONTINUED)

<u>Part No.</u>	<u>Nomenclature</u>
6946	Key, #305 Woodruft
8224	Key Assembly, Transmitting
C-4009	Key, Control Wheel Shaft Gear
10481	Keyer Assembly
10445	Keyer Assembly, Complete Type C-5
8170	Keyer Assembly, Link Radio Type "E" 110 V. 60 Cycle
12753	Keyer Assembly, Type "C-3"
8009	Keyer, Link Radio Range Type C, 110 Volt, 60 Cycle
8012	Keyer, Link Radio Range Type D, 110 Volt, 50 Cycle
9542	Knob, Artificial Horizon Airplane Slide
9628	Knob, Azimuth Control
6717	Knob, Control 1-1/2" Round
6721	Knob, Control 19/32" High x 1-1/4" Long
6586	Knob, Control - Bar Type 2-1/4" Long
12737	Knob, Leveling Device Hand Lever
8609	Knob, Throttle
7147	Lamp, 6-8 Volts
7146	Lamp, 7.0 Volt 3 C P
12870	Lamp, 13 Volt 3 C P
6508	Lamp, Bayonet Base, 2 Amp., 25 Volts
6827	Lamp, Miniature
7057	Lamp, 1 Watt 105-125-V-AC-DC
12795	Lamp & Lampholder, Fluorescent
6506	Lamp, Screw Base 14 Volts - 25 Amp. Landing Path Indicator (Model 602 Type 81)
10496	Lead Assembly, Collector to Jones Plug
8260	Lead, Collector to Terminal Block (Long)
8258	Lead, Collector to Terminal Block (Short)
5643	Lead, 1-1/4" Connecting
5644	Lead, 2-1/8" Connecting
5645	Lead, 2-5/8" Connecting
10066	Lead, Gonio Rotor Long
8326	Lever, Aileron Valve Center Leaf
10833	Lever, Air Speed Regulator and Throttle Con- trol Cable

ALPHABETICAL PARTS LIST (CONTINUED)

<u>Part No.</u>	<u>Nomenclature</u>
8581	Lever and Bracket Assembly, Tachometer
8575	Lever and Knob Retainer
9376	Lever and Stud Assembly, Pitch Action
11150	Lever Assembly, Cam
8978	Lever Assembly, Control Lateral
8643	Lever Assembly, Pitch Action
11152	Lever Assembly, Ratchet
C-2677	Lever Assembly, Spin Trip Bellows Lock
5475	Lever Assembly, Stall Valve
7200	Lever Assembly, Stall Valve Pendulum
8648	Lever Assembly, Throttle Inter. (Standard Throttle)
8878	Lever, Bank Turner Inter.
C-2605	Lever, Climb-Dive Valves
2045	Lever, Control Shaft
8964	Lever, Control Lateral Shock Absorber
C-2045	Lever, Front Control Stick Shaft
11086	Lever, Gyro Indicator Valve
12709	Lever, Leveling Device Jack
12710	Lever, Leveling Device Jack Hand
5262	Lever, Rudder & Stick Elevator Simulator
8668	Lever, Spring Comp. Pitch Action Shaft
5550	Lever, Stall Valve Pendulum
9001	Lever, Stall Valve Reg. Pitch
8129	Lever, Torque Shaft Aileron Control
11085	Lever, Turn Indicator Valve
8973	Lever, Vertical Control Shock Absorber
5261	Lever, Wheel Elevator Simulator
2109	Lifter, Rough Air Valve Flap
8158	Light Assembly, Auto. Recorder
C-2237	Light Assembly, Instrument Left
8767	Light Assembly, Instrument Right
8270	Light Shield Assembly, Flight Path
1563	Link, Belt
12711	Link, Leveling Device Jack Lever
5458	Link, Rudder Bar Safety
7704	Link, Rudder Pedal
C-2680	Link, Spin Bellows
7212	Link, Stall Valve
	Magnetic Compass (Type 132-B)
	Main Bellows, Turbine, Spindle and Collector Ring Assembly
5533	Manifold Assembly

ALPHABETICAL PARTS LIST (CONTINUED)

<u>Part No.</u>	<u>Nomenclature</u>
8058	Marker, Air Speed Cable
8060	Marker, Altimeter Cable
	Marker Beacon Lamp Assembly
6734	Marker, Cable (Negative)
6735	Marker, Cable (Positive)
8059	Marker, Vertical Speed Cable
7340	Mat, Left Floor
8914	Matting, Trainer Floor Right Side
6649	Microphone
7796	Microphone
11257	Microphone Assem., Military Type Hand Special
7138	Microphone Assembly, Type C,D,E Trainer
7137	Microphone Assembly, Type C-3, C-5 Trainer
	Microphone and Head Set Assemblies
10247	Microphone, Military Type Hand Special
6688	Motor, 115V. 60 Cycles Induction
9073	Motor Assembly, Rough Air
C-2120-A	Motor Assembly, Rough Air & Ventilating
8700	Motor Assembly, Telechron 50 Cycle-5/6 R.P.M.
8699	Motor Assembly, Telechron 50 Cycle - 4 R. P. M.
8701	Motor Assembly, Telechron 60 Cycle-1R. P. M.
8703	Motor Assembly, Telechron 60 Cycle -2 R. P. M.
8702	Motor Assembly, Telechron 60 Cycle - 4 R. P. M.
C-1536	Motor Assembly, Turning
7645	Motor Assembly, Turning
9455	Motor Assembly, 50 Cycle 2/3" Per Min.
9245	Motor Assembly, 50 Cycle - 5/6 R. P. M.
9456	Motor Assembly, 60 Cycle - .845" Per Min.
9060	Motor Assembly, 60 Cycle - 1 R. P. M.
10578	Motor, Electric Throttle Control
5734	Motor, Keyer Chassis 110 Volt, 50-60 Cycles
6903	Motor, Spencer Turbine
6782	Motor, Telechron 50 Cycle - 5/6 R. P. M.
6781	Motor, Telechron 50 Cycle - 4 R. P. M.
6783	Motor, Telechron 60 Cycle - 1 R. P. M.
6785	Motor, Telechron 60 Cycle - 2 R. P. M.
6784	Motor, Telechron 60 Cycle - 4 R. P. M.
10715	Motor, Type "BC" Telechron 60 Cycle - 60 R. P. M.
10374	Mount Assembly, Resistor, C-5 Transmitter
C-2658	Mount, Regulator Valve Body
8501	Mount, Turning Motor (Left)
8500	Mount, Turning Motor (Right)

ALPHABETICAL PARTS LIST (CONTINUED)

<u>Part No.</u>	<u>Nomenclature</u>
6043	Nail, #20 (.035) x 3/8" Steel Flat Head Point Hardened
8079	Needle Assembly, Climb Valve
8074	Needle Assembly, Dive Valve
C-2655	Needle, Regulator Valve
5619	Neon Lamp
10728	Nipple Assembly, 3/16 Union
10049	Nut, Anchor #6-32 Tap
8933	Nut, Bellows Ball
6944	Nut, Brass Cap #5/16-18 Chrome Plate
8068	Nut, Climb-Dive Valve Adjusting
6032	Nut, Hexagon Brass #5-40 x 5/16" x 7/64" Bright Dip
6309	Nut, Hexagon Brass #6-32 x 1/4" x 3/32" Cad. Plt.
6027	Nut, Hexagon Brass #6-32 x 5/16" x 7/64" Bright Dip
6605	Nut, Hexagon Brass #10-32 x 3/8" x 1/8" Cad. Plt.
6901	Nut, Hexagon Brass #3/8"-32 x 9/16" x 3/32" Cad. Plt. Double Chamber
6274	Nut, Hexagon Iron #2-56 x 3/16" x 1/16" Cad. Plt.
6002	Nut, Hexagon Iron #4-36 x 1/4" x 3/32" Cad. Plt.
7000	Nut, Hexagon Iron #5-40 x 1/4" x 3/32" Cad. Plt.
6057	Nut, Hexagon Iron #6-32 x 5/16" x 7/64" Cad. Plt.
6009	Nut, Hexagon Iron #8-32 x 11/32" x 1/8" Cad. Plt.
6415	Nut, Hexagon Iron #8-32 x 11/32" x 1/8" Nickel Plated
6015	Nut, Hexagon Iron #10-24 x 3/8" x 1/8" Cad. Plt.
6059	Nut, Hexagon Iron #10-32 x 3/8" x 1/8" Cad. Plt.
6921	Nut, Hexagon Iron #1/4"-20 x 7/16" x 5/32" Cad. Plt.
6055	Nut, Hexagon Iron #1/4"-20 x 7/16" x 3/16" Cad. Plt.
6379	Nut, Hexagon Iron #1/4"-20 x 7/16" x 7/32" Cad. Plt.
6053	Nut, Hexagon Iron #1/4"-28 x 7/16" x 5/32" Cad. Plt.
6541	Nut, Hexagon Iron #5/16"-18 x 9/16" x 17/64" Plain
6922	Nut, Hexagon Iron #5/16"-18 x 9/16" x 7/32" Cad. Plt.
6054	Nut, Hexagon Iron #5/16"-24 x 9/16" x 7/32" Cad. Plt.
6056	Nut, Hexagon Iron #3/8"-16 x 5/8" x 1/4" Cad. Plt.
6277	Nut, Hexagon Iron #3/8"-16 x 11/16" x 1/4" Cad. Plt.
6900	Nut, Hexagon Iron #3/8"-32 x 1/2" x 3/32" Binding
6278	Nut, Hexagon Iron #1/2-20 x 3/4" x 5/16" Cad. Plt.
6555	Nut, Knurled #4-36 x 3/8# Dia. x 9/32" High Brass

ALPHABETICAL PARTS LIST (CONTINUED)

<u>Part No.</u>	<u>Nomenclature</u>
11063	Nut, 5/8"-28 Lock
6525	Nut, Plastic #3/8" x 1/2" #41 Hole
6938	Nut, Plastic 1/4 Dia. x 5/32" #46 Hole
7446	Nut, Plastic .070 Hole x 5/16" x 5/32"
7447	Nut, Plastic .089 Hole x 5/16" x 5/32"
C-2820	Nut, Radio Compass Control Hollow Bolt
10839	Nut, 3/8"-24 Runner
12708	Nut, 3/8" x 16 x 7/8" Sleeve
5107	Nut, Spring Link Regulator
6549	Nut, Square Iron #5/16"-18
7023	Nut, 3/16" Tube Sleeve
C-1500	Octagon Assembly, Turntable
12744	Oil Jack, Leveling Device
7070	Packing, 14" Turbo-Compressor Division Felt Head
7078	Packing, 14" Turbo-Compressor Rope
12807	Panel Assembly, C-3 Remote Instrum. Trans. Mounting
10361	Panel Assembly, Instrument Electric Parts C-5
11173	Panel Assembly, Remote Instrument Transmitter Mounting
7813	Panel and Nut Assembly, Remote Inst. Transmitter Mtg. C-3
8566	Panel, Base (Junction Box)
7798	Panel, Cross Connection Terminal
7797	Panel, Line Connection Terminal
5365	Panel, Remote Instrument
8808	Patch, Bellows Fabric
8807	Patch, Leather
5906	Pawl Assembly, Ratchet
5913	Pawl, Stop
7701	Pedal Assembly, Near Rudder
8549	Pedal Assem., Rudder
7646	Pedestal, Turning Motor
9645	Pedestal, Turning Motor
9510	Pendulum, Artificial Horizon Bank
9523	Pendulum, Artificial Horizon Pitch
C-2686	Pendulum Assembly, Spin Valve
5739	Pin Assembly, Type C Bearing
5115	Pin Auto. Recorder Tracer Wheel
8555	Pin, Base Panel Retainer
6767	Pin, Clevis 3/16" Dia. x 9/32" Cad. Plt.
6529	Pin, Clevis 3/16" Dia. x 17/32" Cad. Plt.
11374	Pin, Clevis .186" - .184" x 9/32"
6771	Pin, 1/4" Dia. x 11/32" Clevis

ALPHABETICAL PARTS LIST (CONTINUED)

<u>Part No.</u>	<u>Nomenclature</u>
C-2040	Pin, Control Stick
5266	Pin, Control Stick Yoke
6031	Pin, Cotter 1/16" Dia. x 1/2" Brass Bright Dip
6061	Pin, Cotter 1/16" Dia. x 3/4" Brass Bright Dip
6051	Pin, Escutcheon #18 x 3/8" Brass Bright Dip
6830	Pin, Groov 1/16" x 5/16" Type #1
6341	Pin, Groov 1/8" x 3/4" Type #1
6600	Pin Groov 1/8" Dia. x 1" Lg. #1 Type
11754	Pin, Groov 3/64" x 1/4" Type 1
12717	Pin, Jack Lever
12727	Pin, Jack Plunger
12739	Pin, Lever Cable
8713	Pin, Rudder Bar Link
8187	Pin, Spin - Trip Toggle Pivot
C-2699	Pin, Straight
10769	Pin, Taper 6/0 x 1/2
6064	Pin, Taper #6/0 x 3/4 Steel Cad. Plt.
6065	Pin, Taper #1 x 3/4" Steel Cad. Plt.
9475	Pin, Turning Motor Bank Flange
1510	Pin, Universal
9467	Pin, Valve .055" Dia. x 5/8" Lg.
10603	Pinion and Gear Assembly, Electric Throttle Control
9451	Pinion Assembly, Auto. Recorder
9452	Pinion Assembly, Auto. Recorder
9050	Pinion Assembly, Auto. Recorder Drive
10719	Pinion, Backlash Motor
8957	Pinion, Control Wheel
	Pipe Plug (O-278)
9562	Piston Assembly, Artificial Horizon Bank Dash Pot
9563	Piston Assembly, Artificial Horizon Pitch Dash Pot
	Pitch Action and Instrument Control System
8653	Pitch Action Assembly
10897	Pivot Assembly, Carriage - Gear
7071	Plate, 14" Turbo-Compressor Division Head Felt Packing
10491	Plate, Army Navy British
9049	Plate and Spindle Assembly, Automatic Recorder Motor Mount.
10669	Plate, Anti-Backlash Motor Mounting
9519	Plate, Artificial Horizon Pendulum Rod
5217	Plate Assembly, Jack Tip (Long)
5218	Plate Assembly, Jack Tip (Short)
12742	Plate Assembly, Leveling Device Mounting

ALPHABETICAL PARTS LIST (CONTINUED)

<u>Part No.</u>	<u>Nomenclature</u>
C-2817	Plate Assembly, Radio Compass Control Top Resistance
C-2813	Plate Assembly, R.C. Control Resistance -B
10214	Plate, Aural Marker, Off-On
C-2732	Plate, Automatic Recorder Bed
5189	Plate, Auto. Rec. Trainer Heading
10009	Plate, Azimuth
10961	Plate, Ball Bearing Retainer
8570	Plate, Base Terminal Switch Name
8693	Plate, Base Terminal Switch Name British Type "D"
8663	Plate, Base Terminal Switch - Type "C"
2223	Plate, Beam Shift Type "C"
5109	Plate, Beam Shift Type "D"
5957	Plate, Beam Shift Type "E"
8235	Plate, Beam Volume
8510	Plate, Belt Tightener Clamp
5196	Plate, Call Signal Switch
12831	Plate, Call - Switch
10156	Plate, Capacitor Mounting Large Metal
10154	Plate, Capacitor Mounting Small Bakelite
10155	Plate, Capacitor Mounting; Small Metal
2222	Plate, Circuit Selector
12757	Plate, Circuit Selector
10206	Plate, Cockpit Lighting
12764	Plate, Compensator "A"- "N"
5192	Plate, Compensator Control
11011	Plate, Contact Mounting
2220	Plate, Course Beam Selector
2221	Plate, Course Beam Volume
5111	Plate, Course Indicator Deflection
10553	Plate, Electric Throttle Contact Support
10493	Plate, Flight Land
5765	Plate, Flight Path Indicator Control
10012	Plate, Frequency Volume
7726	Plate, Glide Path
11090	Plate, Gyro and Turn Indicators Vacuum Shut-Off
10007	Plate, Identification Selector
9364	Plate, Indicator Name
10497	Plate, Inner Marker
12759	Plate, Instrument Landing Marker
12762	Plate, Instrument Landing Marker Switch
10205	Plate, Instrument Lighting
10002	Plate, Interphone Volume
10001	Plate, Keyer Off-On

ALPHABETICAL PARTS LIST (CONTINUED)

<u>Part No.</u>	<u>Nomenclature</u>
7780	Plate, Land Instruments Off-On
10490	Plate, Landing Instrument Zero Set
5201	Plate, Landing Path Control
5191	Plate, Landing Path Indicator Control
10489	Plate, Localizer
5025	Plate, Marker Beacon Control
5110	Plate, Marker Beacon Selector
2218	Plate, Marker Beacon Selector Type C
10004	Plate, Marker Beacon Volume
2219	Plate, Marker Beam Volume
10208	Plate, Marker Selector
10492	Plate, Marker Selector
10000	Plate, Master Off-On
5198	Plate, Microphone - Jack
10216	Plate, Modulation Selector - 4 Position
5023	Plate, Motor Mount Spindle
10008	Plate, Noise Selector
10006	Plate, Noise Volume
8565	Plate, Octagon Stop
7728	Plate, Off - Flight - Land
10498	Plate, Outer Marker
5199	Plate, Phones - Jack
2224	Plate, Phone - Code Volume
8564	Plate, Pilot Light Mounting
7717	Plate, Radio Compass Bearing
5026	Plate, Radio Compass Control
11125	Plate Radio Compass Control Unit
10199	Plate Radio Compass Off-On
5027	Plate, Radio Compass Reverse
10203	Plate, Radio Compass Sensitivity
7763	Plate, Radio Compass Transmitter Teletorque Motor Mounting
8198	Plate, Radio Compass Volume
10198	Plate, Radio Compass Zero Set
10003	Plate, Radio Interphone
10200	Plate, Radio Off-On
12830	Plate, Radio Volume
5200	Plate, Radio Volume Control
7374	Plate, Rear
7239	Plate, Recorder Off-On
C-2657	Plate, Regulator Valve Needle
11122	Plate, Remote Instruments
10201	Plate, Simultaneous Range-Voice

ALPHABETICAL PARTS LIST(CONTINUED)

<u>Part No.</u>	<u>Nomenclature</u>
9449	Plate and Spindle Assembly, Rec. Motor Mount
11173	Plate, Standardization Trainer Auto Rec. Cover
12791	Plate, Station Selector
C-2775	Plate, Telechron Motor Brush
7727	Plate, To-From
10494	Plate, To-From Instrument
10011	Plate, Transmitter Volume
6714	Plate, Turbine Switch Name
7565	Plate, Turning Motor Bank Hanger
10215	Plate, Visual Marker
10213	Plate, Visual Marker, Off-On
12761	Plate, Visual Marker Set
12760	Plate, Voice-Range
6723	Plate, Volume Name
11013	Plate, Wind Drift Unit Base
12758	Plate, Z-Fan Marker
5570	Plug, Air Filter
9077	Plug and Clamp, Instrument Cable Connector
8595	Plug Assembly, Automatic Recorder (Type "C")
8607	Plug Assembly, Automatic Recorder (Type "D")
5622	Plug Assembly, 6 Pole
11185	Plug Assembly, Standardization Automatic Recorder
6732	Plug, Automatic Recorder
11204	Plug, 2 Circuit Microphone
6825	Plug, Double Contact
7386	Plug, Drain
5464	Plug, Instrument Panel
10191	Plug, Keyer Mount
6731	Plug, Remote Instrument Case
7376	Plug, Tachometer
6814	Plug, 3 Way Microphone
5586	Plug, 6 Pole
6693	Plug, 33 Contact
7746	Pointer Assembly, Radio Compass Transmitter
C-2799	Pointer, Radio Compass
C-2824	Pointer, Radio Compass Off Course
10564	Post, Electric Throttle Bearing
5783	Post, Extractor Type Fuse
5849	Post, Standard "C" and "D" Compass Deflector Mounting
6715	Potentiometer, -Wirewound - 30 Ohms

ALPHABETICAL PARTS LIST (CONTINUED)

<u>Part No.</u>	<u>Nomenclature</u>
10197	Potentiometer, Wirewound - 200 Ohms
17057	Potentiometer, Wirewound - 200 Ohms Knob Type
5193	Potentiometer, Wirewound - 200 Ohms
10043	Potentiometer, Transmitter Volume; 1500 Ohms & 200,000 Ohms
6584	Potentiometer, Wirewound 1500 Ohms
7791	Potentiometer, 1500 Ohms & 250,000 Ohms
6594	Potentiometer, 2,000 Ohms
6803	Potentiometer, 2,000 Ohms Switch Type
6716	Potentiometer, 25,000 Ohms
6595	Potentiometer, 50,000 Ohms
10036	Potentiometer, 50,000 Ohms Slotted Type
6585	Potentiometer, 250,000 Ohms
10128	Potentiometer, 250,000 Ohms, Knob Type
6652	Pull, Drawer
8511	Pulley Assembly, Belt Tightner
C-4016	Pulley Assembly, Control Column
10616	Pulley Assembly, Electric Throttle Control Cable
12743	Pulley Assembly, Leveling Device Cable
10922	Pulley Assembly, Throttle Cable Guide
C-4050	Pulley, Torque Shaft Control Wheel
C-1554	Pulley, Turning Motor
10949	Rack Assembly, Ground Speed
10527	Rack, Ground Speed
10521	Rack, Throttled Speed
10475	Radio Assembly
8814	Radio Assembly, Type C & C-2
5216	Radio Assembly, Type D & E
11101	Radio Assembly, Type "E-1"
	Radio Compass (Model 602 Type 59)
	Radio Compass (Model 602 Type 116)
	Radio Compass (Type 780)
10147	Reactor, Filter
10338	Receiver, Spec. Sheet #2 - Radio
12837	Receptacle Assembly, Recorder Plug C-3
10767	Receptacle, Chassis #1 Polarization
12798	Receptacle, Chassis Reversed #2 Polarization
6704	Receptacle, Candelabra
10159	Receptacle, Female
5785	Receptacle, Flush with Plate & Lock Ring
6700	Receptacle, Fuse
6699	Receptacle, Midget Twist Lock Female Base
	Receptacle, (Type AN-3102-14S-SP)
9230	Recorder Assembly, British - WD - Trainer

ALPHABETICAL PARTS LIST (CONTINUED)

<u>Part No.</u>	<u>Nomenclature</u>
11171	Recorder Assembly, Standardization Trainer Automatic
9105	Recorder Assembly, Type "C-3" Auto.
9458	Recorder Assembly, Type "D" 50 Cycle
9457	Recorder Assem., Type "D" 60 Cycle
8376	Recorder Assembly, Type "F" 50 Cycle
9459	Recorder Assem., Type "E" 60 Cycle
9596	Recorder Assembly, Type "E" 60 Cycle Wind Drift
11068	Recorder Assembly, Type "E"-110 Volts, 60 Cycles
5760	Rectifier Assembly, Compass Deflector
5820	Rectifier, Compass Deflector
10150	Rectifier, Copper Oxide
9362	Rectifier, Copper Oxide (GE)
8818	Reducer, Rough Air Elbow
10185	Relay, Fuselage Control Box
10109	Relay, Interphone
12751	Relay, Marker Selector
10110	Relay, Range Switching
12800	Relay, Visual Marker
10102	Relay, Visual Marker C-5
10108	Relay, Voice Range
10782	Remote Control Assembly, Wind Drift
8220	Remote Selector Switch Box Assembly, Type "E" Trainer
12857	Resistor, 1 Megohm - 1/2 Watt
11195	Resistor, 100 Ohms - 10 Watt Wirewound
11256	Resistor, 500 Ohms - 1/2 Watt
10137	Resistor, 1,000 Ohms - 1/2 Watt
10063	Resistor, 2500 Ohms 1/2 Watt
10136	Resistor, 3,000 Ohms - 1/2 Watt
10186	Resistor, 5,000 Ohms - 1/2 Watt
12855	Resistor, 7500 Ohms - 1/2 Watt
12867	Resistor, 10,000 Ohms - 1/2 Watt
10038	Resistor, 25,000 Ohms - 1/2 Watt
10398	Resistor, 30,000 Ohms - 1/2 Watt
10037	Resistor, 40,000 Ohms - 1/2 Watt
10039	Resistor, 50,000 Ohms - 1/2 Watt
10138	Resistor, 100,000 Ohms - 1/2 Watt
10193	Resistor, 250,000 Ohms - 1/2 Watt
12856	Resistor, 500,000 Ohms - 1/2 Watt
6801	Resistor, 50,000 Ohms - 1 Watt
6797	Resistor, 75,000 Ohms, 1 Watt
5787	Resistor, 200,000 Ohms - 1 Watt
5788	Resistor, 400,000 Ohms - 1 Watt
5789	Resistor, 500,000 Ohms - 1 Watt
10333	Resistor, 80,000 Ohms - 2 Watts
10444	Resistor, Assembly, Front

ALPHABETICAL PARTS LIST (CONTINUED)

<u>Part No.</u>	<u>Nomenclature</u>
10377	Resistor Assembly, Left Center
10375	Resistor Assembly, Rear
10376	Resistor Assembly, Right Center
12859	Resistor Assembly, Short Terminal Strip C-3
12850	Resistor Assembly, Terminal Strip
10399	Resistor, Wirewound 25 Ohms - 1/2 Watt
10332	Resistor, Wirewound 400 Ohms - 1/2 Watt
10331	Resistor, Wirewound 700 Ohms - 1/2 Watt
10041	Resistor, Wirewound 250 Ohms - 1 Watt
6765	Resistor, Wirewound 110 Ohms 5.8 - 10.9 Watts
6719	Resistor, 400 Ohms, 10 Watt Wirewound
6596	Resistor, 1500 Ohms, 10 Watt Wirewound
6598	Resistor, 3,000 Ohms, 10 Watt Wirewound
6597	Resistor, 5,000 Ohms, 10 Watt Wirewound
10164	Resistor, Wirewound 25,000 Ohms, 20 Watt
5984	Resistor, Wirewound (Adjustable) 150 Ohms- 25 Watts
10378	Resistor, Wirewound (Adjustable) 1500 Ohms- 25 Watt
5792	Resistor, Wirewound 10,000 Ohms, 25 Watt
5791	Resistor, Wirewound 500 Ohms 50 Watt
7254	Resistor, Wirewound (Adjustable) 750 Ohms, 50 Watt
6599	Resistor, Wirewound 10,000 Ohms, 50 Watt
10152	Resistor, Wirewound, 50,000 Ohms
7384	Retainer
6563	Retainer, Tube Socket
7648	Retainer Turning Motor Bearing
10183	Rheostat, Wirewound; 1 Ohm
9501	Ring, Artificial Horizon Bezel Glass Snap
9550	Ring Assembly, Artificial Horizon Gimbal
7077	Ring, 3/8" x .046" Open Type Retaining
7080	Ring, Turbo-Compressor, End Head
1509	Ring, Universal
9526	Rod, Artificial Horizon Dash Pot Piston Actuating
9524	Rod, Artificial Horizon Pitch Bar Actuating
8348	Rod Assembly, Aileron Valve Control
C-2634	Rod Assembly, Air Speed Bellows
8715	Rod Assembly, Bank Turner Link
8351	Rod Assembly, Bank Turner Walking Beam to Aileron Valve Bellcrank
8340	Rod Assembly, Bellcrank to Aileron Valve
8974	Rod Assembly, Control Lateral Lever Connecting
5636	Rod Assembly, Control Stick Simulator

ALPHABETICAL PARTS LIST (CONTINUED)

<u>Part No.</u>	<u>Nomenclature</u>
8977	Rod Assembly, Control Vertical Adjusting
8988	Rod Assembly, Control Vertical Shock Absorber and Spring
5637	Rod Assembly, Control Wheel Simulator
90017	Rod Assembly, Pitch Action to Throttle
C-3009	Rod Assembly, Pitch Compensator
7685	Rod Assembly, Rudder Simulator
8657	Rod Assembly, Rudder Simulator
8658	Rod Assembly, Spin Trip to Rudder Bar
5524	Rod Assembly, Spin Valve
C-4075	Rod Assembly, Tachometer Control
90016	Rod Assembly, Throttle to Throttle Inter. Lever
8685	Rod Assembly, Valve Push
8714	Rod, Bank Turner Link
8878	Rod, Bank Turner Lower Link
8877	Rod, Bank Turner Upper Link
8482	Rod, Bellcrank to Aileron Valve
8508	Rod, Belt Tightener
8944	Rod, Control Column Link
2179	Rod, Rudder Link
9586	Rod, Spin Valve
7424	Rod, Turning Motor Bank Valve (R.H.)
1540	Rod, Valve Link
C-2752	Roller Assembly, Auto. Recorder Ink
C-4026	Roller, Cable Guide Large
C-4027	Roller, Cable Guide Small
10373	Rotor Assembly, Gonio
	Runway Localizer (Type 118)
11298	Sack Assembly, Glass Jar Protector
5603	Scale, Lower
5604	Scale, Upper
5569	Screen, Air Filter
7202	Seal, Stall Valve Jet
8066	Seat, Climb-Dive Valves
7191	Seat, Stall Valve
8958	Sector, Control Wheel
	Sensitive Altimeter Transmitter and Sensitive Altimeter Indicators
7363	Screw
7370	Screw
7385	Screw
6540	Screw, Allen Head Set #10-24 x 3/16" Cup Pt.
9528	Screw, Artificial Horizon Pivot

ALPHABETICAL PARTS LIST (CONTINUED)

<u>Part No.</u>	<u>Nomenclature</u>
7375	Screw, Attaching
8881	Screw, Bank Turner Inter. Lever Pivot
6889	Screw, Binding Head Type "Z" #2 x 1/8" Cad. Plt.
6123	Screw, Binding Head Type "Z" #2 x 3/16" Nickel Plt.
6384	Screw, Binding Head #8-32 x 3/8" Cad. Plt.
7144	Screw, Bristo Headless I. Set #5/16"; 18 x 1/2" Cup Pt. Hardened
10717	Screw, Bristo Headless I. Set #4-40 x 1/8" Cup Pt. Hardened
7006	Screw, Bristo Headless I. Set #5-40 x 1/8" Cup Pt. Hardened
12062	Screw, Bristo Headless I. Set #5-40 x 3/16" Cup Pt. Hardened
7002	Screw, Bristo Headless I. Set #5-40 x 1/4" Cup Pt. Hardened
11677	Screw, Bristo Headless I. Set #6-32 x 1/8" Cup Pt. Hardened
6354	Screw, Bristo Headless I. Set #8-32 x 3/16" Cup Pt. Hardened
6532	Screw, Bristo Headless I. Set #8-32 x 5/16" Half Dog Pt. Hardened
6025	Screw, Bristo Headless I. Set #10-24 x 3/16" Cup Pt. Hardened
10862	Screw, Bristo Headless I. Set #10-32 x 1/4" Cup Pt. Hardened
6357	Screw, Bristo Headless I. Set #10-32 x 5/16" Cup Pt. Hardened
6711	Screw, Bristo Headless I. Set #1/4"-20 x 3/8" Cup Pt. Hardened
6178	Screw, Bristo Headless I. Set #3/8-16 x 1-1/2" Cup Pt. Hardened
11628	Screw, Bristo Socket Head Cap #5-40 x 3/8"
10520	Screw, Bristo Socket Head Cap #5-40 x 1/2"
8067	Screw, Climb-Dive Valves Seat Clamp
8908	Screw, Compass Deflector Mounting
11015	Screw, Contact Adjusting
5719	Screw, Contact Adjustment
8953	Screw, Control Wheel Sector Pivot
6956	Screw Driver, Compass Compensator
6960	Screw Driver, #2-A Phillips Head
6307	Screw, Fil. H.B.M. #2-64 x 3/16" Black Oxidized Lacquered
7127	Screw, Fil. H.I.M. #5-40 x 1/4" O.H. Cad. Plt.
10606	Screw, Fil. H.I.M. #5-40 x 1/4" O.H. Cad. Plt.
6996	Screw, Fil. H.I.M. #5-40 x 5/16" Cad. Plt.

ALPHABETICAL PARTS LIST (CONTINUED)

<u>Part No.</u>	<u>Nomenclature</u>
6997	Screw, Fil. H.I.M. #5-40 x 1/2" Cad. Plt.
6998	Screw, Fil. H.I.M. #5-40 x 5/8" Cad. Plt.
10757	Screw, Fil. H.I.M. #6-32 x 3/8" Cad. Plt.
10581	Screw, Fil. H.I.M. #6-32 x 1/2" Cad. Plt.
6069	Screw, Fil. H.I.M. #8-32 x 3/8" Cad. Plt.
10804	Screw, Fil. H.I.M. #8-32 x 1/2" Cad. Plt.
10585	Screw, Fil. H.I.M. #8-32 x 5/8" Cad. Plt.
10798	Screw, Fil. H.I.M. #8-32 x 1" Cad. Plt.
10696	Screw, Fil. H.I.M. #10-32 x 3/8" Cad. Plt.
10713	Screw, Fil. H.I.M. #10-32 x 1/2" Cad. Plt.
6953	Screw, Fil. H.I.M. #10-32 x 5/8" Cad. Plt.
6939	Screw, Fil. H.I.M. #10-32 x 2-3/4" Cad. Plt.
6897	Screw, Fil. H.I.M. #1/4-20 x 2" Cad. Plt.
6311	Screw, F.H.B. #4-36 x 1/4" Cad. Plt.
6073	Screw, F.H.I.M. #2-56 x 5/16" Cad. Plt.
6397	Screw, F.H.I.M. # 4-36 x 5/8" Cad. Plt.
7391	Screw, F.H.I.M. #5-40 x 3/4" Cad. Plt.
6562	Screw, F.H.I.M. #6-32 x 1/4" Cad. Plt.
6238	Screw, F.H.I.M. #6-32 x 5/8" Cad. Plt.
6080	Screw, F.H.I.M. #8-32 x 1/2" Cad. Plt.
6070	Screw, F.H.I.M. #8-32 x 1" Cad. Plt.
6079	Screw, F.H.I.M. #10-24 x 1/2" Cad. Plt.
6081	Screw, F.H.I.M. #10-32 x 1/2" Cad. Plt.
7009	Screw, F.H.I.M. #10-32 x 1-1/8" Cad. Plt.
6259	Screw, F.H.I.M. #3 x 3/8" Cad. Plt.
6161	Screw, F.H.I.W. #4 x 3/8" Cad. Plt.
6177	Screw, F.H.I.W. #4 x 1/2" Cad. Plt.
6523	Screw, F.H.I.W. #6-x3/8" Cad. Plt.
6171	Screw, F.H.I.W. #8 x 5/8" Cad. Plt.
6169	Screw, F.H.I.W. #8 x 3/4" Cad. Plt.
6174	Screw, F.H.I.W. #8 x 1" Cad. Plt.
6544	Screw, F.H.I.W. #10 x 1-1/2" Cad. Plt.
6313	Screw, Flight Path Indicator
6905	Screw, Gyro and Horizon Mounting
6034	Screw, H.H.I.C. # 1/4" - 28 x 3/4" Cad. Plt.
6024	Screw, H.H.I.C. #1/4" -20 x 5/8" Cad. Plt.
7093	Screw, H.H.I.C. #1/4-20 x 1-1/4" Cad. Plt.
6949	Screw, H.H.I.C. #1/4"-28 x 5/8" Cad. Plt.
6320	Screw, H.H.I.C. #1/4"-28 x 1" Cad. Plt.
6950	Screw, H.H.I.C. #1/4"-28 x 1-1/4" Cad. Plt.
7081	Screw, H.H.I.C. #5/16"-18 x 3/4" Cad. Plt.
6886	Screw, H.H.I.C. #5/16" -18 x 1-1/4" Cad. Plt.
6321	Screw, H.H.I.C. #3/8" -16 x 5/8" Cad. Plt.
6017	Screw, H.H.I.C. #3/8"-16 x 1" Cad. Plt.
6887	Screw, H.H.I.C. #3/8"-16 x 2-1/4"

ALPHABETICAL PARTS LIST (CONTINUED)

<u>Part No.</u>	<u>Nomenclature</u>
6273	Screw, H.H.I.C. #3/8" -16 x 2-1/2"
6542	Screw, 3/8"-16 x 1-1/4" Hexagon Cap - St. Cad. Plt.
15068	Screw, Hex. Head Steel Cap 3/8" - 16 x 2"
8909	Screw, Instrument Mounting
7017	Screw, Octagon Skirt
6330	Screw, Parker - Kalon Type U-T Drive #00x 1/8" Nickel Plt.
6349	Screw, Parker - Kalon Type "Z" B.H.I. #2 x 1/4" Cad. Plt.
6535	Screw, Parker - Kalon Type U-I Drive R. H. #4 x 1/4"
6350	Screw, Parker - Kalon Type "Z" B.H.I. Self Tapping #4 x 5/16" Cad. Plt.
C-2825	Screw, Radio Compass Pointer Thumb
9075	Screw, Remote Control Dial Cover
8913	Screw, Remote Instrument Case
6211	Screw, R.H.B.M. #4-36 x 1/4" Cad. Plt.
6312	Screw, R.H.B.M. #4-36 x 5/8" White Nickel
6315	Screw, R.H.B.M. #4-36 x 1-1/8" White Nickel
6310	Screw, R.H.B.M. #5-40 x 7/8" Cad. Plt.
6112	Screw, R.H.B.M. #6-32 x 1/4" Bright Dip
6028	Screw, R.H.B.M. #6-32 x 3/4" Bright Dip
6308	Screw, R.H.B.M. #6-32 x 3/4" White Nickel
6762	Screw, R.H.B.M. #6-32 x 7/8" Cad. Plt.
6713	Screw, R.H.B.M. #6-32 x 2-1/2" Bright Dip
6007	Screw, R.H.I.M. #2-56 x 3/16" Cad. Plt.
6105	Screw, R.H.I.M. #2-56 x 1/4" Cad. Plt.
10081	Screw, R.H.I.M. #4-36 x 3/16" Parkerized
10078	Screw, R.H.I.M. #4-36 x 1/4" Parkerized
6001	Screw, R.H.I.M. #4-36 x 3/8" Cad. Plt.
7066	Screw, R.H.I.M. #4-36 x 3/8" Bright Chr. Plate
6225	Screw, R.H.I.M. #4-36 x 1/2" Cad. Plt.
6224	Screw, R.H.I.M. #4-36 x 5/8" Cad. Plt.
12064	Screw, R.H.I.M. #5-40 x 3/16" Cad. Plt.
10544	Screw, R.H.I.M. #5-40 x 1/2" Cad. Plt.
6347	Screw, R.H.I.M. #5-40 x 5/8" Cad. Plt.
6317	Screw, R.H.I.M. #5-40 x 1-1/8" Blved
6086	Screw, R.H.I.M. #6-32 x 3/16" Cad. Plt.
6101	Screw, R.H.I.M. #6-32 x 1/4" Cad. Plt.
10077	Screw, R.H.I.M. #6-32 x 1/4" Parkerized
6326	Screw, R.H.I.M. #6-32 x 5/16" Cad. Plt.
10080	Screw, R.H.I.M. #6-32 x 5/16" Painted
6003	Screw, R.H.I.M. #6-32 x 3/8" Cad. Plt.
6106	Screw, R.H.I.M. #6-32 x 1/2" Cad. Plt.
10082	Screw, R.H.I.M. #6-32 x 5/8" Parkerized

ALPHABETICAL PARTS LIST (CONTINUED)

<u>Part No.</u>	<u>Nomenclature</u>
6221	Screw, R.H.I.M. #6-32 x 3/4" Cad. Plt.
6104	Screw, R.H.I.M. #6-32 x 7/8" Cad. Plt.
6088	Screw, R.H.I.M. #6-32 x 1" Cad. Plt.
6746	Screw, R.H.I.M. #6-32 x 1-1/4" Cad. Plt.
6103	Screw, R.H.I.M. #6-32 x 1-3/4" Cad. Plt.
6352	Screw, R.H.I.M. #6-32 x 2-1/2" Cad. Plt.
9098	Screw, R.H.I.M. #6-32 x 2-1/2" Painted
6115	Screw, R.H.I.M. #8-32 x 3/16" Cad. Plt.
6030	Screw, R.H.I.M. #8-32 x 1/4" Cad. Plt.
9243	Screw, R.H.I.M. #8-32 x 1/4" Painted
6331	Screw, R.H.I.M. #8-32 x 5/16" Cad. Plt.
6008	Screw, R.H.I.M. #8-32 x 3/8" Cad. Plt.
6010	Screw, R.H.I.M. #8-32 x 1/2" Cad. Plt.
6097	Screw, R.H.I.M. #8-32 x 5/8" Cad. Plt.
6099	Screw, R.H.I.M. #8-32 x 3/4" Cad. Plt.
6096	Screw, R.H.I.M. #8-32 x 7/8" Cad. Plt.
6091	Screw, R.H.I.M. #8-32 x 1" Cad. Plt.
6029	Screw, R.H.I.M. #8-32 x 1-1/4" Cad. Plt.
6414	Screw, R.H.I.M. #8-32 x 2" Nickel Plt.
6098	Screw, R.H.I.M. #8-32 x 2" Cad. Plt.
6282	Screw, R.H.I.M. #8-32 x 2-1/4" Cad. Plt.
6799	Screw, R.H.I.M. #8-32 x 2-1/2" Chrome Plt.
6877	Screw, R.H.I.M. #8-32 x 3" Cad. Plt.
7067	Screw, R.H.I.M. #10-24 x 1/2" Chrome Plt.
6107	Screw, R.H.I.M. #10-24 x 1-3/4" Chrome Plt.
7338	Screw, R.H.I.M. #10-24 x 4-1/2" Cad. Plt.
6118	Screw, R.H.I.M. #10-32 x 3/8" Cad. Plt.
6119	Screw, R.H.I.M. #10-32 x 1/2" Cad. Plt.
6291	Screw, R.H.I.M. #10-32 x 5/8" Cad. Plt.
6327	Screw, R.H.I.M. #10-32 x 3/4" Cad. Plt.
6219	Screw, R.H.I.M. #10-32 x 1-1/4" Cad. Plt.
6220	Screw, R.H.I.M. #10-32 x 2-1/2" Cad. Plt.
6217	Screw, R.H.I.M. #1/4"-20 x 5/8" Cad. Plt.
6090	Screw, R.H.I.M. #1/4"-20 x 1" Cad. Plt.
6108	Screw, R.H.I.M. #1/4"-20 x 1-1/4" Cad. Plt.
6089	Screw, R.H.I.M. #1/4"-20 x 1-1/2" Cad. Plt.
6216	Screw, R.H.I.M. #1/4"-20 x 1-3/4" Cad. Plt.
6110	Screw, R.H.I.M. #1/4"-20 x 2" Cad. Plt.
6094	Screw, R.H.I.M. #1/4"-20 x 2-1/4" Cad. Plt.
6130	Screw, R.H.I.W. #2x 1/4" Cad. Plt.
6408	Screw, R.H.I.W. #2 x 1/4" Nickel Plt.
6138	Screw, R.H.I.W. #2 x 3/8" Cad. Plt.
6140	Screw, R.H.I.W. #3 x 3/8" Cad. Plt.
6142	Screw, R.H.I.W. #3 x 1/2" Cad. Plt.

ALPHABETICAL PARTS LIST (CONTINUED)

<u>Part No.</u>	<u>Nomenclature</u>
6410	Screw, R.H.I.W. #3 x 5/8" Nickel Plt.
6124	Screw, R.H.I.W. #4 x 3/8" Cad. Plt.
6127	Screw, R.H.I.W. #4 x 1/2" Cad. Plt.
6411	Screw, R.H.I.W. #4 x 5/8" Nickel Plt.
6133	Screw, R.H.I.W. #4 x 5/8" Cad. Plt.
6147	Screw, R.H.I.W. #5 x 3/8" Cad. Plt.
6148	Screw, R.H.I.W. #5 x 1/2" Cad. Plt.
6144	Screw, R.H.I.W. #5 x 1" Cad. Plt.
6152	Screw, R.H.I.W. #6 x 3/8" Cad. Plt.
6151	Screw, R.H.I.W. #6 x 1/2" Cad. Plt.
6297	Screw, R.H.I.W. #6 x 5/8" Cad. Plt.
6146	Screw, R.H.I.W. #6 x 3/4" Cad. Plt.
6159	Screw, R.H.I.W. #6 x 1" Cad. Plt.
6129	Screw, R.H.I.W. #8 x 1/2" Cad. Plt.
6011	Screw, R.H.I.W. #8 x 3/4" Cad. Plt.
6412	Screw, R.H.I.W. #8 x 3/4" Nickel Plate
6131	Screw, R.H.I.W. #8 x 1" Cad. Plt.
6126	Screw, R.H.I.W. #8 x 1-1/4" Cad. Plt.
6413	Screw, R.H.I.W. #8 x 1-1/4" Nickel Plt.
6149	Screw, R.H.I.W. #8 x 1-1/2" Cad. Plt.
6018	Screw, R.H.I.W. #8 x 1-3/4" Cad. Plt.
6543	Screw, R.H.I.W. #10 x 1" Cad. Plt.
6141	Screw, R.H.I.W. #10 x 1-1/2" Cad. Plt.
6013	Screw, R.H.I.W. #10 x 2" Cad. Plt.
6641	Screw, R. H. Types-Groove #4-40 x 5/16" Cad. Plt.
C-2698A	Screw, Slipstream Simulator Bracket Pivot
6180	Screw, Sq. Head Set #1/4"-20 x 1/2" Hardened
6181	Screw, Sq. Head Set #1/4"-20 x 3/4" Hardened
7307	Screw, Slotted Headless I. Set #8-32 x 3/8" Cup Pt.
8906	Screw, Solenoid Mounting
7211	Screw, Stall Valve Link Stop
7210	Screw, Stall Valve Pendulum Clamp
6995	Screw, St. Side B.H.I.M. #5-40 x 1/4" Cad. Plt.
7010	Screw, St. Side B.H.I.M. #5-40 x 3/16" Cad. Plt.
7037	Screw, St. Side B.H.I.M. #5-40 x 5/16" Cad. Plt.
8577	Screw, Throttle Lever Pivot
8910	Screw, Vibrator Motor and Rectifier Bracket Mounting
7280	Screw, Washer Hd. #5-40 x 15/16"
7281	Screw, Washer Hd. #5-40 x 1-1/16"
6932	Screw-Eye, #216 Bright Steel Wire
C-3004	Screw-Eye, Stall Valve Bellows Arm
C-3005	Screw-Eye, Stall Valve Regulator Compensator Spring
2148	Screw-Eye, Turn Indicator Regulator Spring

ALPHABETICAL PARTS LIST (CONTINUED)

<u>Part No.</u>	<u>Nomenclature</u>
10345	Shaft & Pulley Assembly, Azimuth
10344	Shaft & Pulley Assembly, Gonio Rotor
9544	Shaft Assembly, Artificial Horizon Pitch
8990	Shaft Assembly, Control Drive
8137	Shaft Assembly, Control Stick
10963	Shaft Assembly, Lower Splined
10794	Shaft Assembly, Remote Control Dial
10787	Shaft Assembly, Remote Control Drive
10783	Shaft Assembly, Remote Control Take Off
10946	Shaft Assembly, Rocker Arm
7820	Shaft Assembly, Standardization Trainer Bearing Housing
10970	Shaft Assembly, Timer
10766	Shaft Assembly, Wind Direction Control
9529	Shaft, Artificial Horizon Bank Pendulum
9530	Shaft, Artificial Horizon Gimbal Ring Pivot
5541	Shaft, Bank Turner Torque
C-1011	Shaft, Bearing Housing
C-4028	Shaft, Cable Roller Guide
8138	Shaft, Control Stick
C-2038	Shaft, Control Stick
8951	Shaft, Control Torque
C-4006	Shaft, Control Wheel
8140	Shaft, Control Wheel Torque
C-4049	Shaft, Control Wheel Torque
10565	Shaft, Electric Throttle Pulley
10861	Shaft, Flexible
1547	Shaft, Front Turning Motor
C-4010	Shaft, Pulley and Gear
C-2760	Shaft, Motor Mounting
5024	Shaft, Motor Mount Spindle Plate
5562	Shaft, Pitch Action Torque
1551	Shaft, Rear Turning Motor
C-2098	Shaft, Rough Air Cam
9477	Shaft, Turning Motor Bank Crank
7653	Shaft, Turning Motor - Front
7652	Shaft, Turning Motor - Rear
11034	Shaft, Velocity Control
2030	Shaft, Walking Beam
10756	Shaft, Wind Drift Connector
1006	Sheave, Base
10171	Shelf, Interphone Amplifier
8561	Shim, Turn Table Cross (Left and Right Side)
8562	Shim, Turntable Cross (Rear)

ALPHABETICAL PARTS LIST (CONTINUED)

<u>Part No.</u>	<u>Nomenclature</u>
5689	Shock Absorber
8142	Simulator Assembly, Aileron
5687	Simulator & Lever Assembly, Stick and Rudder
5688	Simulator and Lever Assembly, Wheel Elevator
C-2475	Simulator, Oleo
9148	Skirt Assembly, Octagon
8738	Sleeve, Automatic Recorder Handle
11372	Sleeve, Bearing Housing Tube
10623	Sleeve, Contact Insulating
8950	Sleeve, Control Spring Loading
10948	Sleeve, Ground Speed Rack
2108	Sleeve, Rough Air Valve Flap Lifter
9547	Slide Assembly, Artificial Horizon Airplane
6850	Slide, Desk
1021	Sling, Transfer Elbow
	Snap Ring (Small) PB-17538
	Snap Ring (Large) PB-17539
8236	Socket Assembly, Automatic Recorder Light
5612	Socket Assembly, Lamp
7637	Socket Assembly, Pitot Heater Indicator Lamp
12756	Socket, 8 Contact Black Bakelite
10119	Socket, 9 Contact "Octal Style"
6564	Socket, 4 Contact Standard
6565	Socket, 5 Contact Standard
6826	Socket, Double Contact
6703	Socket, 33 Position
5043	Socket, Marker Beacon Indicator Lamp
9365	Socket, Miniature Bayonet
7636	Socket, Pitot Heater Indicator Lamp
2092	Socket, Rudder Valve
7149	Socket, Single Contact Bayonet
8858	Solenoid, Compass Deflector
9046	Spacer & Spring Assembly, Spin Valve Rod
8602	Spacer, Automatic Recorder Bed Plate
C-2777	Spacer, Automatic Recorder Brush
9059	Spacer, Auto. Recorder Brush Type C-3 Trainer
8805	Spacer, Bellows Bolt
10622	Spacer, .182" x 5/16" x .675"
5813	Spacer, .186" Hole x .032" Wall x .510" -.490" Long
10055	Spacer, 5/32" I.D. x 1/4" Long
8557	Spacer, 11/32" x 5/8" x 3/4"
7781	Spacer, 3/16" I.D. x 5/16" O.D. x 1/2"
7762	Spacer, 3/16" I.D. x 5/16" O.D. x 3/4"
8558	Spacer, 3/8" Dia. x #6-32 x 11/16"

ALPHABETICAL PARTS LIST (CONTINUED)

<u>Part No.</u>	<u>Nomenclature</u>
8556	Spacer, 3/8" Dia. x #8-32 x 7/16"
7814	Spacer, 3/8" Dia. x #6-32 x 27/32"
5491	Spacer, Contact - 1/32"
5492	Spacer, Contact - 1/16"
5493	Spacer, Contact - 1/8"
C-4007	Spacer, Control Wheel Shaft Gear
8594	Spacer, Desk Terminal Block
5730	Spacer, Motor
5591	Spacer, Mounting Bracket
5696	Spacer, Mounting Bracket Type E Keyer
5595	Spacer, Mounting Stud
5487	Spacer, Rudder Simulator
5589	Spacer, Terminal Spring
8520	Spacer, Terminal Strip
7077	Spacer, 14" Turbo-Compressor Flanged
7076	Spacer, 14" Turbo-Compressor Straight
8530	Spacer, Toggle M'T'G Long
8531	Spacer, Toggle M'T'T Short
7650	Spacer, Turning Motor Bearing
8463	Spin Trip Assembly, Bank Turner
C-2749	Spindle Assembly, Ink Wheel (Long)
5215	Spindle Assembly, Ink Wheel (Short)
5599	Spool, Series Resistance
C-2711	Spring Assembly, Air Speed Regulator
5708	Spring Assembly, Center Contact Front
5724	Spring Assembly, Center Contact Rear
11003	Spring Assembly, Lower Contact
5712	Spring Assembly, Outer Contact
C-4080	Spring Assembly, Tachometer Regulator
11010	Spring Assembly, Transfer Contact
5106	Spring, Air Speed Regulator
7759	Spring, Base Teletorque Tension
C-2675	Spring, Bellows Expansion
8956	Spring, Control Loading
7305	Spring, Control Loading (100 lb.)
10552	Spring, Electric Throttle Cam Contact
10567	Spring, Electric Throttle Pulley
8110	Spring, Fuselage Lock Strap
10051	Spring, Gonio Drive Cable Take Up
8766	Spring, Instrument Light
5588	Spring, Lamp Terminal
12738	Spring, Leveling Device Torsion
8757	Spring, Light Housing Retainer
5714	Spring, Outer Contact
5918	Spring, Ratchet Lever

ALPHABETICAL PARTS LIST (CONTINUED)

<u>Part No.</u>	<u>Nomenclature</u>
5919	Spring, Ratchet Pawl
10965	Spring, Rocker Arm
2112	Spring, Rough Air Valve Flap
2026	Spring, Rudder Pedal
C-3006	Spring, Stall Valve Regulator Comp.
5920	Spring, Stop Pawl
5108	Spring, Tachometer Regulator
8669	Spring, Throttle
2149	Spring, Turn Indicator Regulator
C-2619	Spring, Valve Compensator Link
1541	Spring, Valve Link Rod
C-2612	Spring, Valve Push Rod Return
11207	Stand, Desk Microphone
1508	Standard, Universal Long
1511	Standard, Universal Short
5642	Step Assembly
7438	Step Assembly, Trainer
7431	Step, Trainer
C-2037	Stick Assembly, Control
8136	Stick Assembly, Control
8983	Stick Assembly, Control
C-2039	Stick, Control
5578	Stick, Control British
5478	Stop Assembly, Stall Valve Aligning Rod
8329	Stop Aileron Valve
11363	Stop Base Teletorque Unit
C-4047	Stop, Control Wheel Column
C-2607	Stop, Climb-Dive Valves
2070	Stop, Elevator and Aileron Valve
C-2646	Stop, Stall Valve
7213	Stop, Stall Valve Link
5477	Stop, Stall Valve Rod
C-2674	Stop, Spin Trip Bellows
5718	Strap, Contact Adjustment
1562	Strap, Fuselage Lock
5726	Strap, Guard
1524	Strap, Hose Retainer
5264	Strap, Simulator Backing
1542	Strap, Spacer Brace Short
1023	Strap, Transfer Elbow Sling Spring
12763	Strip Assembly, Terminal C-3
5822	Strip, Compass Def. Solenoid Ter.
5795	Strip, 1-Lug Terminal
5794	Strip, 4-Lug Terminal
10142	Strip, Terminal; One Lug and Ground
10158	Strip, Terminal; 4 Lugs and Ground

ALPHABETICAL PARTS LIST (CONTINUED)

<u>Part No.</u>	<u>Nomenclature</u>
10143	Strip, Terminal; 2 Terminal Type
10188	Strip, 4 Terminal
7738	Strip, 6 Terminal
10093	Strip, 10 Terminal
10238	Strip, 12 Terminal
9290	Strut, Cantilever
7745	Stud Assembly, Base Teletorque Adjusting
8969	Stud Assembly, Control Spring Loading Bearing
10978	Stud Assembly, Rocker Arm
10995	Stud, Backlash Idler Gear
8716	Stud, Compensator + Bank Turner Link Rod
8691	Stud, Contactor Mounting
8962	Stud, Control Spring Loading Mounting
C-4045	Stud, Control Column Pivot
C-4025	Stud, Control Column Simulator
C-2822	Stud, Radio Compass Control Brush
C-2679	Stud, Spin Bellows Hinge
10924	Stud, Throttle Cable Guide Pulley
5593	Stud, Type A Mounting
5594	Stud, Type B Mounting
5605	Stud, Type C Mounting
5476	Stud, Pendulum Lever Adjusting
5602	Support, Magnet
8392	Support, Motor Back Hanger
1503	Support, Motor Mount Front
7781	Support, Radio Compass Transmitter Pointer Mounting
5551	Support, Stall Valve Regulator Bellows
2107	Support, Spring Bridge
C-1564	Support, Turning Motor Front Shaft Bearing
C-1565	Support, Turning Motor Rear Shaft Bearing
10730	Support, Wind Drift Unit
5965	Switch Assembly, Automatic Recorder
6621	Switch, 110V. - 60 Cyc. Magnetic
12849	Switch, D.P.D.T. Push Button
7084	Switch, Fluorescent Lamp Starter
10124	Switch, Identification Selector
8620	Switch, Magnetic 110 Volts 50 Cycles
6621	Switch, 110V. - 60 Cyc. Magnetic
10169	Switch, Marker Beacon Selector
7053	Switch Microphone
10130	Switch, Modulation Selector; 4 Position
10126	Switch, Noise Selector
7785	Switch, 3 Positions, 9 Circuits
7786	Switch, 9 Positions, 4 Circuits
6581	Switch, Power

ALPHABETICAL PARTS LIST (CONTINUED)

<u>Part No.</u>	<u>Nomenclature</u>
10127	Switch, Radio Interphone
7139	Switch, Roller Leaf Micro
6791	Switch, Selector
6583	Switch, Selector 3 Circuits - One Section
6582	Switch, Selector 3 Circuits - Two Sections
10189	Switch, Simultaneous Voice Range
8722	Switch, Toggle D.P.D.T.
6702	Switch, D. P. S. T.
7148	Switch, S. P. D. T. Toggle
6701	Switch, S. P. S. T.
6393	Switch, Single Pole Single Throw
10168	Switch, Visual Marker Beacon
8325	Swivel, Bank Turner
2020	Swivel, Rudder Bar Link Rod
9585	Swivel, Rudder Bar Link Rod
8090	Tab, Azimuth
8091	Tab, Azimuth "E"
8092	Tab, Azimuth "S"
8093	Tab, Azimuth "W"
8094	Tab, Azimuth "3"
8095	Tab, Azimuth "6"
8096	Tab, Azimuth "12"
8097	Tab, Azimuth "15"
8098	Tab, Azimuth "21"
8099	Tab, Azimuth "24"
8100	Tab, Azimuth "30"
8101	Tab, Azimuth "33"
90067	Tab, Azimuth (Complete Set)
	Tachometer
6851	Tack #1 White Rubber Bumper
7570	Tank Assembly, Air-Speed
7569	Tank Assembly, Climb-Dive
5805	Telegon Oscillator Assembly
	Telegon Unit (Type 315E-901)
	Telegon Unit (Type 315E-911)
	Telegon Unit (Type 344E-911)
7561	Teletorque, Base Unit
6905	Teletorque Unit
8130	Terminal, Aileron Control Lever Cable
5715	Terminal, Contact
6736	Terminal Lug, Battery Cable Type 9/32" Hole
12851	Terminal, Flat Type #8 Hole Locking

ALPHABETICAL PARTS LIST (CONTINUED)

<u>Part No.</u>	<u>Nomenclature</u>
6694	Terminal, Panel (Cross Connection)
6695	Terminal, Panel Line Connection
5735	Terminal, Phone Tip
6689	Terminal, Ring Type #4 Hole Solder Lug
6740	Terminal, Solder Lug
10052	Terminal, Solder Lug Flat Type #8 Hole
5927	Terminal, Solder Lug #1 #6 Hole
6185	Terminal, Solder Lug #1 #8 Hole
5926	Terminal, Solder Lug #2 #8 Hole
6724	Terminal, Solder Lug Flat Type #6 Hole
6569	Terminal, Solder Lug Flat Type #10 Hole
6661	Terminal Strip, Telegon Connector
5823	Terminal Strip, 4 Terminal
7470	Terminal, 1/8 Taper - Push On
8580	Throttle Assembly
10884	Throttle Sheath Assembly, Wind Drift Unit
8491	Toggle Assembly, Main Bellows
C-2678	Toggle Assembly, Spin Trip Bellows
	Tool Kit
8610	Transformer Assembly, Base Step-Down Power
6709	Transformer, Base Autosyn Supply
7339	Transformer, Constant Voltage
6587	Transformer, Head - Phone Out Put
6684	Transformer, Instrument Lights
10115	Transformer, Interphone Out Put
10161	Transformer, Low Voltage Power
6589	Transformer, Microphone
10114	Transformer, Microphone Input
10116	Transformer, Noise Amplifier Input
2208	Transformer, Oscillation
10098	Transformer, Oscillator
6590	Transformer, Power
10146	Transformer, Power C-5 Trainer
12846	Transformer, Power-Wind Drift.
7772	Transformer, Radio Compass Supply
12796	Transformer, Reactance
5776	Transformer, Telegon Oscillator Oscillation
5775	Transformer, Telegon Oscillator - Output
5774	Transformer, Telegon Oscillator - Power
10095	Transmitter Assembly, C-5 Radio
7765	Transmitter Assembly, Radio Compass
10967	Triangle Assembly, Wind
11381	Tube Assembly, Bearing Housing Shaft
11380	Tube, Autosyn Pick-Up Hub Connecting
5988	Tube, Autosyn Pick-Up Hub to Conductor Elbow

ALPHABETICAL PARTS LIST (CONTINUED)

<u>Part No.</u>	<u>Nomenclature</u>
11378	Tube, Bearing Housing
11379	Tube, Conductor Elbow Connecting
5987	Tube, Transfer Elbow to Turbine Connector
10153	Tube, Type 5T4, Radio
12752	Tube, Type 5Y3, G T/G Radio
10105	Tube, Type -605 - Radio
10034	Tube, Type - 6K-8 Radio
10092	Tube, Type -6N7-Radio
10013	Tube, Type - 6V6 G T/G Radio
5801	Tube, Type - 6L6G - Radio
6780	Tube, Type - 37 - Radio
6777	Tube, Type 80 Radio
5800	Tube, Type 83V-Radio
6776	Tubing (Saturated Slewing)
6739	Tubing, Saturated Slewing .115"-.105" I.D.
9421	Tubing, Turn Indicator Regulator Bellows
7568	Tubing, 5/16" I.D. x 3/32" Wall Transflex Clear
7567	Tubing, 7/32" I.D. x 5/64" Wall Transflex Clear
7566	Tubing, 1/8" O.D. x 1/16" Wall Transflex Clear
8590	Turbine, Compressor
	Turn and Bank Indicators
	Union Cone (800-4)
	Union Nipple (0-278)
	Union Nut (805-4)
1506	Universal Assembly
8335	Valve Assembly, Aileron - Automatic Bank Type
8361	Valve Assembly, Auto. Nose Drop Type Rudder
8080	Valve Assembly, Climb
8691	Valve Assembly, Climb-Dive
8075	Valve Assembly, Dive
C-2066	Valve Assembly, Elevator
C-2105	Valve Assembly, Rough Air
C-2682	Valve Assembly, Spin
7189	Valve Assembly, Stall
5552	Valve Bellows Assembly, Stall
7192	Valve and Bellows Assembly, Stall
5553	Valve Body Assembly, Stall
7422	Valve Assembly, Turning Motor Bank (L.H.)
7564	Valve Assembly, Turning Motor Bank (R.H.)
8070	Valve, Limit
	View of Contact Assemblies
	View of Elevator Walking Beam Assembly
	View of Keyer Parts
5600	Vertical Mechanism

ALPHABETICAL PARTS LIST (CONTINUED)

<u>Part No.</u>	<u>Nomenclature</u>
	Vertical Speed Transmitter and Vertical Speed Indicators
8618	Vibrator Motor Assembly
7373	Washer
7405	Washer
5559	Washer, #6 Plain
6519	Washer, 1/4"
6991	Washer, .130"-.126" x .286"-.270" x .002 Brass
6992	Washer, .130"-.126" x .286"-.270" x .011"-.009" Brass
6993	Washer, .130"-.126" x .286"-.270" x .048"-.043" Brass
6763	Washer, 5/32" x 7/16" O.D. x .049" Brass
6976	Washer, .171"-.169" x 7/16" x 1/32" Brass
6622	Washer, .172"-.169" x 1/2" x .052"-.048" Steel
6978	Washer, .189"-.187" x 3/8" x .002" Brass
6979	Washer, .189"-.187" x 3/8" x 3/64" Brass
6977	Washer, .189"-.187" x 3/8" x .002" Brass
6322	Washer, 3/16" x 3/8" x 1/64" Brass Plain
6323	Washer, .190"-.188" x 3/8" x .064"-.060" Brass
10563	Washer, .192"-.188" x 1-1/4" x .033"-.028" Brass
6374	Washer, 13/64" x 7/16" x 1/16" Brass
6982	Washer, .253"-.251" x 1/2" x .002 Brass
6983	Washer, .253"-.251" x 1/2" x .008" Brass
6985	Washer, .253"-.251" x 1/2" x 1/32" Brass
10073	Washer, 11/16" O.D. x .260" x .051" Brass
6802	Washer, .320"-.315" x 1/2" x .065"-.063" Brass
7060	Washer, .378"-.376" x 9/16" x .063"-.060" Brass
6372	Washer, 25/64" x 3/4" x 1/16" Brass
6377	Washer, 33/64" x 7/8" x 1/16" Brass
6204	Washer, 1/8" x 5/16" x 1/32" Brass Bright Dip
6033	Washer, .130" x 9/32" x .025" Brass Bright Dip
6319	Washer, .130" x 9/32" x .025" Brass Cad. Plt.
6329	Washer, Precision .187" x 5/16" x .064" Brass Cad. Plt.
6520	Washer, 13/64" x 1/4" x .049" Brass Cad. Plt.
7383	Washer, Felt
5824	Washer, Fibre
5826	Washer, 5/16" Dia. Shoulder Fibre
5825	Washer, 7/16" Dia. Shoulder Fibre
9478	Washer, 13/64" I.D. x 3/8" O.D. x 3/64" Fibre

ALPHABETICAL PARTS LIST (CONTINUED)

<u>Part No.</u>	<u>Nomenclature</u>
7128	Washer, #3 Internal Teeth Lock-Steel
6314	Washer, #4 Internal Teeth Lock-Steel
6333	Washer, #6 Internal Teeth Lock-Steel
6334	Washer, #8 Internal Teeth Lock-Steel
6335	Washer, #10 Internal Teeth Lock-Steel
10328	Washer, 3/8" Internal Teeth Lock-Steel
9488	Washer, Leveling Device
10347	Washer, Phenolic "S" Type Socket
8458	Washer, Sheepskin
7382	Washer, Spring
6524	Washer, #8 Spring Steel Lock
6511	Washer, 1/4" Spring Steel Lock
6021	Washer, 5/16" Spring Steel Lock
6318	Washer, 3/8" Spring Steel Lock
6662	Washer, .172"-.169" x 1/2" x .052"-.048" Steel
6325	Washer, 7/16" x 1" x 3/32" Steel Plain
6940	Washer, 33/64" x 15/16" x .002" Steel
9218	Washer, .760"-.755" x 1-1/2" x .002" Steel
6522	Washer, 5/32" x 7/16" x .049" Steel Cad. Plt.
6203	Washer, 11/64" I.D. x 3/8" O.D. x 1/32" Steel Cad. Plt.
6530	Washer, 3/16" x 3/8" x 1/32" Steel Cad. Plt.
6196	Washer, 13/64" x 1/2" x .049" Steel Cad. Plt.
6793	Washer, 17/64" x 25/32" x 3/32"
7649	Washer, 17/64" x 7/8" x 3/32" Steel
6768	Washer, 17/64" x 1/2" x 1/16" Steel Cad. Plt.
6512	Washer, 17/64" x 1-1/8" x 1/16" Steel Cad. Plt.
6198	Washer, 9/32" x 5/8" x .041" Steel Cad. Plt.
6197	Washer, 25/64" x 7/8" x .065" Steel Cad. Plt.
8478	Washer, Wing Butt
9534	Weight, Artificial Horizon Pitch Arm Balance
9535	Weight, Artificial Horizon Gimbal Ring Balance
C-2650	Weight, Stall Valve Lever
8207	Weight, Transmitter and Remote Indicating In- strument Panel Vibrator
9076	Wheel Assembly, Auto. Recorder Drive
8985	Wheel Assembly, Control
C-2751	Wheel, Auto. Recorder Tracer
C-4005	Wheel, Control
	Wind Drift and Associate Units
11000	Wind Drift Unit Assembly, Complete
11012	Window, Top Cover
C-2715	Wire, Air Speed Regulator Spring Link
10064	Wire, #14 (.0641) Dia.
6727	Wire, #18 Gauge-Black Flexible Fixture
6580	Wire, #18 Gauge Flexible Shielded Fixture

ALPHABETICAL PARTS LIST (CONTINUED)

<u>Part No.</u>	<u>Nomenclature</u>
10259	Wire, #20 Stranded Tinned Copper; White-Red Tracer
10260	Wire, #20 Stranded Tinned Copper; White-Blue Tracer
10261	Wire, #20 Stranded Tinned Copper; White-Green Tracer
10264	Wire, #20 Stranded Tinned Copper; White-Brown Tracer
10265	Wire, #20 Stranded Tinned Copper; White-Orange Tracer
10266	Wire, #20 Stranded Tinned Copper; White-Black Tracer
10267	Wire, #20 Stranded Tinned Copper; White
6570	Wire, #20 Waxed Hook-Up
10334	Wire, #22 Magnet
C-4082	Wire, Tachometer Link
10588	Worm, 32 Pitch 4 Thread R. H.
10893	Worm, Direction Control
8026	Wrench, Bellows Nut
6957	Wrench, Bristo Fluted Socket-#5-40 Set Screw
6908	Wrench, Bristo Fluted Socket-#8 Set Screw
6909	Wrench, Bristo Fluted Socket-#10 Set Screw
6910	Wrench, Bristo Fluted Socket-#1/4" Set Screw
6911	Wrench, Bristo Fluted Socket-5/16" Set Screw
6912	Wrench, Bristo Fluted Socket-3/8" Set Screw
C-4029	Yoke, Control Wheel Column
9466	Yoke, Turning Motor Bank Valve
8069	Yoke, Valve Body

90000 Box Assembly, Transformer Interconnector

Part No.	Qty.	Nomenclature
6011	2	Screw, R.H.I.W. #8 x 3/4" Cad. Plt.
6059	1	Nut, Hexagon Iron #10-32 x 3/8" x 1/8" Cad. Plt.
6121	1	Screw, R.H.I.M. #10-32 x 5/16" Cad. Plt.
6143	1	Screw, R.H.I.W. #10 x 5/8" Cad. Plt.
6662	4	Washer, .172"-.169" x 1/2" x .052"-.048" Steel
6738	2	Connector, Flexible Conduit Straight
9411	1	Box, Transformer Interconnector
9412	1	Cover, Transformer Interconnector Box
9413	1	Bracket, Interconnector Box
9414	1	Conduit, Interconnector Box to Base

90001 Drive Assembly, Recorder Motor British

Part No.	Qty.	Nomenclature
6009	1	Nut, Hexagon Iron #8-32 x 11/32" x 1/8" Cad. Plt.
6334	1	Washer, #8 Internal Teeth Lock-Steel
6796	5"	Cord, Cable
6977		Washer, .189"-.187" x 3/8" x .002" Brass
7006	1	Screw, Bristo Headless I. Set #5-40 x 1/8" Cup Pt. Harden
7007	1	Ring, 3/8" x .046" Open Type Retaining
9049	1	Plate and Spindle Assembly, Auto. Rec. Motor Mount
9050	1	Pinion Assembly, Automatic Recorder Drive
9054	1	Gear, Automatic Recorder Drive Type C-3 Trainer
9056	1	Clip, Automatic Recorder Drive Gear
9058	1	Axle, Automatic Recorder Drive Wheel
9061	1	Clip, Spring (.187 x .020)
9076	1	Wheel Assembly, Automatic Recorder Drive

90002 Automatic Recorder Plug-Changeover from
Old Type Yaxley Plug to New Type Jones Plug

Part No.	Qty.	Nomenclature
6101	5	Screw, R.H.I.M. #6-32 x 1/4" Cad. Plt.
6057	5	Nut, Hexagon Iron #6-32 x 5/16" x 7/64" Cad. Plt.
6732	1	Plug, Automatic Recorder
6733	1	Connector, Automatic Recorder Cable
9357	1	Plate, Automatic Recorder Cable Receptacle
		The following Blue Print to be included:
9356	1	Plate, Automatic Recorder Cover for Service Changeover.

90003 Changeover From Old Type Bank And Turn To Automatic
Nosedrop And Automatic Bank With Turn Mechanism

Part No.	Qty.	Nomenclature
6018	2	Screw, R.H.I.W. #8 x 1 3/4 Cad. Plt.
6031	3	Pin, Cotter 1/16" Dia. x 1/2" Brass Bright Dip
6059	3	Nut, Hexagon Iron #10-32 x 3/8" x 1/8" Cad. Plt.
6131	4	Screw, R.H.I.W. #8 x 1" Cad. Plt.
6149	2	Screw, R.H.I.W. #8 x 1 1/2" Cad. Plt.
6323	3	Washer, .190"-.188" x 3/8" x .064"-.060" Brass
8335	1	Valve Assembly, Aileron Automatic Bank Type
8340	1	Rod Assembly, Bellcrank To Aileron Valve
8346	1	Bracket & Bellcrank Assembly, Aileron Turn Action
8348	1	Rod Assembly, Aileron Valve Control
8351	1	Rod Assembly, Bank Turner Walking Beam To Aileron Valve Bellcrank
8361	1	Valve Assem., Auto. Nosedrop Type Rudder
8364	2	Tee Assembly, Rough Air
8369	1	Hose, Rudder Right Elbow to Rear Bellows Rough Air Line
8370	1	Hose, Rudder Left Elbow to Front Bellows Rough Air Line
8463	1	Spin Trip Assembly, Bank Turner
8371	1	The following Blue Print to be included: Installation Rudder & Aileron Valve

90004 Rough Air Motor-Changeover From Old
Type To New Type Rough Air Motor

Part No.	Qty.	Nomenclature
6094	2	Screw, R.H.I.M. #1/4"-20 x 2 1/4" Cad. Plt.
6198	8	Washer, 9/32" x 5/8" x .041" Steel Cad. Plt.
6921	2	Nut, Hexagon Iron #1/4"-20 x 7/16" x 5/32" Cad. Plt.
9073	1	Motor Assembly, Rough Air

90005 Landing Gear, Propeller Pitch And Flap Control

Part No.	Qty.	Nomenclature
6057	6	Nut, Hexagon Iron #6-32 x 5/16" x 7/64" Cad. Plt.
6088	2	Screw, R.H.I.M. #6-32 x 1" Cad. Plt.
6106	4	Screw, R.H.I.M. #6-32 x 1/2" Cad. Plt.

Continued on the following page.

90005 Landing Gear, Propeller Pitch And Flap Control

Part No.	Qty.	Nomenclature
6138	11	Screw, R.H.I.W. #2 x 3/8" Cad. Plt.
6146	4	Screw, R.H.I.W. #6 x 3/4" Cad. Plt.
6148	3	Screw, R.H.I.W. #5 x 1/2" Cad. Plt.
6297	4	Screw, R.H.I.W. #6 x 5/8" Cad. Plt.
6522	8	Washer, 5/32" x 7/16" x .049" Steel Cad. Plt.
6662	2	Washer, .172"-.169" x 1/2" x .052"-.048" Steel
6989	2	Washer, #6 Spring Steel Lock
7139	1	Switch, Roller Leaf-Micro
7146	3	Lamp, 7.0 Volt 3 C.P.
8821	7	Clip, Tubing
8822	2	Clip, Tubing
9366	1	Bracket, Throttle Switch Mounting
9367	1	Box Assembly, Hood Indicator
9434	1	Box Assembly, Indicator Control
9439	1	Block, Indicator Box Support
9482	1	Cable Assembly, Throttle Switch
		The following Blue Prints to be included:
9436	1	Installation, Landing Flap & Under Carriage
9437	1	Wiring Diagram, Indicator Installation

90006 Stick & Rudder Simulators-Changeover From
Piston Type To Houde Type Effective on Link
Trainer Serial No's 93-130 Incl.

Part No.	Qty.	Nomenclature
5263	1	Bracket, Control Stick Simulator
5264	1	Strap, Simulator Backing
5265	1	Bushing, Control Stick Yoke Pin
5266	1	Pin, Control Stick Yoke
5459	1	Cable Asssembly, Rudder Pedal Left
5487	1	Spacer, Rudder Simulator
5524	1	Rod Assembly, Spin Valve
5636	1	Rod Assembly, Control Stick Simulator
5687	2	Simulator & Lever Assembly, Stick & Rudder
6009	2	Nut, Hexagon Iron #8-32 x 11/32" x 1/8" Cad. Plt.
6031	12	Pin, Cotter 1/16" Dia. x 1/2" Brass Bright Dip
6053	3	Nut, Hexagon Iron #1/4"-28 x 7/16" x 5/32" Cad. Plt.
6059	2	Nut, Hexagon Iron #10-32 x 3/8" x 1/8" Cad. Plt.
6091	2	Screw, R.H.I.M. #8-32 x 1" Cad. Plt.
6198	4	Washer, 9/32" x 5/8" x .041" Steel Cad. Plt.
6273	2	Screw, H.H.I. Cap #3/8"-16 x 2 1/2" Cad. Plt.
6277	2	Nut, Hexagon Iron #3/8"-16 x 11/16" x 1/4" Cad. Plt.

90006 Stick & Rudder Simulators-Changeover From
Piston Type To Houde Type Effective on Link
Trainer Serial No's 93-130 Incl.

Part No.	Qty.	Nomenclature
6320	2	Screw, H.H.I.Cap 1/4"-28 x 1" Cad. Plt.
6321	2	Screw, H.H.I.C. 3/8"-16 x 5/8" Cad. Plt.
6322	4	Washer, Plain 3/16" x 3/8" x 1/64" Brass
6323	2	Washer, .190"-.188" x 3/8" x .064"-.060" Brass
6374	2	Washer, 13/64" x 7/16" x 1/16" Brass
6662	4	Washer, .172"-.169" x 1/2" x .052"-.048" Steel
8654	1	Bar Assembly, Rudder Complete
8657	1	Rod Assembly, Rudder Simulator
8658	1	Rod Assembly, Spin Trip To Rudder Bar
9046	1	Spacer & Spring Assembly, Spin Valve Rod
		The following Blue Prints to be included:
C-2037	1	Stick Assembly, Control
C-2233	1	Installation, Floor View
8993	1	Installation Floor View, Wheel Control Trainer
8136	1	Stick Assembly, Control
8654	1	Bar Assembly, Rudder Complete
8269	1	Layout, Fuselage Floor Drilling

90007 Wheel Control Simulator-Changeover
From Piston Type To Houde Type

Part No.	Qty.	Nomenclature
5637	1	Rod Assembly, Control Wheel Simulator
5688	1	Simulator & Lever Assembly, Wheel Elevator
6031	1	Pin, Cotter 1/16" Dia. x 1/2" Brass Bright Dip
6034	4	Screw, H.H.I.C., 1/4"-28 x 3/4" Cad. Plt.
6053	1	Nut, Hexagon Iron #1/4"-28 x 7/16" x 5/32" Cad. Plt.
6055	4	Nut, Hexagon Iron #1/4"-20 x 7/16" x 3/16" Cad. Plt.
6198	4	Washer, 9/32" x 5/8" x .041" Steel Cad. Plt.
6277	2	Nut, Hexagon Iron #3/8"-16" x 11/16" x 1/4" Cad. Plt.
6318	2	Washer, 3/8" Spring Steel Lock
6520	2	Washer, 13/64" x 1/2" x .049" Brass Cad. Plt.
6887	2	Screw, Hex. Hd. Cap #3/8"-16 x 2 1/4" Cad. Plt.
		The following Blue Prints to be included:
C-4001	1	Control Assembly, Wheel
8141	1	Installation, Wheel Control

90008 Stick Control (Internal) -Changeover
From Old Type Stick Control To
Interchangeable Wheel & Stick

Part No.	Qty.	Nomenclature
5483	1	Angle, Simulator Reinforcing
6053	3	Nut, Hexagon Iron #1/4"-28 x 7/16" x 5/32" Cad. Plt.
6055	4	Nut, Hexagon Iron #1/4"-20 x 7/16" x 3/16" Cad. Plt.
6094	2	Screw, R.H.I.M. #1/4"-20 x 2 1/4" Cad. Plt.
6198	4	Washer, 9/32" x 5/8" x .041" Steel Cad. Plt.
6277	2	Nut, Hexagon Iron #3/8"-16 x 1 1/16" x 1/4" Cad. Plt.
6318	2	Washer, 3/8" Spring Steel Lock
6887	2	Screw, Hex.Hd. Cap #3/8"-16 x 2 1/4" Cad. Plt.
6949	2	Screw, H.H.I.C. #1/4"-28 x 5/8" Cad. Plt.
8951	1	Shaft, Control Torque
8963	1	Cover, Control Vertical Bracket
8973	1	Lever, Vertical Control Shock Absorber
8976	1	Rod Assembly, Elevator Valve Actuating
8983	1	Stick Assembly, Control
8984	1	Column Assembly, Control Wheel
8986	1	Control Assembly, Interchangeable Wheel & Stick
8988	1	Rod Assembly, Control Vertical Shock Absorber & Spring
		The following Blue Print to be included:
8998	1	Installation, Interchangeable Wheel & Stick Control

90009 Stick Control Simulator-Changeover
From Piston Type To Houde Type

Part No.	Qty.	Nomenclature
5263	1	Bracket, Control Stick Simulator
5265	1	Bushing, Control Stick Yoke Pin
5266	1	Pin, Control Stick Yoke
5636	1	Rod Assembly, Control Stick Simulator
5687	1	Simulator & Lever Assembly, Stick & Rudder
6031	4	Pin, Cotter 1/16" Dia. x 1/2" Brass Bright Dip
6053	1	Nut, Hexagon Iron #1/4"-28 x 7/16" x 5/32" Cad. Plt.
6320	2	Screw, H.H.I.Cap 1/4"-28 x 1" Cad. Plt.
6321	2	Screw, H.H.I.C. 3/8"-16 x 5/8" Cad. Plt.
6322	4	Washer, Plain 3/16" x 3/8" x 1/64" Brass
		The following Blue Print to be included:
8136	1	Stick Assembly, Control

90010 Aileron Control Installation of New
Interchangeable Wheel & Stick In Trainers
With External Type Aileron Contr.

Part No.	Qty.	Nomenclature
2026	2	Spring, Rudder Pedal
C-2159	2	Horn, Elevator
6031	8	Pin, Cotter 1/16" Dia. x 1/2" Brass Bright Dip
6129	8	Screw, R.H.I.W. #8 x 1/2" Cad. Plt.
6519	8	Washer, 1/4"
6529	4	Pin, Clevis 3/16" Dia. x 17/32" Cad. Plt.
6530	2	Washer, 3/16" x 3/8" x 1/32" Steel Cad. Plt.
6532	4	Screw, Bristo Headless I. Set #8-32 x 5/16" Half Dog Pt. Harden
8130	2	Terminal, Aileron Control Lever Cable
12745	2	Cable Assembly, Leveling Device (Right Rear)
L-289	1	The following Blue Print to be included: Installation, Aileron Control

90011 Rudder Simulator-Changeover from Piston Type to Houde Type
Effective on Link Trainer Serial No's 93-130 Incl.

Part No.	Qty.	Nomenclature
5264	1	Strap, Simulator Backing
5459	1	Cable Assembly, Rudder Pedal Left
5487	1	Spacer, Rudder Simulator
5687	1	Simulator & Lever Assembly, Stick & Rudder
6009	2	Nut, Hexagon Iron #8-32 x 11/32" x 1/8" Cad. Plt.
6031	10	Pin, Cotter 1/16" Dia. x 1/2" Brass Bright Dip
6053	2	Nut, Hexagon Iron #1/4"-28 x 7/16" x 5/32" Cad. Plt.
6059	2	Nut, Hexagon Iron #10-32 x 3/8" x 1/8" Cad. Plt.
6091	2	Screw, R.H.I.M. #8-32 x 1" Cad. Plt.
6131	6	Screw, R.H.I.W. #8 x 1" Cad. Plt.
6198	6	Washer, 9/32" x 5/8" x .041" Steel Cad. Plt.
6273	2	Screw, H.H.I.Cap #3/8"-16 x 2 1/2" Cad. Plt.
6277	2	Nut, Hexagon Iron #3/8"-16 x 11/16" x 1/4" Cad. Plt.
6323	2	Washer, .190"-.188" x 3/8" x .064"-.060" Brass
6662	4	Washer, .172"-.169" x 1/2" x .052"-.048" Steel
8657	1	Rod Assembly, Rudder Simulator
8658	1	Rod Assembly, Spin Trip to Rudder Bar
9043	1	Base, Spin Valve
9046	1	Spacer & Spring Assembly, Spin Valve Rod
9584	1	Bar Assembly, Rudder Complete
9586	1	Rod, Spin Valve

Continued on the following page

90011 Rudder Simulator-Changeover from Piston Type to Houde Type
Effective on Link Trainer Serial No's 93-130 Incl.

Part No.	Qty.	Nomenclature
		The following Blue Prints to be included:
C-2233	1	Installation, Floor View
9587	1	Floor View Installation, Standard Wheel & Stick
9584	1	Bar Assembly, Rudder Complete
8269	1	Layout, Fuselage Floor Drilling

90012 Rudder Bar Assembly-Changeover From Old
Type To New Type Complete Rudder Bar
Assembly Effective On Link Trainer No's
93 to 130 Incl.

Part No.	Qty.	Nomenclature
5264	1	Strap, Simulator Backing
5459	1	Cable Assembly, Rudder Pedal Left
5487	1	Spacer, Rudder Simulator
5687	1	Simulator & Lever Assem., Stick & Rudder
6009	2	Nut, Hexagon Iron #8-32 x 11/32" x 1/8" Cad. Plt.
6031	10	Pin, Cotter 1/16" Dia. x 1/2" Brass Bright Dip
6053	2	Nut, Hexagon Iron #1/4"-28 x 7/16" x 5/32" Cad. Plt.
6059	2	Nut, Hexagon Iron #10-32 x 3/8" x 1/8" Cad. Plt.
6091	2	Screw, R.H.I.M. #8-32 x 1" Cad. Plt.
6131	6	Screw, R.H.I.W. #8 x 1" Cad. Plt.
6198	6	Washer, 9/32" x 5/8" x .041" Steel Cad. Plt.
6273	2	Screw, H.H.I. Cap #3/8"-16 x 2 1/2" Cad. Plt.
6277	2	Nut, Hexagon Iron #3/8"-16 x 11/16" x 1/4" Cad. Plt.
6323	2	Washer, .190"-.188" x 3/8" x .064"-.060" Brass
6662	4	Washer, .172"-.169" x 1/2" x .052"-.048" Steel
8657	1	Rod Assembly, Rudder Simulator
8658	1	Rod Assembly, Spin Trip To Rudder Bar
9043	1	Base, Spin Valve
9046	1	Spacer & Spring Assem., Spin Valve Rod
9584	1	Bar Assembly, Rudder Complete
9586	1	Rod, Spin Valve

		The following Blue Prints to be included:
C-2233	1	Installation, Floor View
9587	1	Floor View Installation, Standard Wheel & Stick
9584	1	Bar Assembly, Rudder Complete
8269	1	Layout, Fuselage Floor Drilling

90013 Wheel Control (Internal)-Changeover from Old
Type Wheel Control To Interchangeable Wheel & Stick

Part No.	Qty.	Nomenclature
6053	3	Nut, Hexagon Iron #1/4"-28 x 7/16" x 5/32" Cad. Plt.
6055	4	Nut, Hexagon Iron #1/4"-20 x 7/16" x 3/16" Cad. Plt.
6094	2	Screw, R.H.I.M. #1/4"-20 x 2 1/4" Cad. Plt.
6198	8	Washer, 9/32" x 5/8" x .041" Steel Cad. Plt.
6277	2	Nut, Hexagon Iron #3/8"-16 x 11/16" x 1/4" Cad. Plt.
6318	4	Washer, 3/8" Spring Steel Lock
6387	2	Screw, Hex. Hd. Cap #3/8"-16 x 2 1/4" Cad. Plt.
6949	2	Screw, H.H.I.C. #1/4"-28 x 5/8" Cad. Plt.
8951	1	Shaft-Control Torque
8973	1	Lever-Vertical Control Shock Absorber
8976	1	Rod Assembly, Elevator Valve Actuating
8983	1	Stick Assembly, Control
8984	1	Column Assembly, Control Wheel
8986	1	Control Assembly, Interchangeable Wheel & Stick
8988	1	Rod Assembly, Control Vertical Shock Absorber & Spring

8998 1 The following Blue Prints to be included:
Installation, Interchangeable Wheel & Stick Control

90014 Throttle Installation-Changeover
From Old Type To New Type Throttle

Part No.	Qty.	Nomenclature
6013	2	Screw, R.H.I.W. #10 x 2" Cad. Plt.
6031	4	Pin, Cotter 1/16" Dia. x 1/2" Brass Bright Dip
6053	3	Nut, Hexagon Iron #1/4"-28 x 7/16" x 5/32" Cad. Plt.
6169	3	Screw, F.H.I.W. #8 x 3/4" Cad. Plt.
6171	6	Screw, F.H.I.W. #8 x 5/8" Cad. Plt.
6174	2	Screw, F.H.I.W. #8 x 1" Cad. Plt.
6519	4	Washer, 1/4"
8580	1	Throttle Assembly
8615	1	Block, Throttle Mounting
8643	1	Lever Assembly, Pitch Action
8648	1	Lever Assembly, Throttle Inter. (Standard Throttle)
8651	1	Block Assembly, Throttle Inter. Lever Mounting
90016	1	Rod Assembly, Throttle To Throttle Inter.Lever
90017	1	Rod Assembly, Pitch Action To Throttle

WT6 1 The following Blue Print to be included:
New Design Throttle & Actuating Mechanism

90015 Wheel & Rudder Simulator-Changeover From
Piston Type To Houde Type Effective On Link
Trainer Serial No's 93 To 130 Incl.

Part No.	Qty.	Nomenclature
5264	1	Strap, Simulator Backing
5459	1	Cable Assembly, Rudder Pedal Left
5483	1	Angle, Simulator Reinforcing
5487	1	Spacer, Rudder Simulator
5524	1	Rod Asszembly, Spin Valve
5637	1	Rod Assembly, Control Wheel Simulator
5687	1	Simulator & Lever Assembly-Stick & Rudder
5688	1	Simulator & Lever Assembly-Wheel Elevator
6009	2	Nut, Hexagon Iron #8-32 x 11/32" x 1/8" Cad. Plt.
6031	8	Pin, Cotter 1/16" Dia. x 1/2" Brass Bright Dip
6053	3	Nut, Hexagon Iron #1/4"-28 x 7/16" x 5/32" Cad. Plt.
6055	4	Nut, Hexagon Iron #1/4"-20 x 7/16" x 3/16" Cad. Plt.
6059	2	Nut, Hexagon Iron #10-32 x 3/8" x 1/8" Cad. Plt.
6091	2	Screw, R.H.I.M. #8-32 x 1" Cad. Plt.
6094	4	Screw, R.H.I.M. #1/4"-20 x 2 1/4" Cad. Plt.
6198	10	Washer, 9/32" x 5/8" x .041" Steel Cad. Plt.
6273	2	Screw, H.H.I. Cap #3/8"-16 x 2 1/2" Cad. Plt.
6277	4	Nut, Hexagon Iron #3/8"-16 x 11/16" x 1/4" Cad. Plt.
6318	4	Washer, 3/8" Spring Steel Lock
6323	2	Washer, .190"-.188" x 3/8" x .064"-.060" Brass
6662	2	Washer, .172"-.169" x 1/2" x .052"-.048" Steel
6387	2	Screw, Hex. Hd. Cap #3/8"-16 x 2 1/4" Cad. Plt.
8654	1	Bar Assembly, Rudder Complete
8657	1	Rod Assembly, Rudder Simulator
8658	1	Rod Assembly, Spin Trip To Rudder Bar
9046	1	Spacer & Spring Assembly, Spin Valve Rod
		The following Blue Prints to be included:
C-2233	1	Installation, Floor View
8993	1	Installation Floor View, Wheel Control Trainer
C-3141	1	Installation, Wheel Control
8654	1	Bar Assembly, Rudder Complete
8269	1	Layout Fuselage Floor Drilling

90016 Rod Assembly Throttle
To Throttle Inter. Lever

Part No.	Qty.	Nomenclature
6053	2	Nut, Hexagon Iron #1/4"-28 x 7/16" x 5/32" Cad. Plt.
8641	2	Ball Joint Assembly, 5/16 Shank x 1/4-28 Thread
8652	1	Rod, Throttle to Throttle Inter. Lever

90017 Rod Assembly, Pitch Action To Throttle

Part No.	Qty.	Nomenclature
8053	2	Nut, Hexagon Iron #1/4"-28 x 7/16" x 5/32" Cad. Plt.
8641	2	Ball Joint Assembly, 5/16 Shank x 1/4-28 Thread
8642	1	Rod, Pitch Action to Throttle

90018 Compass Deflector-Changeover From Old Type Vacuum
Compass Deflector To Electrical Type Deflector

Part No.	Qty.	Nomenclature
C-2093	1	Compensator Assembly, Rudder Valve
5760	1	Rectifier Assembly, Compass Deflector
5831	1	Cable Assembly, Rectifier To Rudder Valve
5832	1	Cable Assembly, Rectifier To Deflector Coil Terminal (For British "D" use 8889 instead of 5832)
8889	1	Cable Assembly, Rectifier To Deflector Coil Terminal
5851	1	Deflector Assembly, Compass (For British "D" use 5758 instead of 5851)
5758	1	Deflector Assembly, Compass
6334	2	Washer, #8 Internal Teeth Lock-Steel
6605	2	Nut, Hexagon Brass #10-32 x 3/8" x 1/8" Cad. Plt.
8361	1	Valve Assembly, Rudder Automatic Nose Drop Type
8864	2	Screw, Compass Deflector Mounting
8910	2	Screw, Vibrator Motor and Rectifier Bracket Mounting

The following Blue Prints to be included:

5766	1	(For all models)
C-2189	1	For "C" Trainers
C-2189A	1	For "C" Trainers
8283	1	For "C-2" Trainers
8559	1	For "C-2" Trainers
5460	1	For "D" Trainers
8540	1	For "D" Trainers
5139	1	For British "D" Trainers
8539	1	For British "D" Trainers
8112	1	For "E" Trainers
8552	1	For "E" Trainers

90019 Stall Valve And Bellows Assembly-Changeover
From Old Type To New Type Effective From Link
Trainers Type C-3 #3271-D-2 #3466 E sp. #3406

Part No.	Qty.	Nomenclature
6141	4	Screw, R.H.I.W. #10 x 1 1/2" Cad. Plt.
7023	1	Nut, 3/16" Tube Sleeve
7192	1	Valve And Bellows Assembly, Stall
8083	1	Sleeve, Limit Valve Compression
		The following Blue Prints to be included:
7192	1	Valve and Bellows Assembly, Stall
9587	1	Floor View Installation, Standard Wheel & Stick

90020 Rough Air Spring-Changeover From Old Type
To New Type Effective From Link Trainer #1524

Part No.	Qty.	Nomenclature
2149	1	Spring, Turn Indicator Regulator
6932	2	Screw-Eye, #216 Bright Steel Wire
		The following Blue Prints to be included:
		L 351

90021 Rudder Bar Assembly-Changeover From Obsolete
Type (Part #8654) To New Type (Part #9584)

Part No.	Qty.	Nomenclature
9584	1	Bar Assembly, Rudder Complete
9586	1	Rod, Spin Valve

90022 Wind Drift Device -Parts Needed For
Installation On The Following Type
Trainers C, C-2, C-3, C-5, E, Esp.

Part No.	Qty.	Nomenclature
6010	2	Screw, R.H.I.M. #8-32 x 1/2" Cad. Plt.
6011	3	Screw, R.H.I.W. #8 x 3/4" Cad. Plt.
6024	2	Screw, H.H.I.C. #1/4-20 x 5/8" Cad. Plt.
6115	2	Screw, R.H.I.M. #8-32 x 3/16" Cad. Plt.
6154	1	Screw, R.H.I.W. #12 x 1 1/4" Cad. Plt.
6200	8	Washer, Steel 5/16" x 3/4" x 1/16" Cad. Plt.
6727	14'	Wire, #18 Ga. Black Flexible Fixture
6750	20'	Wire, #18 Ga. Green Flexible Fixture
7007	1	Ring, 3/8 x .046 Open Type Retaining
7055	2	Screw, R.H.I.W. #12 x 1 1/4"
9644	1	Plate for Assembly, Wind Drift
10635	1	Gear, Drive
10720	1	Elbow Assembly, Transfer Type C-3 and C-5
10730	1	Support, Wind Drift Unit
10845	1	Hanger, Transfer Elbow
11000	1	Wind Drift Unit Assembly, Complete

"BASE JUNCTION BOX"

6057	3	Nut, Hexagon Iron #6-32 x 5/16" x 7/64" Cad. Plt.
6101	3	Screw, R.H.I.M. #6-32 x 1/4" Cad. Plt.
6697	1	Connector, Universal Conduit
6922	2	Nut, Hexagon Iron 5/16"-18 x 9/16" x 7/32" Cad. Plt.
9362	1	Rectifier, Copper Oxide (GE)
10162	1	Clip, Capacitor Mounting
10194	1	Capacitor, Electrolytic 50 MFD. 50 Volt
12846	1	Transformer, Wind Drift Power
12862	1	Cable Assembly, Wind Drift To Junction Box C-3

"FUSELAGE"

6131	2	Screw, R.H.I.W. #8 x 1" Cad. Plt.
6354	2	Screw, Bristo Headless I. Set #8-32 x 3/16" Cup Pt. Harden
6908	1	Wrench, Bristo Fluted Socket #8 Set Screw
6957	1	Wrench, Bristo Fluted Socket #5-40 Set Screw
7060	1	Washer, .378"-.376" x 9/16" x .063"-.060" Brass
10827	1	Bracket Assembly, Throttle Switch
10833	1	Lever Assembly, Air Speed Regulator And Throttle Control Cable
10852	1	Elbow Assembly, Air Conductor C-3 And C-5 Trainer
10884	1	Throttle Sheath Assembly, Wind Drift Unit
10927	1	Cable Assembly, (Trainer End) Electric Throttle

Continued on the following page.

90022 Wind Drift Device-Parts Needed For
Installation On The Following Type
Trainers C, C-2, C-3, C-5, E, Esp.

Part No.	Qty.	"DESK"
6174	3	Screw, F.H.I.W. #8 x 1" Cad. Plt.
6261	5	Screw, R.H.I.W. #10 x 1 1/4" Cad. Plt.
9099	1	Filler, British "D" Desk
9108	1	Shield, Floor Cable
10782	1	Remote Control Assembly, Wind Drift
10361	2	Shaft, Flexible

"RECORDER"

9060	2	Motor Assembly, 60 Cycle-1 R.P.M.
		To be included: 1 copy-Link Wind Drift Hand Book

90024 Pitch Action Assembly-Changeover From
Old Assembly (C-2622) To New Assembly (8653)
Effective On Link Trainers Serial #57 to
1144 Except 1141 And 1142.

Part No.	Qty.	Nomenclature
6055	1	Nut, Hexagon Iron #1/4"-20 x 7/16" x 3/16" Cad. Plt.
6059	2	Nut, Hexagon Iron #10-32 x 3/8" x 1/8" Cad. Plt.
6126	1	Screw, R.H.I.W. #8 x 1 1/4" Cad. Plt.
6131	6	Screw, R.H.I.W. #8 x 1" Cad. Plt.
8653	1	Pitch Action Assembly
8716	1	Stud, Compensator and Pank Turner Link Rod
8719	1	Compensator Assembly

90025 Motor Assembly, Telechron 60 Cycle-
2 R.P.M. (For Field Shipment)

Part No.	Qty.	Nomenclature
C-2774	1	Brush Assembly, Telechron Motor
C-2777	2	Spacer, Automatic Recorder Brush
5051	1	Gear, 12 Tooth-Telechron Motor Drive
6003	2	Screw, R.H.I.M. #6-32 x 3/8" Cad. Plt.

Continued on the following page.

90025 Motor Assembly, Telechron 60 Cycle-
2 R.P.M. (For Field Shipment)

Part No.	Qty.	Nomenclature
6104	2	Screw, R.H.I.M. #6-32 x 7/8" Cad. Plt.
6570	4"	Wire, #20 AWG-Single Conductor-Black
6785	1	Motor, Telechron (60 Cycles-2 R.P.M.)

90026 Kit Bellows Patching

Part No.	Qty.	Nomenclature
6847	1	Adhesive, 2 Oz. Bottle
8807	1	Patch, Leather
8808	1	Patch, Bellows Fabric
		To be included:
1		Bulletin No. 9

90027 Shaft & Bellows Assembly (For Field Replacement
On Either Obsolete C-2047 or Active 8463
Bank-Turner Spin Trip Assemblies)

Part No.	Qty.	Nomenclature
C-2669	1	Bellows Assembly, Spin Trip
C-2676	1	Elbow, Spin Trip Bellows
C-2678	1	Toggle Assembly, Spin Trip Bellows
C-2679	2	Stud, Spin Bellows Hinge
6031	2	Pin, Cotter 1/16" Dia. x 1/2" Brass Bright Dip
6140	12	Screw, R.H.I.W. #3 x 3/8" Cad. Plt
6148	6	Screw, R.H.I.W. #5 x 1/2" Cad. Plt.
8187	1	Pin, Spin Trip Toggle Pivot
8457	1	Bellows Assembly, Spin Lower
8459	1	Bellows Assembly, Spin Upper
8461	1	Bracket Assembly, Spin Trip

90028 Motor Assembly, Telechron 60 Cycle-
1 R.P.M. (For Field Shipment)

Part No.	Qty.	Nomenclature
C-2774	1	Brush Assembly, Telechron Motor
C-2777	2	Spacer, Automatic Recorder Brush
5051	1	Gear, 12 Tooth-Telechron Motor Drive
6003	2	Screw, R.H.I.M. #6-32 x 3/8" Cad. Plt.
6104	2	Screw, R.H.I.M. #6-32 x 7/8" Cad. Plt.
6570	4"	Wire, #20 A.W.G.-Single Conductor-Black
6783	1	Motor, Telechron 60 Cycles-1 R.P.M.

90029 Wind Drift Device-Parts Needed For
Installation On The Following Type
Trainers D, D-1, D-2 (50 Cycle)

Part No.	Qty.	Nomenclature
"FOR BASE"		
6003	2	Screw, R.H.I.M. #6-32 x 3/8" Cad. Plt.
6010	2	Screw, R.H.I.M. #8-32 x 1/2" Cad. Plt.
6011	3	Screw, R.H.I.W. #8 x 3/4" Cad. Plt.
6024	2	Screw, H.H.I.C. #1/4-20 x 5/8" Cad. Plt.
6115	2	Screw, R.H.I.M. #8-32 x 3/16" Cad. Plt.
6154	1	Screw, R.H.I.W. #12 x 1 1/4" Cad. Plt.
6200	8	Washer, Steel 5/16" x 3/4" x 1/16" Cad. Plt.
6348	4	Screw, Lag 1/4" x 1 1/2" No Finish
7007	1	Ring Lock, 3/8 x .046" Close Type Retaining
7055	2	Screw, F.H.I.W. #12 x 1 1/4" Cad. Plt.
7060	1	Washer, .378"-.376" x 9/16" x .063"-.060" Brass
9644	1	Plate, #A-2
10635	1	Gear, Drive
10720	1	Elbow Assembly, Transfer Type C-3
10730	1	Support, Wind Drift Unit
10845	1	Hanger, Transfer Elbow
10999	1	British Wind Drift Unit Assembly, Complete

"BASE HEATER"

6011	8	Screw, R.H.I.W. #8 x 3/4" Cad. Plt.
6833	12	Staple, Tack Gun Size #1
6858	12'	Wire, #18 Asbestos Covered Fixture
7184	12	Staple, #6 Insulating
9427	1	Mat, British D-2 Space Heater Rear
9428	1	Mat, British D-2 Space Heater-Side

Continued on the following page

90029 Wind Drift Device-Parts Needed For
Installation On The Following Type
Trainers D, D-1, D-2 (50 Cycle)

Part No.	Qty.	Nomenclature
"BASE JUNCTION BOX"		
6057	3	Nut, Hex. Iron #6-32 x 5/16" x 7/64" Cad. Plt.
6101	3	Screw, R.H.I.M. #6-32 x 1/4" Cad. Plt.
6697	1	Connector, Universal Conduit
6726	18'	Wire, #14 Gauge Flexible Fixture
6922	2	Nut, Hexagon Iron 5/16"-18 x 9/16" x 7/32" Cad. Plt.
6362	1	Rectifier, Copper Oxide
10162	1	Clip, Capacitor Mounting
10194	1	Capacitor, Electrolytic 50 Mfd.-5 Volt
12846	1	Transformer, Wind Drift Power
12862	1	Cable Assembly, Wind Drift To Junction Box C-3
90000	1	Box Assembly, Transformer Interconnector
"FUSELAGE"		
6131	2	Screw, R.H.I.W. #8 x 1" Cad. Plt.
6354	2	Screw, Bristo Headless I. Set #8-32 x 3/16" Cup Pt. Harden
6908	1	Wrench, Bristo Fluted Socket #8 Set Screw
6957	1	Wrench, Bristo Fluted Socket #5-40 Set Screw
10827	1	Bracket Assembly, Throttle Sheath
10833	1	Lever Assembly, Air Speed Regulator & Throttle Control Cable
10852	1	Elbow Assembly, Air Conductor-C-3 Trainer
10884	1	Throttle Sheath Assembly, Wind Drift Unit
10927	1	Cable Assembly, Elect. Throttle (Trainer End)
"DESK"		
6174	3	Screw, F.H.I.W. #8 x 1" Cad. Plt.
6261	5	Screw, R.H.I.W. #10 x 1 1/4" Cad. Plt.
9407	1	Filler-British Desk
9108	1	Shield, Floor Cable
10782	1	Remote Control Assembly, Wind Drift
10861	2	Shaft, Flexible
"RECORDER"		
9245	2	Motor Assembly, Telechron 50 Cycle-5/6 R.P.M.
To Be included:		
1 copy of Installation of Wind Drift Mechanism		

90030 Tool Kit List

Part No.	Qty.	Nomenclature
1541	3	Spring, Valve Link Rod
5106	3	Spring, Air Speed Regulator
5108	3	Spring, Tachometer Regulator
6525	3	Nut, Plastic #3/8" x 1/4" #41 Hole
6538	1	Ball Joint Assembly, 9/16 Shank #10-32 Thread
6745	1	Ball Joint Assembly, 9/16 Shank #1/4-28 Thread
6846	1	Castor Oil, 1 oz. Bottle
6847	1	Stix, Adhesive-2 oz. Bottle
6908	2	Wrench, Bristo Fluted Socket #8 Set Screw
6909	2	Wrench, Bristo Fluted Socket #10 Set Screw
6910	2	Wrench, Bristo Fluted Socket #1/4 Set Screw
6911	2	Wrench, Bristo Fluted Socket #5/16 Set Screw
6912	2	Wrench, Bristo Fluted Socket #3/8 Set Screw
6938	12	Nut, Plastic 1/4" Dia. x 5/32" #46 Hole
6957	2	Wrench, Bristo Fluted Socket #5-40 Set Screw
6958	1	Dropper, Medicine
6959	1	Can, 1/2 oz. Oil
6960	1	Screw Driver #2A Phillips Head
7305	2	Spring, Control Loading (100 Lb.)
7566	24"	Tubing, 1/8 I.D. x 1/16 Wall Transflex Clear
7567	24"	Tubing, 7/32 I.D. x 5/64 Wall Transflex Clear
7568	36"	Tubing, 5/16 I.D. x 3/32 Wall Transflex Clear
8807	1	Patch, Leather
8808	1	Patch, Bellows Fabric

To be included:

1 Bulletin No. 9 Sheet-Instructions for Patching
Bellows Fabric
1 Kollsman Handbook Telegon Instruments Maintenance
1 Handbook of Instructions-Link Trainer

90034 Flight Path and Landing Path, Parts Necessary
For Installation in C-3 Trainer

Part No.	Qty.	Nomenclature
5721	1	Contact Assembly, Call-Front
5957	1	Plate, Beam Shift Type "E"
6057	10	Nut, Hexagon Iron #6-32 x 5/16" x 7/64" Cad.Plt.
6326	10	Screw, R.H.I.M. #6-32 x 5/16" Cad.Plt.
6570	14 Ft.	Wire, #20 Waxed Hook-Up
6577	1	Capacitor, Paper 1 Mfd., 400 Volts
6581	1	Switch, Power
6582	1	Switch, Selector 3 Circuits-Two Sections
6583	2	Switch, Selector 3 Circuits-One Section
6591	1	Capacitor, Paper .2 Mfd., 400 Volts
6684	1	Transformer, Instrument Lights
6716	2	Potentiometer, 25,000 Ohms
6721	5	Knob, Control 19/32" High x 1-1/4" Long
6801	2	Resistor, 50,000 Ohms, 1 Watt
6922	1	Nut, Hexagon Iron 5/16"-18 x 9/16" x 7/32" Cad.Plt.
8316	1	Control, Beam Shift Type D
8909	8	Screw, Instrument Mounting
9362	1	Rectifier, Copper Oxide (GE)
9594	1	Cam Assembly, Type C-3 with Flight Path
9595	1	Cable Assembly, Type C-3 Inst. Panel with Flight Path
10143	1	Strip, Terminal; 2 Terminal Type
10259	5 Ft.	Wire, #20 Stranded Tinned Copper; White-Red Tracer
10260	5 Ft.	Wire, #20 Stranded Tinned Copper; White-Blue Tracer
10261	5 Ft.	Wire, #20 Stranded Tinned Copper; White-Green Tracer
10266	5 Ft.	Wire, #20 Stranded Tinned Copper; White-Black Tracer
12896	1	Plate, Marker Beacon Selector
12897	1	Plate, Flight Path Off-On
12898	2	Plate, Radio Compass & Flight Path Selection
12899	2	Plate, Landing Path
90035	1	Indicator, Flight Path (For Field Shipment or Service Only)
90063	1	Installation Instructions for a Flight Path and Landing Path Indicator in Type C-3 Link Trainer.
	1	Indicator, Landing Path (Model 602, Type 81)

90036 Collector Ring and Bearing Housing Assembly
(For Field Shipment)

Part No.	Qty.	Nomenclature
C-2733	1	Housing, Auto. Recorder Bearing
7290	1	Collector Assembly, Automatic Recorder
12062	2	Screw, Bristo Headless I. Set #5-40 x 3/16" Cup Pt.

90051 Microphone Assembly, Type C, D, E, Trainer

Part No.	Qty.	Nomenclature
5826	1	Washer, Fibre 5/16 Dia. Shoulder
6814	1	Plug, 3 Way Microphone
7796	1	Microphone

90064 Field Installation Automatic Radio Compass
in Type C3 Trainer

Part No.	Qty.	Nomenclature
6008	4	Screw, R.H.I.M. #8-32 x 3/8" Cad.Plt.
6009	4	Nut, Hexagon Iron #8-32 x 11/32" x 1/8" Cad.Plt.
6196	2	Washer, 13/64" x 1/2" x .049" Steel Cad.Plt.
7502	1	Indicator, Automatic Radio Compass
7765	1	Transmitter Assembly, Radio Compass
7772	1	Transformer, Radio Compass Supply
7790	1	Unit Assembly, Base Teletorque
8909	4	Screw, Instrument Mounting
10696	3	Screw, Fil. H.I.M. #10-32 x 3/8" Cad.Plt.
90042	1	Cable Assembly, Desk To Azimuth Control Box A.R.C. Addition To C-3
90043	1	Cable Assembly, A.R.C. To C-3 Inst. Panel
90044	1	Cable Assembly, Base Unit To Slip Rings A.R.C. Addition To C-3
90054	1	Instructions For Field Installation of Automatic Radio Compass In Type C-3 Link Trainer.

90076 Field Installation, Landing Path and Cross
Pointer Indicator in Type C3 Trainer

Part No.	Qty.	Nomenclature
5111	1	Plate, Course Indicator Deflection
5191	2	Plate, Landing Path Indicator Control
5192	1	Plate, Compensator Control
5193	1	Potentiometer, Wirewound 200 Ohms
5765	1	Plate, Flight Path Indicator Control
5795	1	Strip, 1-Lug Terminal
6570	10 Ft.	Wire, #20 Waxed Hook-Up
6581	1	Switch, Power
6584	1	Potentiometer, Wire Wound 1500 Ohms
6684	2	Transformer, Instrument Lights
6716	2	Potentiometer, 25,000 Ohms
6721	5	Knob, Control 19/32" High x 1 1/4" Long
6727	12 Ft.	Wire, #18 Gauge-Black Flexible Fixture
6751	3 Ft.	Wire, #18 Gauge-Orange Flexible Fixture
6752	3 Ft.	Wire, #18 Gauge-Yellow Flexible Fixture
6753	3 Ft.	Wire, #18 Gauge-Red Flexible Fixture
6900	6	Nut, Binding #3/8"-32 x 1/2" x 3/32" Hex.
6901	1	Nut, Double Chamfer #3/8"-32 x 9/16" x 3/32" Hex. Cad.Plt.
8316	1	Control, Beam Shift Type D
9362	2	Rectifier, Copper Oxide (GE)
90077	1	Instructions for installation of a Landing Path and Cross Pointer Indicator in Type C3 Trainer

Instruments

Part No.	Qty.	Nomenclature
	1	Indicator, Cross Pointer (Model 635 Type 11)
	1	Indicator, Landing Path (Model 602 Type 81)

90079 Field Installation Automatic Radio Compass
In Type E-2 Trainer

Part No.	Qty.	Nomenclature
6008	4	Screw, R.H.I.M. #8-32 x 3/8" Cad.Plt.
6009	4	Nut, Hexagon Iron #8-32 x 11/32" x 1/8" Cad.Plt.
6196	2	Washer, 13/64" x 1/2" x .049" Steel Cad.Plt.
6727	10 Ft.	Wire, #18 Gauge Black Flexible Fixture
6748	2 Ft.	Wire, #18 Gauge Blue Flexible Fixture
6749	2 Ft.	Wire, #18 Gauge Gray Flexible Fixture
7502	1	Indicator, Automatic Radio Compass
7765	1	Transmitter Assembly, Radio Compass
7772	1	Transformer, Radio Compass Supply
7790	1	Unit Assembly, Base Teletorque
8909	4	Screw, Instrument Mounting
10411	1	Strip, Terminal 2 Lugs and Ground
10696	3	Screw, Fil. H.I.M. #10-32 x 3/8" Cad.Plt.
90046	1	Cable Assembly, Desk To Azimuth Control Box A.R.C. Addition To Esp.Tr.
90056	1	Cable Assembly, Inst. Panel A.R.C. Addition To E-2 Tr.
90057	1	Cable Assembly, Base Unit To Slip Rings A.R.C. Addition To E-2 Tr.
90080	1	Instructions For Field Installation Of Automatic Radio Compass In Type E-2 Link Trainer.

90086 Field Installations Automatic Radio Compass
In Type E-1 Trainer

Part No.	Qty.	Nomenclature
6008	4	Screw, R.H.I.M. #8-32 x 3/8" Cad.Plt.
6009	4	Nut, Hexagon Iron #8-32 x 11/32" x 1/8" Cad.Plt.
6196	2	Washer, 13/64" x 1/2" x .049" Steel Cad.Plt.
6727	4 Ft.	Wire, #18 Gauge Black Flexible Fixture
7502	1	Indicator, Automatic Radio Compass
7765	1	Transmitter Assembly, Radio Compass
7772	1	Transformer, Radio Compass Supply
7790	1	Unit Assembly, Base Teletorque
8909	4	Screw, Instrument Mounting
10412	1	Strip, Terminal 2 Lugs and Ground
10696	3	Screw, Fil. H.I.M. #10-32 x 3/8" Cad.Plt.

Continued on the following page

90086 Field Installations Automatic Radio Compass
In Type E-1 Trainer

Part No.	Qty.	Nomenclature
90046	1	Cable Assembly, Desk To Azimuth Control Box A.R.C. Addition To Esp. Tr.
90088	1	Cable Assembly, A.R.C. Addition To El Instrument Panel
90057	1	Cable Assembly, Base Unit To Slip Rings A.R.C. Addition To E-2 Trainer
90085	1	Instructions For Field Installation Of Automatic Radio Compass In Type E-1 Link Trainer

90093 Field Installation Automatic Radio Compass
In Type Esp. Trainer With Wind Drift

Part No.	Qty.	Nomenclature
6008	4	Screw, R.H.I.M. #8-32 x 3/8" Cad.Plt.
6009	4	Nut, Hexagon Iron #8-32 x 11/32" x 1/8" Cad.Plt.
6196	2	Washer, 13/64" x 1/2" x .049" Steel Cad.Plt.
6727	10 Ft.	Wire, #18 Gauge Black Flexible Fixture
6750	3 Ft.	Wire, #18 Gauge Green Flexible Fixture
7502	1	Indicator, Automatic Radio Compass
7765	1	Transmitter Assembly, Radio Compass
7772	1	Transformer, Radio Compass Supply
7790	1	Unit Assembly, Base Teletorque
8909	4	Screw, Instrument Mounting
10411	1	Strip, Terminal 2 Lugs and Ground
10696	3	Screw, Fil. H.I.M. #10-32 x 3/8" Cad.Plt.
90046	1	Cable Assembly, Desk To Azimuth Control Box A.R.C. Addition To Esp. Tr.
90047	1	Cable Assembly, Inst. Panel A.R.C. Addition To Esp. Tr.
90048	1	Cable Assem., Base Unit To Slip Rings A.R.C. Addition To Esp. Tr.
90094	1	Instructions For Field Installation Of Automatic Radio Compass In Type Esp. Trainer With Wind Drift

